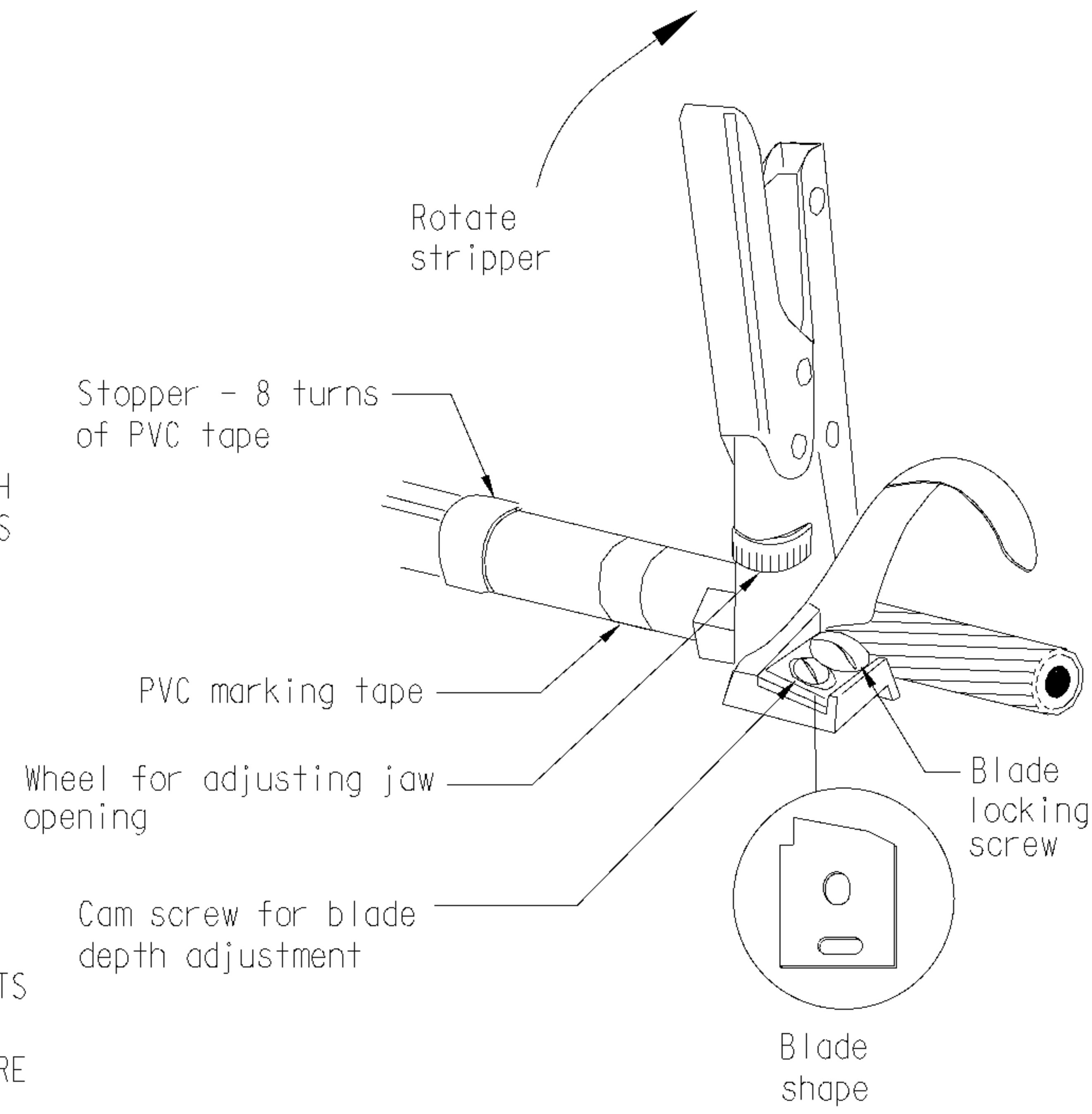


## SHEATH(S) STRIPPING

### HAYCO STRIPPER

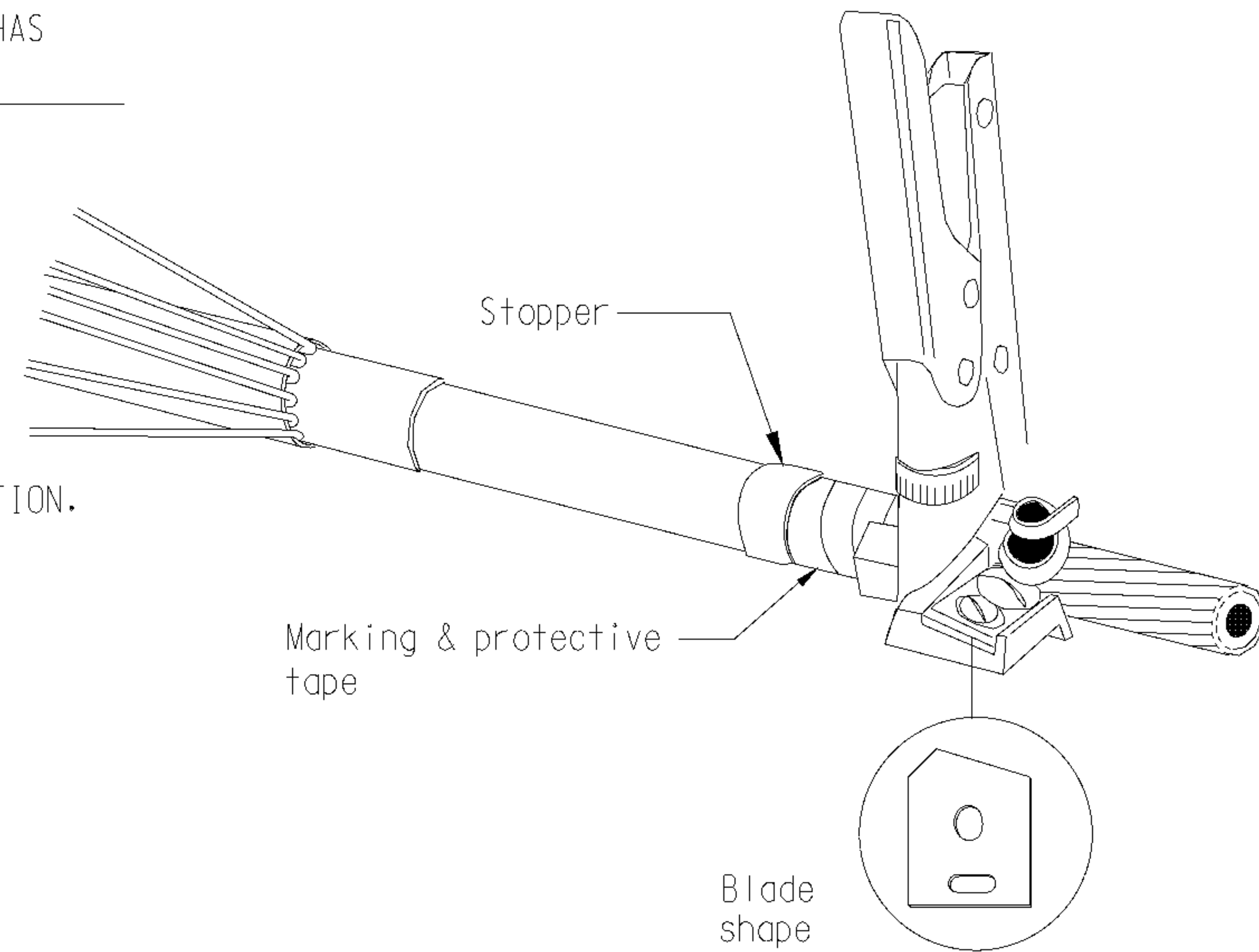
1. CHECK THAT THE STRIPPER IS CLEAN AND THAT THE INSIDES OF THE JAWS ARE FREE OF SHARP EDGES.
2. WITH PVC TAPE MARK THE POINT TO WHERE THE SHEATH IS TO BE REMOVED.
3. LIGHTLY CLAMP THE STRIPPER ONTO THE CABLE WITH THE BLADE AT THE PVC TAPE. APPLY ABOUT 8 TURNS OF PVC TAPE AS A STOPPER.
4. NOW FIT STRIPPER TO CABLE END SO THAT WHEN CLOSED IT IS A LOOSE FIT. ADJUST JAW OPENING UNTIL FIRM ON CABLE BUT NOT TIGHT.
5. CHECK/ADJUST BLADE DEPTH TO  $\frac{3}{4}$  OF SHEATH THICKNESS.
6. ROTATE WITH SLIGHT PRESSURE UNTIL BLADE BITES SHEATH THEN CONTINUE ROTATING UNTIL IT CONTACTS THE STOPPER TAPE. A FURTHER ROTATION AT THIS POINT WILL COMPLETE THE STRIPPING WITH A SQUARE EDGE.
7. CHECK THAT REMOVAL TO THE MARKER TAPE HAS BEEN ACHIEVED.



## CABLE INSULATION STRIPPING

### HAYCO STRIPPER

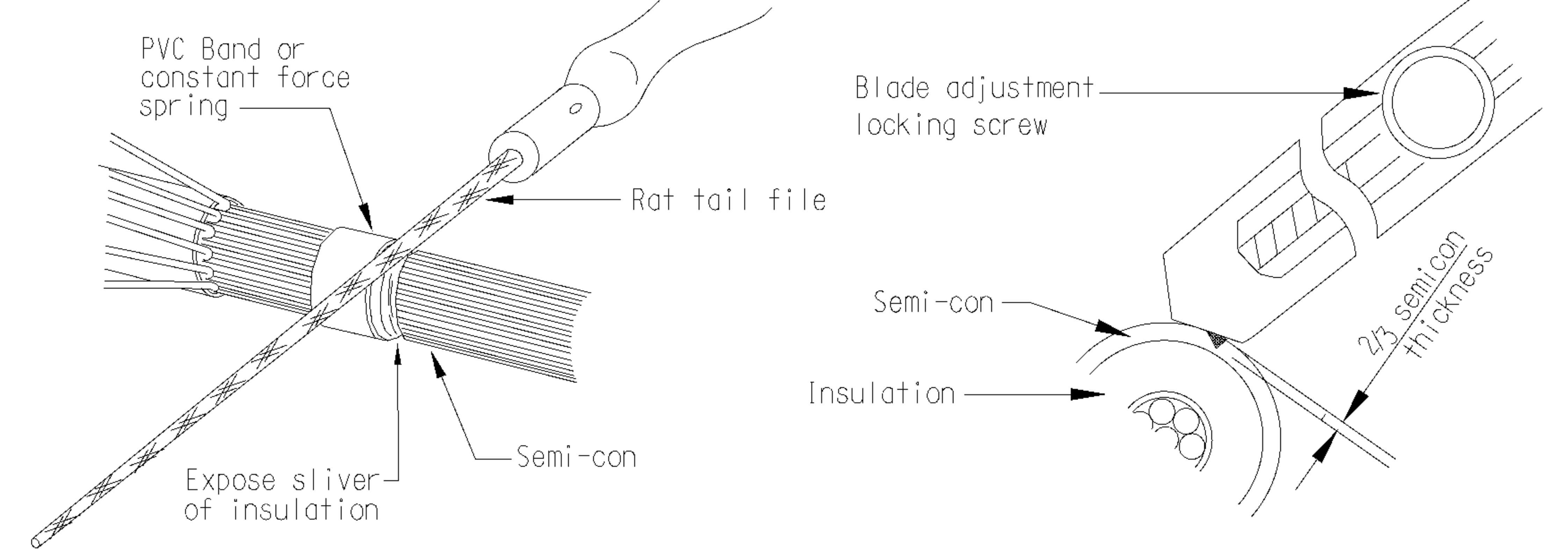
1. SEE STEPS 1-4 FOR SHEATH REMOVAL. NOTE ADDITIONAL TAPE TO PROTECT INSULATION.
2. CHECK/ADJUST BLADE DEPTH TO  $\frac{3}{4}$  OF INSULATION THICKNESS MAKING SURE THAT BLADE WILL NOT DAMAGE THE CONDUCTOR.
3. SEE STEPS 6 & 7 FOR SHEATH.



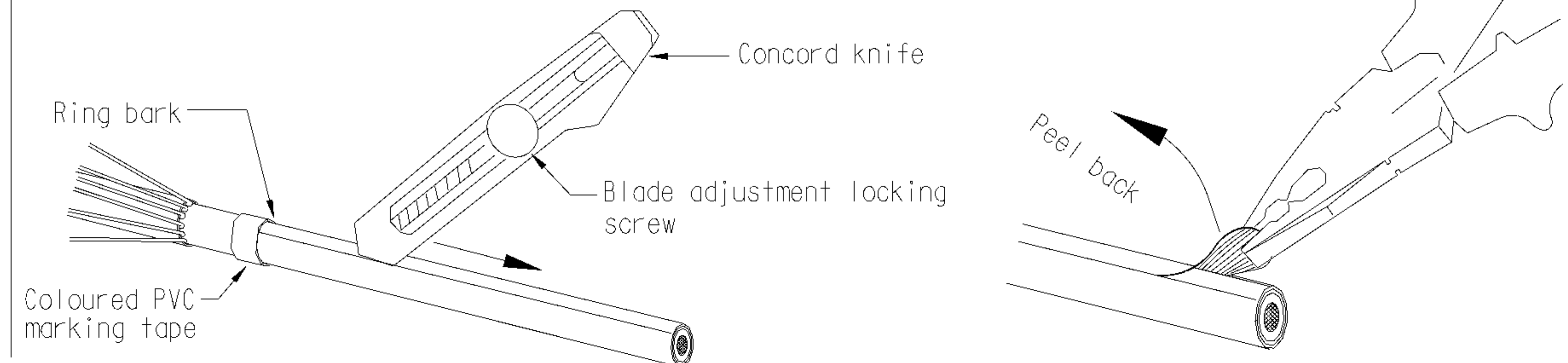
## SEMI-CON STRIPPING

### RAT TAIL FILE AND CONCORD KNIFE

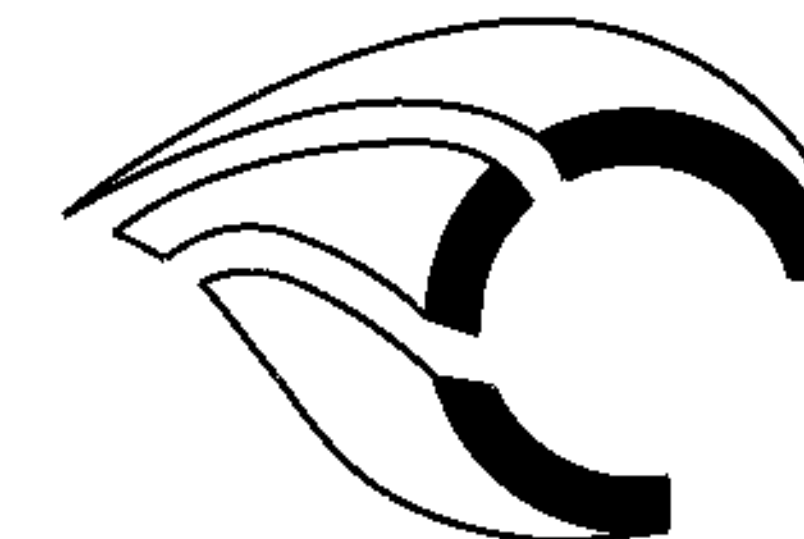
1. REMOVE CABLE SHEATH AND FOLD BACK SCREEN WIRES AS PER RELEVANT INSTRUCTION DRAWING.
2. MARK THE POINT ON THE CABLE TO WHERE THE SEMI-CON IS TO BE REMOVED WITH COLOURED PVC TAPE.
3. FORM A BAND OF PVC TAPE ABOUT 1mm THICK, OR USE A CONSTANT FORCE SPRING, AS A GUIDE FOR THE RAT TAIL FILE.
4. USING A RAT TAIL FILE AND THE PVC BAND OR SPRING AS A GUIDE BEGIN ABRADING AWAY THE SEMI-CON IN A GRADUAL AND CONTINUOUS PROCESS AROUND THE CABLE. AS YOU NEAR THE INSULATION TAKE GREATER CARE AND USE SMALLER STROKES UNTIL A FINE "RING" OF INSULATION IS EXPOSED.



5. ADJUST AND CLAMP THE BLADE OF THE CONCORD KNIFE TO PROTRUDE ABOUT TWO-THIRDS OF THE SEMI-CON THICKNESS (ABOUT 0.6mm).  
\* IT IS IMPERATIVE THAT THE CABLE INSULATION IS NOT SCORED WITH THE KNIFE \*
6. SCORE 3 GROOVES ALONG THE LENGTH OF THE SEMI-CON FROM THE "RING BARK" TO THE CABLE END EQUIDISTANT ABOUT THE CIRCUMFERENCE.
7. LIFT THE SEMI-CON AT THE CABLE END AND PEEL OFF THE STRIPS WITH PLIERS.



**POWER  
AND  
WATER  
AUTHORITY**



NORTHERN TERRITORY

DES -  
DRN J.A.L.  
CKD A.T.  
APPD P.J.D.  
SCALE N.T.S.  
ISSUED DEC '95  
ALL DIM. IN mm U.N.O.

N.T. STANDARD DRAWING

CABLE JOINTING AND TERMINATIONS  
STRIPPING METHODS

A3 DRAWING NUMBER S2-2-2-21

DRAFTING STANDARD TO AS 1100

CAD PRODUCT — DO NOT AMEND MANUALLY



AMDT

No. AMENDMENT

DRN CKD APPD DATE