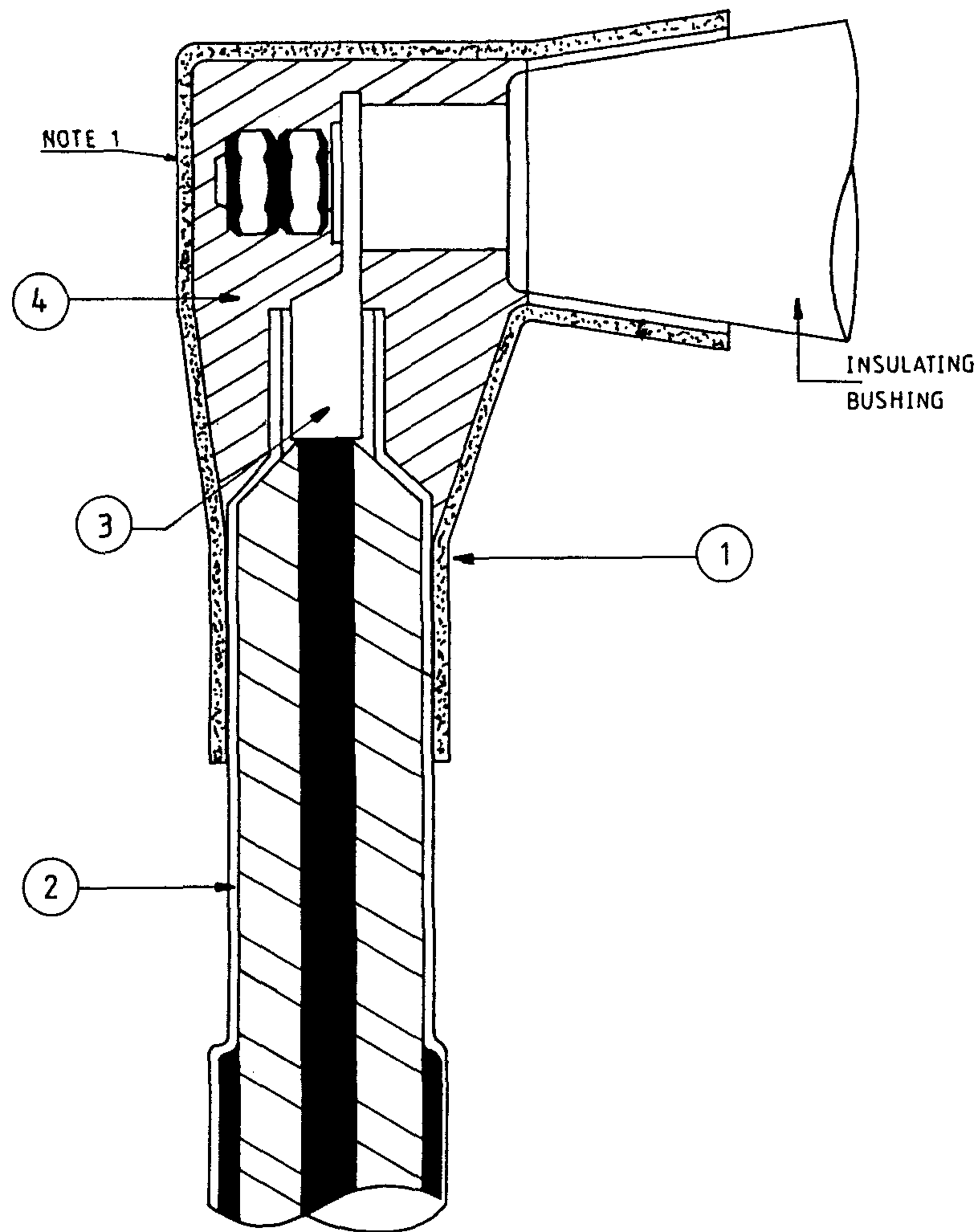



3RD ANGLE — DO NOT SCALE — REPORT ANY ERRORS, OMISSIONS TO DRAFTING OFFICE



ITEM	DESCRIPTION	CABLE SIZE	STOCK CODE	SIGMAFORM No	RAYCHEM No
1	H.V. MOLDED BOOT	10-35mm ²	3756	_____	EAKT 1508
		50-95mm ²	3772	BB-RB2	EAKT 1509
		120-300mm ²	3780	BB-RB3	EAKT 1510
2	H.V. HEATSHRINK TERMINATION	10-300mm ²	AS REQ. REF TO Drg S2-1-2-12 & S2-1-2-13		
3	COMPRESSION LUG	10-300mm ²	AS REQUIRED		
4	H.V. MASTIC TAPE	SUPPLIED WITH H.V. BOOT KIT.			

NOTE

1. 40mm CLEARANCE FROM EARTHED METALIC SURFACES TO OUTSIDE SURFACE OF BOOT MUST BE MAINTAINED FOR 11KV TERMINATION TO ACHIEVE BIL OF 95KV.
2. PHASE TO PHASE CLEARANCE TO BE 75mm Min.

3	REDRAWN. TITLE & Drg NUMBER CHANGED. TABLE ALTERED. NOTES ADDED.	11/88	QJF	 POWER AND WATER AUTHORITY POWER DIRECTORATE	DES R HAIGH	N.T. STANDARD DRAWING		
	No	AMENDMENT	DATE		INIT	DRNR. L. FINNEY	TITLE CABLE JOINTING & TERMINATION TERMINATION - INDOOR BUSHING TYPE ASSEMBLY DETAILS	
					CKD G SCHUBERT	A3 DRAWING NUMBER S2-2-2-5		
					APPD <i>Shent 28/4/88</i> ISSUED 28/11/88		ALL DIM IN mm	SHEET
					DRAFTING STANDARD TO A.S. 1100	SHEET		
					POWER DIRECTORATE		SHEET	SHEET