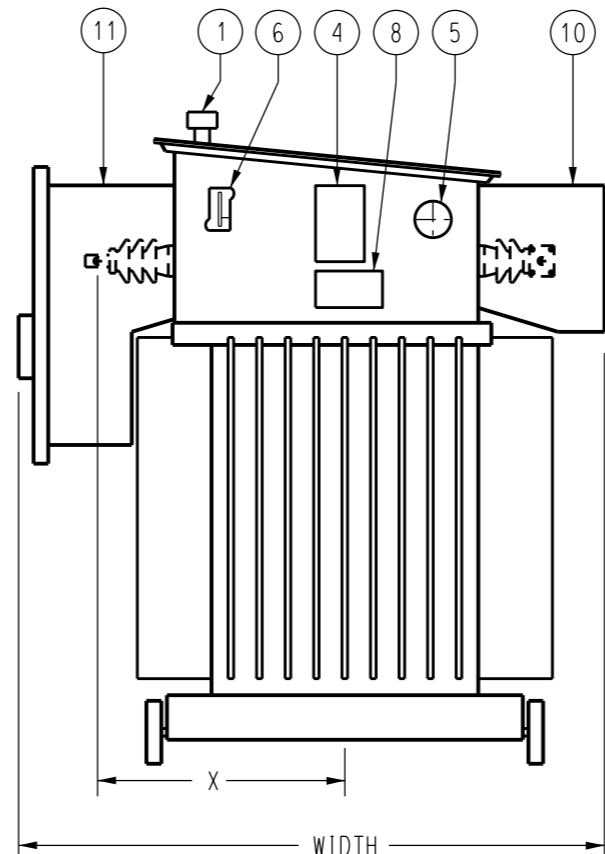


ITEM NO	SIZE	VOLTAGE		STOCK CODE	HEIGHT	WIDTH	LENGTH	X
		PRIM	SEC					
1	500kVA	11kV	433V	288308	1743	1890	1490	755
2	750kVA	11kV	433V	172783	1743	1940	1720	780
3	1000kVA	11kV	433V	172791	1718	1970	1810	795
6	1500kVA	11kV	433V	401348	1716	2164	2189	906
4	750kVA	22kV	433V	172916	1753	1990	1440	865
5	1000kVA	22kV	433V	172924	1725	2005	1880	875
7	500kVA	22kV	433V	172908	1753	1900	1440	820

NOTE:

1. TRANSFORMER MUST COMPLY WITH PAWA STANDARD TECHNICAL SPECIFICATION STS001.
2. HV CABLE BOX AND LV TERMINAL COVER TO BE REVERSIBLE.
3. VECTOR GROUPING TO BE Dyn1.
4. HV WINDING TAPS SHALL BE +10% to -5% IN STEPS OF 2.5%.



TAG NO	DESCRIPTION
12	COOLING FINS
11	HV CABLE BOX cw BRASS GLAND PLATE
10	LV BUSHING COVER
9	EARTH STUD
8	NUMBER PLATE BRACKET
7	DRAIN VALVE 25mm cw GASKETTED FLANGE PLUG
6	FLUSH TYPE OIL GUAGE
5	TAP SELECTOR
4	NAME PLATE
3	DETACHABLE WHEELS
2	LIFTING LUG
1	FILLER SPOUT cw GASKETTED FLANGE PLUG

NO	DESCRIPTION	DRN	DATE	CKD	APPD
2	OVERALL DIMENSIONS ADDED TO TABLE	A.T.	MAY'14	B.C.	B.C.
1	ITEMS 6, 7 ADDED, NOTE 4 UPDATED	A.T.	FEB'13	B.C.	B.C.



DES	A.BUTLER	POWER STANDARD DRAWING	
DRN	R.INNES	TRANSFORMERS	
CKD	M.BOCK	11kV & 22kV - PLATFORM - INDOOR	
APPD	P.DEWAR	500. 750. 1000 AND 1500kVA	
SCALE	NTS	A3	DRAWING NUMBER S02-1-6-07
ISSUED	NOV'96		
ALL DIM.	IN mm	DRAFTING STANDARD TO A.S.1100	
CAD PRODUCT - DO NOT AMEND MANUALLY		AMDT	