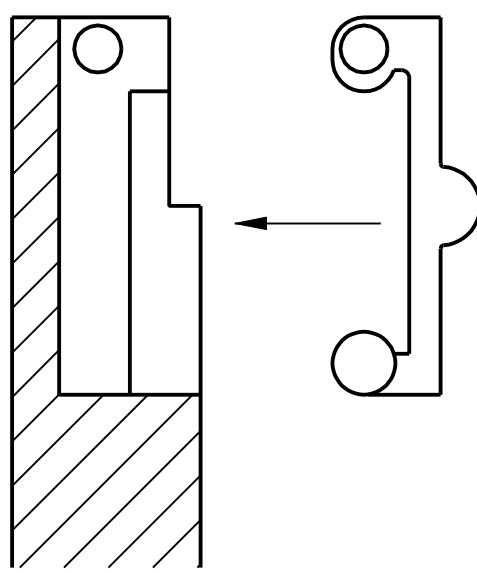
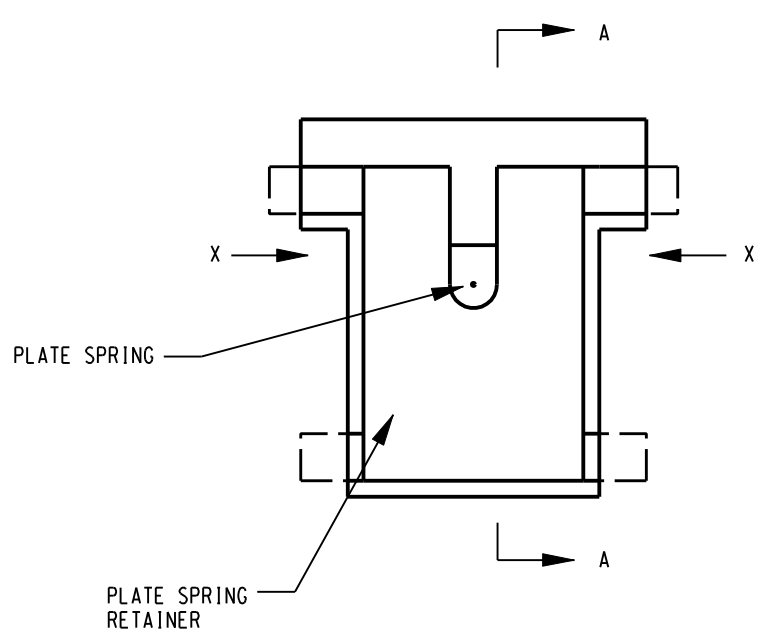
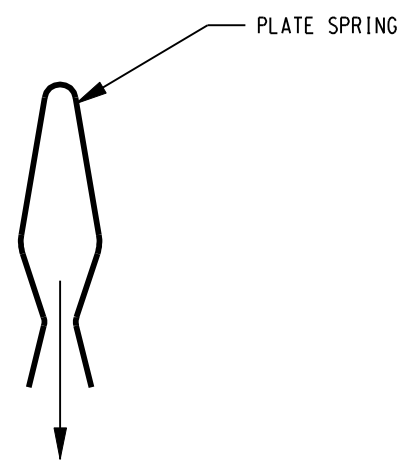
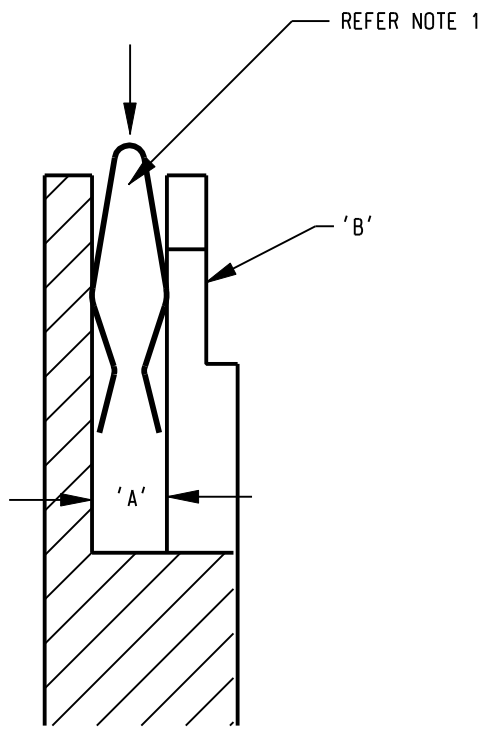


**NOTE:**  
 1. WHEN INSERTING HEAVY DUTY PLATE SPRING INTO THIS SLOT THE SPRING HAS TO BE COMPRESSED TO THE WIDTH OF THE SLOT (DIM 'A') TO AVOID DAMAGE TO THE LIP OF THE SLOT AT 'B'. COMPRESS TO SLOT WIDTH 6mm

TAG	QUANTITY			DESCRIPTION	STOCK CODE
	MD 404 ACE	MD 401 AABC	MD 406 AAABC		
1	1	3	4	HANDLE FOR 3 PHASE BRIDGE	-
2	1	3	4	M6 x CHEESE HEAD NYLON SCREWS	406847
3	1	3	4	BRIDGING BAR WARNING LABEL	
4	1	1	1	PLATE SPRING HEAVY DUTY	



SECTION A-A



DETAIL 'A'

**OPERATING INSTRUCTIONS:**

- A. REMOVE THE OUTER, AND ONE PAIR INNER NYLON SCREWS TO PERMIT THE SINGLE SWITCHCAPS TO BE SLID ON TO THE BRIDGE.
- B. SLIDE ALL THREE SWITCHCAPS ON TO THE BRIDGE ENSURING THAT THE PLATE SPRINGS ARE ALL ON THE SAME SIDE.
- C. REPLACE THE NYLON SCREWS TO CORRECTLY LOCATE THE SWITCHCAPS ON THE BRIDGE. WHEN TIGHTENING THE SCREWS DO NOT OVER TIGHTEN AS THE SCREWS MAY FAIL IN TENSION.
- D. CLAMP THE BRIDGE IN A VICE WITH SWITCHCAPS FACING UPWARDS AND THE PLATE SPRINGS ON THE FAR SIDE. NOTE THE APPEARANCE OF THE AREADY ASSEMBLED PLATE SPRING AND THE WHITE NYLON SPRING RETAINER TO ASSIST WITH LATER REASSEMBLY.
- E. REMOVE ALL PLATE SPRINGS. THIS IS CARRIED OUT BY INSERTING A SCREW DRIVER BLADE BETWEEN THE WHITE NYLON PLATE SPRING RETAINER AND THE SWITCHCAP CASTING, TOWARDS THE TOP OF THE RETAINER (POINT X) AND GENTLY LEAVING THE RETAINER AWAY FROM, AND TOWARDS THE CENTRE OF THE SWITCHCAP. THIS WILL RELEASE THE RETAINER FROM THE HOLE IN THE SWITCHCAP CASTING.
- F. SLIDE BOTH THE NYLON RETAINER AND THE STANDARD PLATE SPRING UPWARD AND OUT OF THE CASTING IN ALL THREE SWITCHCAPS.
- G. USING THE BEST OF THE NYLON RETAINERS, SLIDE THE LOWER BOSSES ONLY OF THIS INTO THE SLOT IN THE SWITCHCAP, IN THE CENTRE SWITCHCAP ONLY, AND FOR THE MOMENT, LEAVE THE TOP LAYING BACK TOWARDS THE CENTRE OF THE SWITCHCAP.

						DES	R.SOOD	POWER STANDARD DRAWING		
						DRN	K.IBBOTT	<b>THREE PHASE BRIDGE          FOR HOLEC MAGNEFIX          MD-4</b>		
CKD	B.CHEUNG									
APPD	.									
						SCALE	NTS	A3	DRAWING NUMBER	S02-1-7-14
						ISSUED	SEP '06			
						ALL DIM.	IN mm			 AMDT
						AMENDMENTS				
NO	DESCRIPTION	DRN	DATE	CKD	APPD					
1 A	STOCK CODE ADDED ISSUED FOR COMMENTS	A.S. K.I.	NOV'06 11/9/06	B.C. R.S.	S.C. S.C.					