

1	21	STENCIL KVA RATING NOTE 6	
3	20	DOORS FITTED WITH 3 POINT 'SELECTLOK' SWING HANDLES	
1	19	LV BUSHING NOTE 7 & 8	
1		HV BUSHING NOTE 7.8 & 11	BUSHING WELL 200A - CLAMP RING - AUSTRALMOLD CM70221151 - 1601-F
1	18	OIL PRESENCE INDICATOR	SIGHT GLASS
3	17	CT'S	CCT5238
2	16	HEATER STRIPS 100W	HTR2325
1	15	TAP CHANGER HANDLE	PADLOCKABLE
1	14	GENERATOR CABLE ACCESS	
3	13	DOOR OPERATED LIGHTS	ALL COMPARTMENTS
1	12	LV SWITCHGEAR	JEAN MULLER ISOLATOR SPACE FOR 4 OFF 630A JEAN MULLER FUSE STRIPS
1	11	LV PAD COVER	3MM PVC
1	10	NAME & RATING PLATE DETAIL	4943 2006
4	9	LOUVERED VENTS	ALUMINIUM
1	8	OIL-CONTAINMENT-BUND	GALVANIZED
1	7	HV SWITCHGEAR	MERLIN GERIN RM6 21 - D
4	6	DOOR HANDLES	3 POINT LATCH
4	5	LIFTING POINTS	COMPLETE UNIT
1	4	BASE, REMOVABLE LINTELS	GALVANISED
1	3	MAIN EARTH BAR	40X6 COPPER
1	2	TRANSFORMER	HERMETICALLY SEALED
1	1	ENCLOSURE	ALUMINIUM
		ENCLOSURE COLOUR TO AS2700	HOLLY GREEN
NO. OFF	ITEM NO.	DESCRIPTION	TYPE

**WARNING SIGNS**

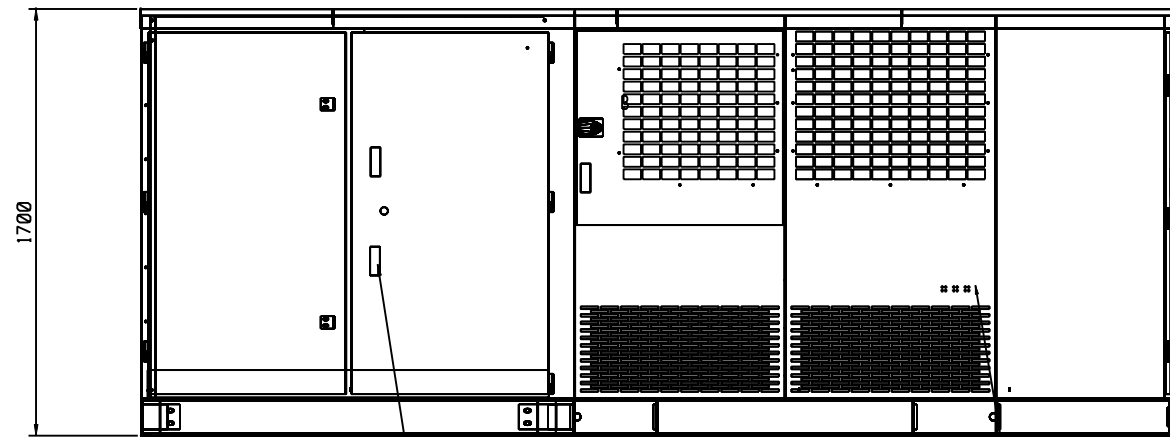
DANGER 433 VOLTS ON LV DOORS  
 DANGER 11000 VOLTS ON HV DOORS

**PowerWater**

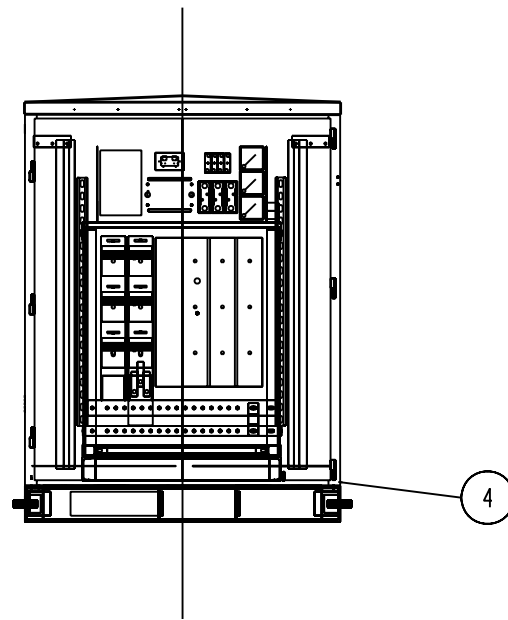
NORTHERN TERRITORY

DES	B.CHEUNG	POWER STANDARD DRAWING	
DRN	C.McLAREN	KIOSK SUBSTATION	
CKD	B.CHEUNG	GENERAL ARRANGEMENT	
APPD	...	SHEET 2 OF 5	
SCALE	...		
ISSUED	AUGUST '07	A3	DRAWING NUMBER S02-1-7-13_2
ALL DIM.	IN mm		
DRAFTING STANDARD TO A.S.1100		CAD PRODUCT - DO NOT AMEND MANUALLY	

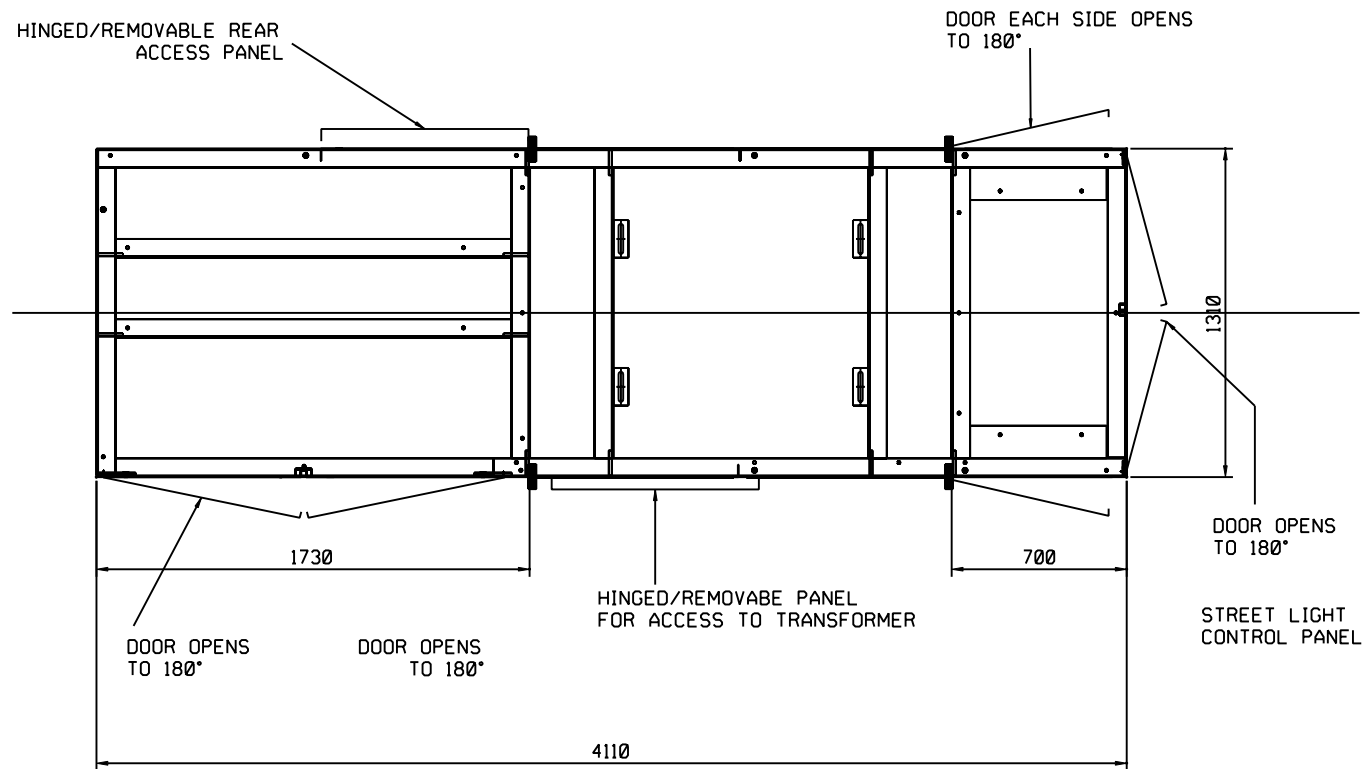
NO	DESCRIPTION	DRN	DATE	CKD	APPD
...	...	...	...'02	...	...
...	...	...	...'02	...	...
AMENDMENTS					



FRONT VIEW



LV SIDE VIEW



TOP VIEW

STOCK No.	kVA	TOTAL MASS	3 WAY	4 WAY
406916	315	3120 kg	YES	
406917	500	3670 kg	YES	
406918	750	4230 kg	YES	
406919	1000	4790 kg	YES	
406942	315	3120 kg		YES
406943	500	3670 kg		YES
406944	750	4230 kg		YES
406945	1000	4790 kg		YES

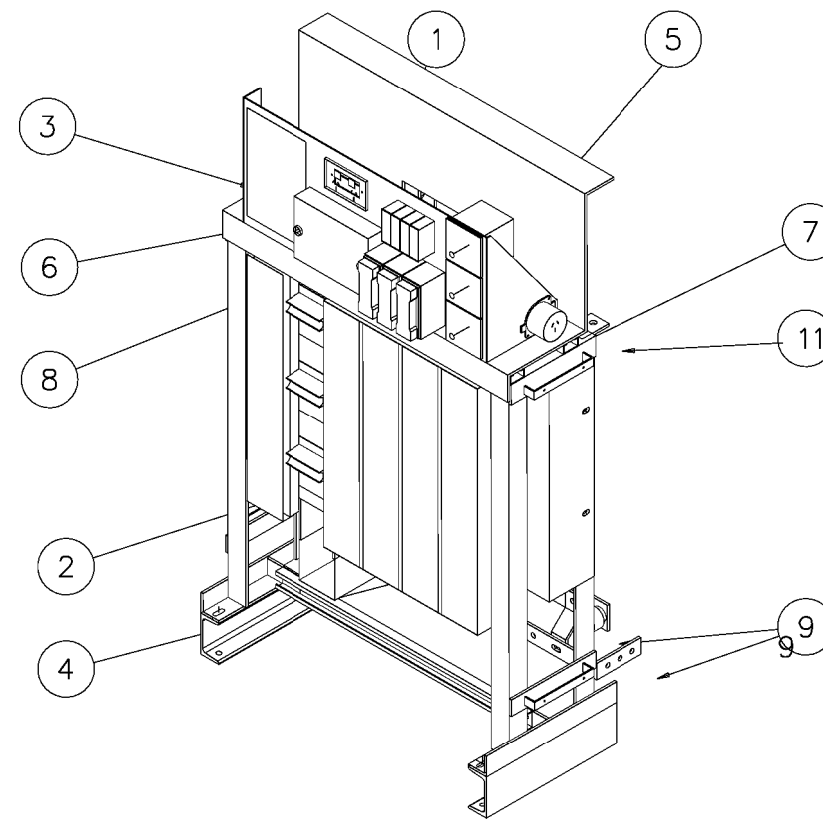
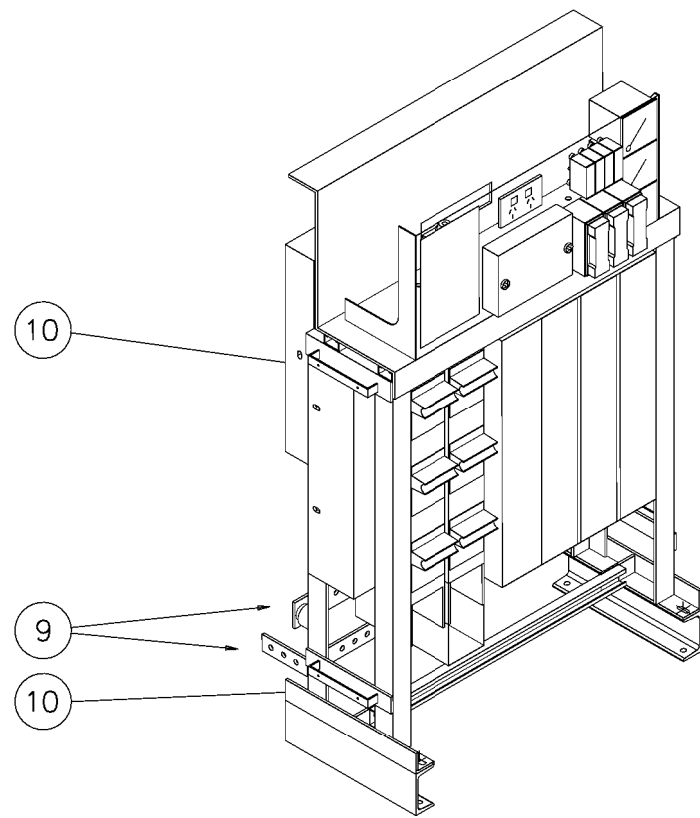
**NOTES**

- THIS DRAWING IS TO BE READ WITH STS 001.
- LV CUBICLE AS PER DRAWING No. S02-1-7-11, AND LV FITTINGS AS PER DRAWING No. S02-1-7-09, S02-2-2-01.
- SINGLE LINE DIAGRAM AS PER DRAWING No. S02-1-7-01.
- REMOVABLE PLATE FOR LV PANEL FOR GENERATOR CABLE.
- KIOSK SIGN AS PER 02-1-8-32.
- STENCIL kVA RATING No. IN BLOCK CHARACTERS 75mm HIGH & BODY WIDTH NO LESS THAN 12.
- CABLES IN HV & LV COMPARTMENTS TO BE HEAT SHRINK COLOURED TO MATCH PHASE WITH R.W.B. ON BOTH ENDS OF CABLES.
- STENCIL R W B AND N OVER HV, LV & NEUTRAL BUSHINGS.
- LIFTING BRIDLE, KIOSK KPX UP TO 1500kVA REFER TO S02-#-#-#.
- 50sq mm Cu XLPE C1 - 200A NON-LOADBREAK ELBOW - PIN TYPE.
- 50sq mm Cu XLPE C1 - 400/630A NON-LOADBREAK ELBOW - BOLTED TYPE.

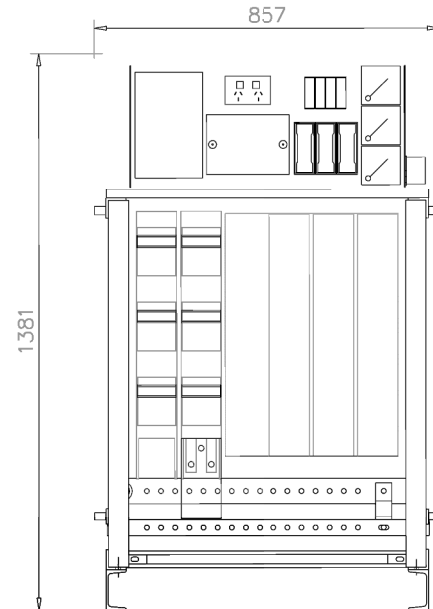
NO	DESCRIPTION	DRN	DATE	CKD	APPD
A	REDRAWN	C.M.	05.2007	...	...
AMENDMENTS					



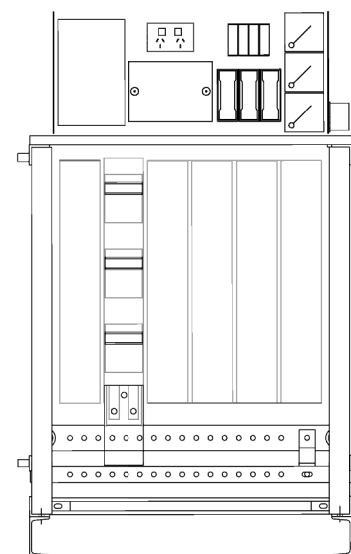
DES	B. Cheung	POWER STANDARD DRAWING	
DRN	C. McLaren	<b>KIOSK SUBSTATION GENERAL ARRANGEMENT SHEET 3 OF 5</b>	
CKD	B. Cheung		
APPD		<b>A3</b>	<b>DRAWING NUMBER S02-1-7-13</b>
SCALE	1:15		
ISSUED	JULY '07		
ALL DIM. IN mm			
DRAFTING STANDARD TO A.S.1100		CAD PRODUCT - DO NOT AMEND MANUALLY	



NOT TO SCALE  
ENLARGED FOR CLARITY



750-1000 kVA  
LV BOARD



315-500 kVA  
LV BOARD

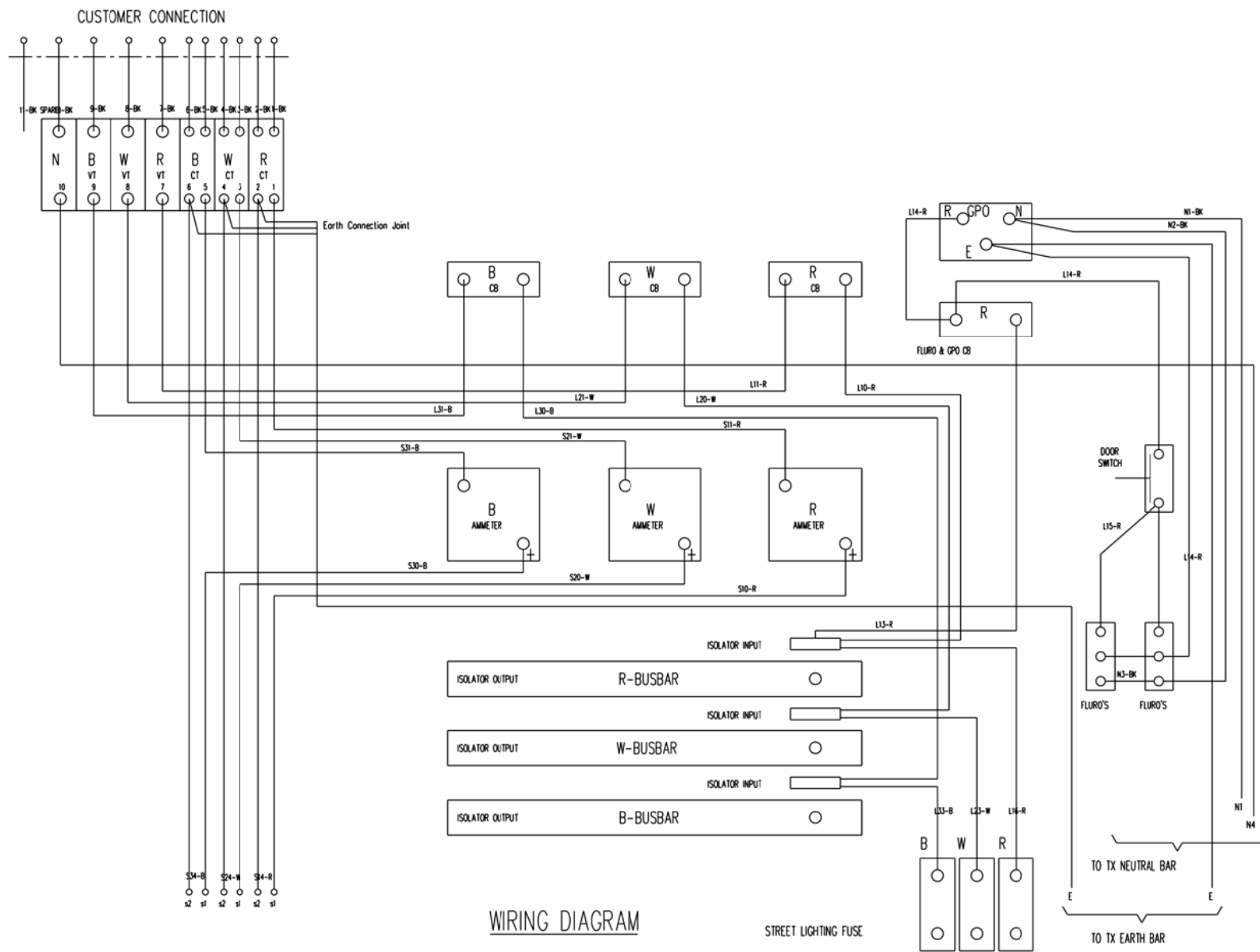
	11	MOUNTING BRACKET - EMAIL ANTENNA
	10	MOUNTING BRACKET - STREET LIGHT CONTROL PANEL
	9	EARTH NEUTRAL BARS WITH MEN LINK
1	8	CLIPSAL TEST LINKS
1	7	GPO FOR ENCLOSURE LIGHTS - DOOR OPERATED
1	6	GPO - DOUBLE
3	5	MAXIMUM DEMAND INDICATORS
1	4	PROVISION FOR 4 X 630A REFER TO S02-1-4-8
1	3	PROVISION FOR EMAIL METER
1	2	ISOLATOR 1000A/2000A JEAN MULLER WITH GENERATOR TAGS
1	1	AUXILLIARY MOUNTING PANEL

No. OFF	ITEM No.	DESCRIPTION
DES	B.Cheung	POWER STANDARD DRAWING
DRN	C.McLaren	KIOSK SUBSTATION
CKD	B.Cheung	GENERAL ARRANGEMENT
APPD	...	SHEET 4 OF 5
SCALE	...	
ISSUED	JULY 2007	A3 DRAWING NUMBER S02-1-7-13_4
ALL DIM.	IN mm	
DRAFTING STANDARD TO A.S.1100		CAD PRODUCT - DO NOT AMEND MANUALLY

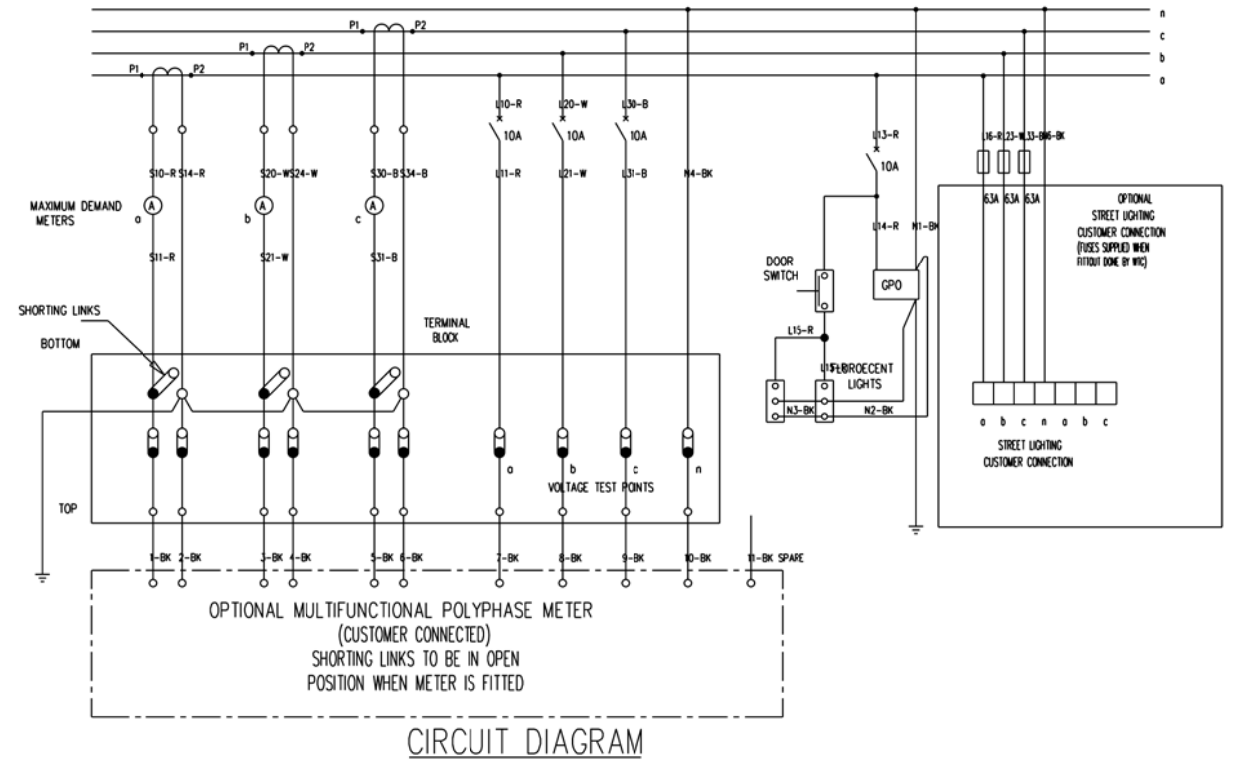
02	NOTES AMENDED	J.C.	MAR'08		
NO	DESCRIPTION	DRN	DATE	CKD	APPD
AMENDMENTS					

PowerWater

NORTHERN TERRITORY



WIRING DIAGRAM



NOTES:

CT1-CT3 TRANSFORMERS CURRENT METERING

- WIRE NUMBER
- H70-R R - RED BK - BLACK
- W - WHITE BN - BROWN
- B - BLUE GY - GREY



NOTE  
 ALL FUSES CONNECTED FROM LV SWITCHBOARD AND WIRED USING 7/1.04mm 0.6/1kV  
 ALL OTHER WIRING 7/0.67mm 0.6/1kV  
 NEUTRAL & EARTH CONNECTIONS MADE TO FRONT NEUTRAL BAR

0	ISSUED FOR CONSTRUCTION	J.C.	MAY'08	B.C.	S.C.
NO	DESCRIPTION	DRN	DATE	CKD	APPD
AMENDMENTS					



DES	B.C.	POWER STANDARD DRAWING		
DRN	J.C.	<b>KIOSK SUBSTATIONS</b>		
CKD	B.C.	<b>PACKAGE</b>		
APPD	...	<b>GENERAL ARRANGEMENT 5 OF 5</b>		
SCALE	N.T.S.	<b>A3</b>	<b>DRAWING NUMBER</b>	<b>S02-1-7-13</b>
ISSUED	MAY'08			
ALL DIM.	IN mm			
DRAFTING STANDARD TO A.S.1100		CAD PRODUCT - DO NOT AMEND MANUALLY		AMDT