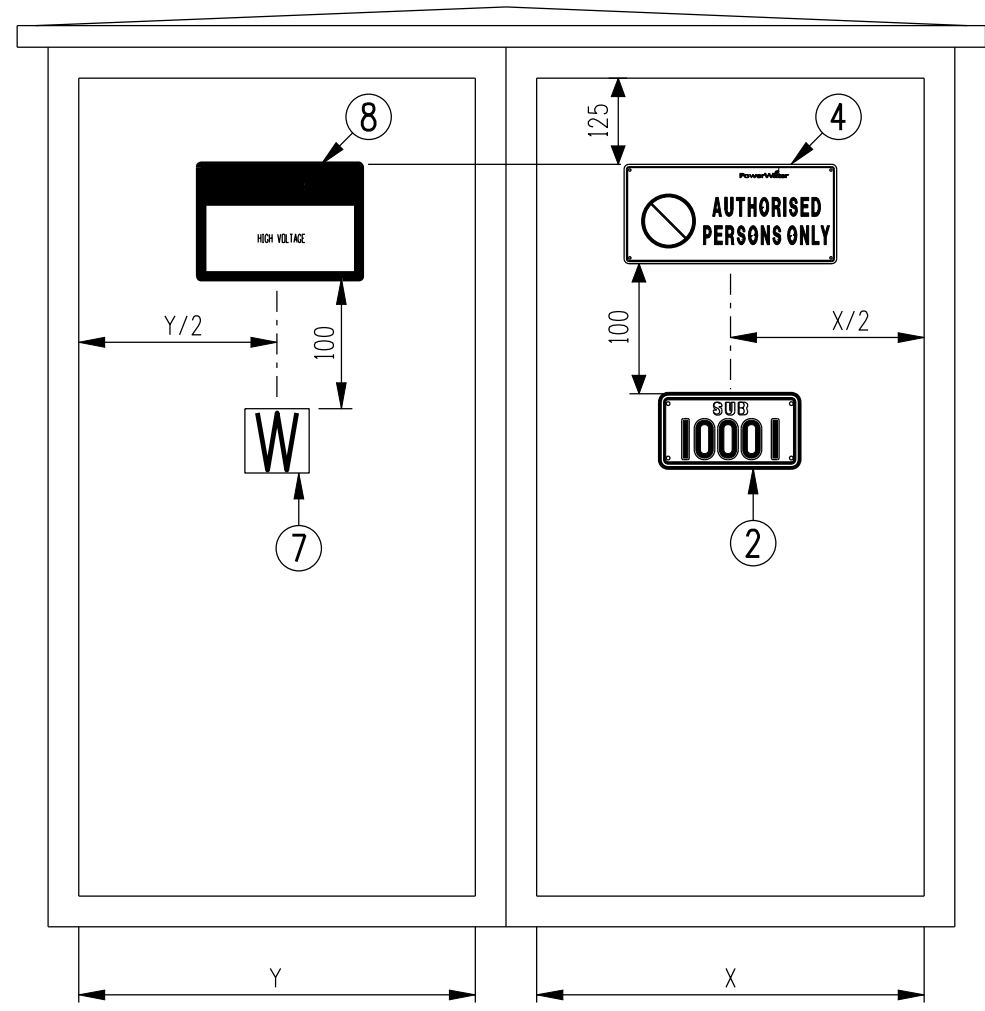
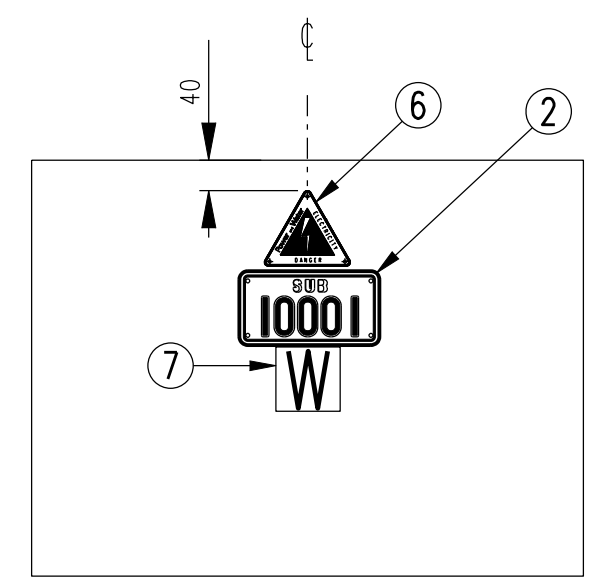


3 PHASE PACKAGE SUBSTATIONS



SINGLE PHASE DOOR OPENING PACKAGE SUBSTATIONS



SINGLE PHASE LID OPENING PACKAGE SUBSTATIONS

SIGNS AS PER AS3000

TAG	QTY.	DESCRIPTION	STOCK CODE	DRAWING No.
8	1	SIGN "HIGH VOLTAGE" INSTALLED BY MANUFACTURER	-	S02-1-8-02
7	1	PHASE LABEL KIT	7591	S02-1-8-13
6	1	SIGN "DANGER ELECTRICITY" 100mm	412498	S02-1-8-03
5	1	SIGN STREET LIGHT CONTROLLER	-	S03-1-5-02
4	1	SIGN "PROHIBITION"	406856	S02-1-8-31
3	1	SIGN "HIGH VOLTAGE"	406832	S02-1-8-02
2	1	SIGN SUB NUMBER	-	S02-1-8-14
1	1	SIGN "DANGER-ELECTRICITY" 250mm	6486	S02-1-8-03

NO	DESCRIPTION	DRN	DATE	CKD	APPD
5	SINGLE PHASE PACKAGE SUBSTATIONS ADDED	A.T.	MAY'13	B.C.	B.C.
4	DIMENSIONS ADDED	C.C.	JUL'11	A.T.	S.C.
3	STREET LIGHT CONTROLLER NUMBER PLATE ADDED	J.C.	JUNE'10	A.T.	S.C.
2	STOCK CODES ADDED	A.B.	APR'10	A.T.	S.C.
1	'PROHIBITION' SIGN ADDED	K.I.	SEP '06	R.S.	S.C.
0	ISSUED FOR CONSTRUCTION	A.S.	JULY '06	B.C.	B.C.



DES	PWC	POWER STANDARD DRAWING	
DRN	A.S.	SIGNS SUBSTATION PACKAGE	
CKD	B.C.		
APPD	...		
SCALE	N.T.S.	A3	DRAWING NUMBER S02-1-8-29
ISSUED	JULY '06		
ALL DIM. IN mm		CAD PRODUCT - DO NOT AMEND MANUALLY	
DRAFTING STANDARD TO AS.1100		AMDT	