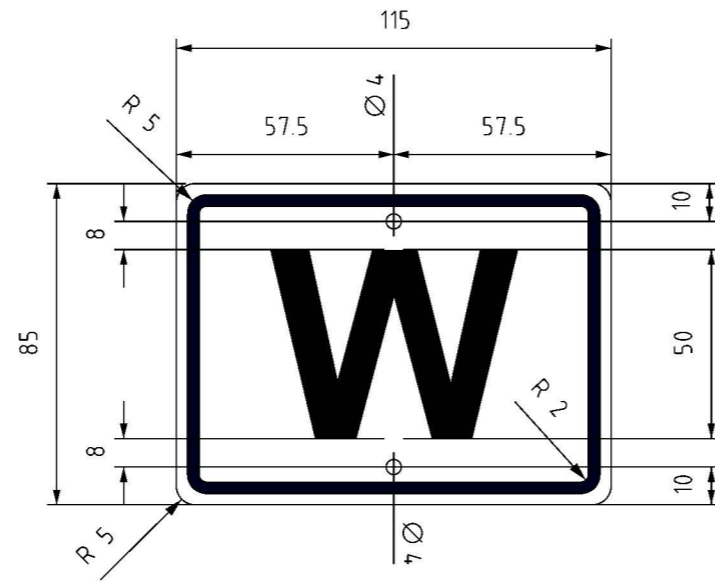


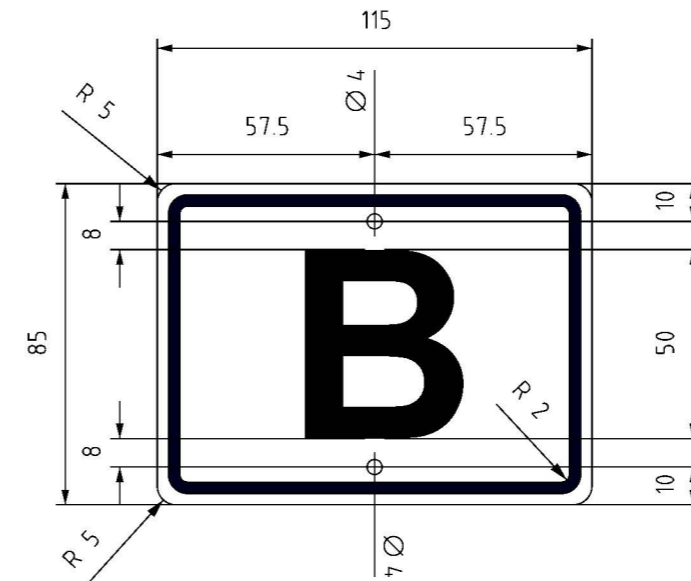
RED PHASE PLAN VIEW

SCALE 1:2



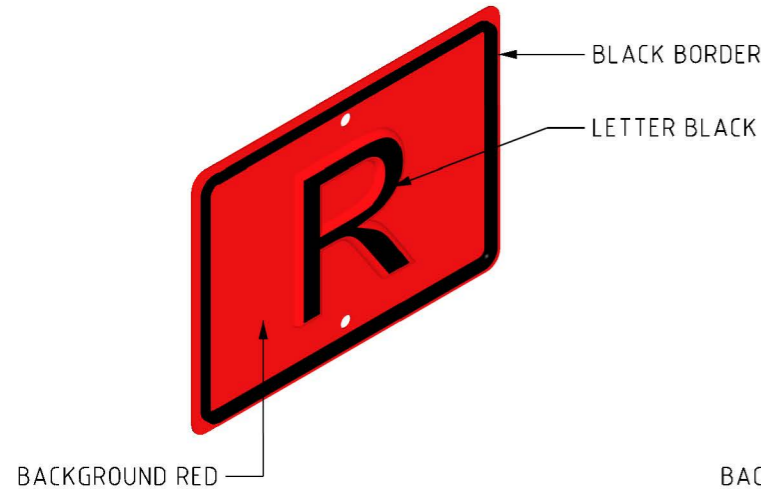
WHITE PHASE PLAN VIEW

SCALE 1:2



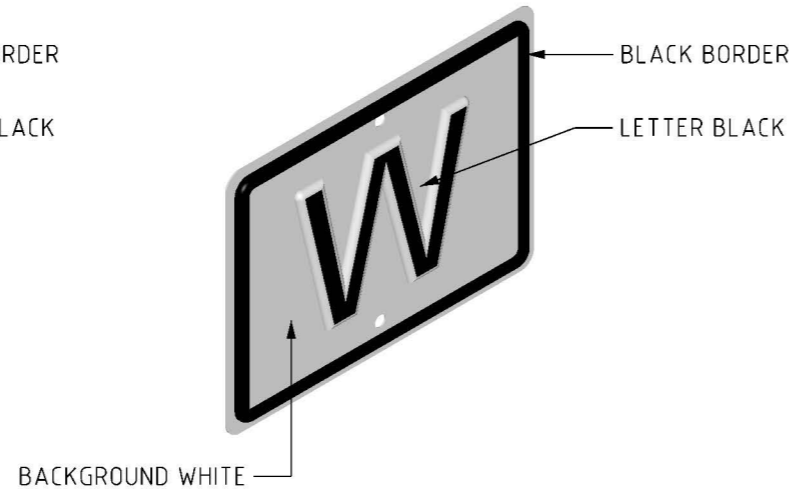
BLUE PHASE PLAN VIEW

SCALE 1:2



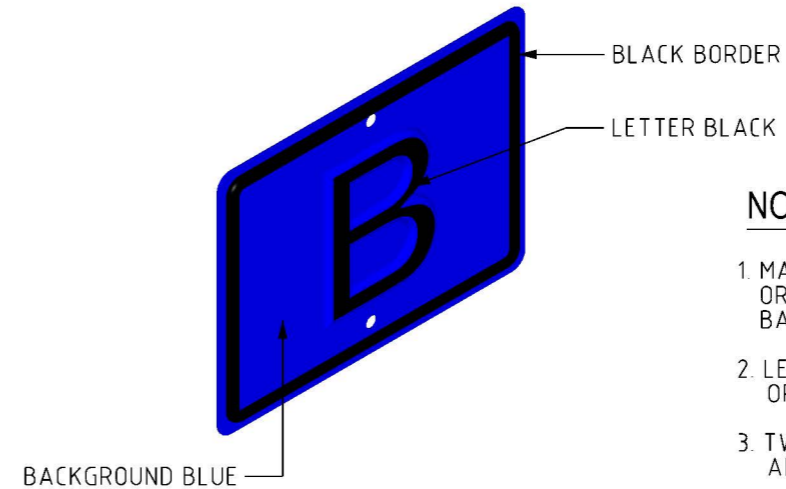
RED PHASE ISOMETRIC VIEW

SCALE N.T.S.



WHITE PHASE ISOMETRIC VIEW

SCALE N.T.S.



BLUE PHASE ISOMETRIC VIEW

SCALE N.T.S.

NOTES

1. MATERIAL 0.8mm ZINC ANNEALED STEEL SHEET OR 1mm ANODIZED ALUMINUM. BACKGROUND - REFLECTORISED FILM.
2. LETTERS TO BE EMBOSSED TO A HEIGHT 2mm OR ALTERNATIVELY SLACK SELF ADHESIVE PVC.
3. TWO COATS OF SUITABLE PAINT DR INK SHALL BE APPLIED TO THE EMBOSING.
4. THE FINISHED SIGN SHALL BE DIPPED IN A CLEAR LACQUER, TWO COATS.
5. THE SIGNS SHALL BE SUITABLE FOR USE IN TROPICAL WEATHER CONDITIONS, WITH AN EFFECTIVE EIGHT YEAR LIFE.

FIXING

IDENTIFICATION PLATES ARE TO BE ATTACHED WITH NOT LESS THAN TWO MECHANICAL FIXINGS (RAMSET OR SIMILAR) ON THE SIDE OF THE STRUCTURE FACING THE SOURCE OF SUPPLY. IDENTIFICATION PLATES ARE TO BE PLACED AS CLOSE AS PRACTICAL TO THE CONDUCTOR THEY IDENTIFY.

ITEM NUMBER: 7591

						POWER STANDARD DRAWING				
						SIGNS PHASE IDENTIFICATION				
						DES				
						DRN	G.R.			
						CKD	PMC			
						APPD	C.H.Y.			
						SCALE	AS SHOWN			
						ISSUED	MARCH 1994			
						ALL DIM. IN mm	A3	DRAWING NUMBER	S02-01-08-13	
						DRAWING STANDARD TO A.S.1100			CAD PRODUCT - DO NOT AMEND MANUALLY	5 AMDT
5	AMENDED STOCK CODE TO ITEM NUMBER & UPDATED DWG FRAME					C.C.	FEB'19	B.V.	B.V.	
4	REDRAWN ON CAD					G.R.	MAR'94	PMC	C.H.Y.	
NO	DESCRIPTION					DRN	DATE	CKD	APPD	
AMENDMENTS										

