

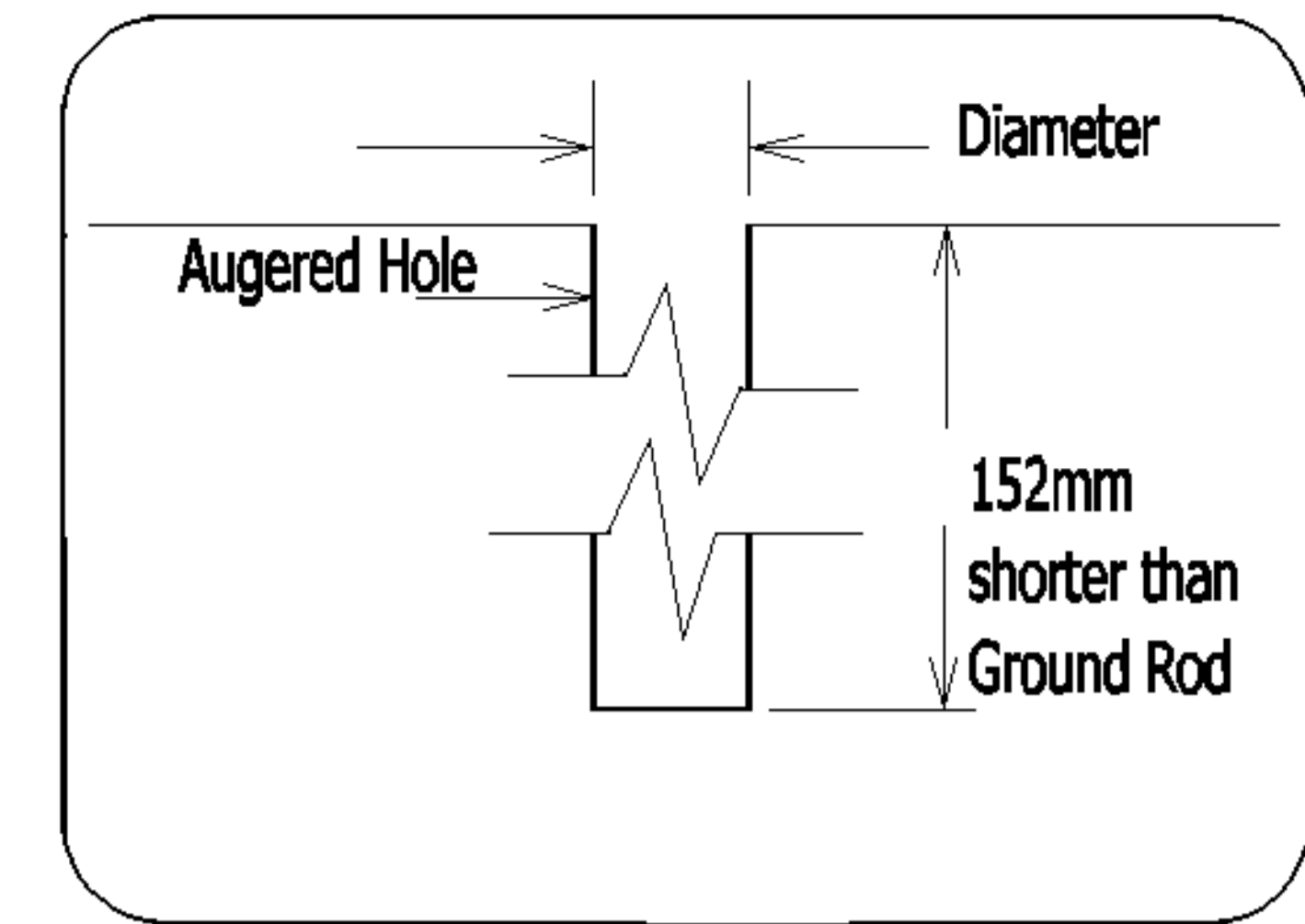
Ground Rod Installation

EARTHING COMPOUND.....STOCK CODE - 400915  
 GEM™ ( Ground Enhancement Material)

Estimated bags of GEM for backfilling around ground rod to a density 90lb/cu ft ( 1442kg/ cu metres )							
Dia. of Hole	Depth of Hole ( feet )						
	1.8 m (6')	2.1 m (7')	2.4 m (8')	2.7 m (9')	5.2 m (17')	5.8 m (19')	6.1 m (20')
7.5 cm (3")	2	2	2	2	4	4	4
10.0 cm (4")	2	3	3	3	6	7	7
12.5 cm (5")	3	4	4	5	9	10	10
15.0 cm (6")	5	5	6	7	13	14	15
17.5 cm (7")	6	7	8	9	17	19	20
20.0 cm (8")	8	9	11	12	22	25	26
22.5 cm (9")	10	12	13	15	28	31	32
25.0 cm (10")	12	14	16	18	34	38	40

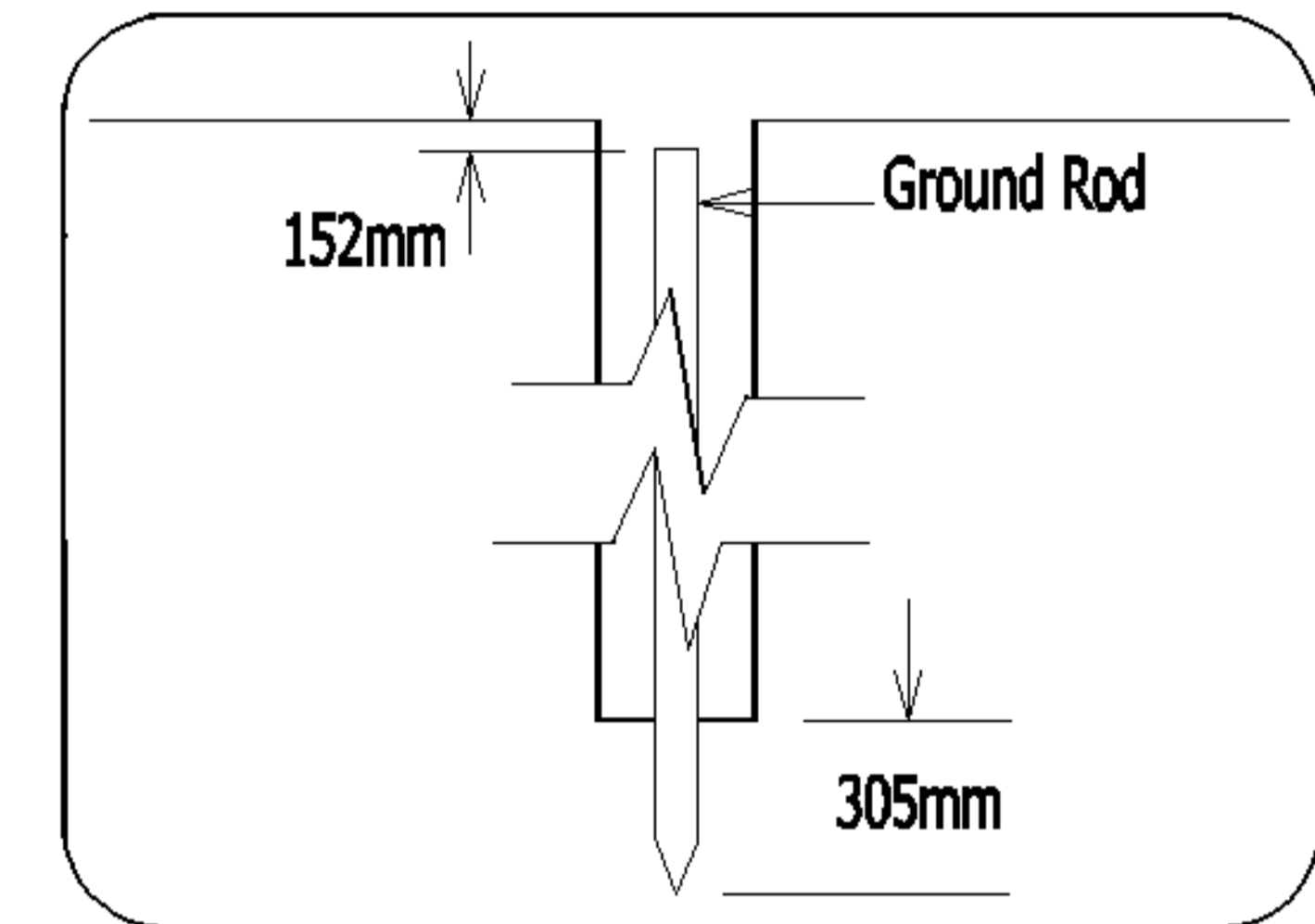
8 foot ( 2.44m ) minimum rod length required to be in contact with the soil ( or GEM™ ). Per NEC 250-83c.

1. Auger hole 7.6cm minimum width to depth specified by design engineer.



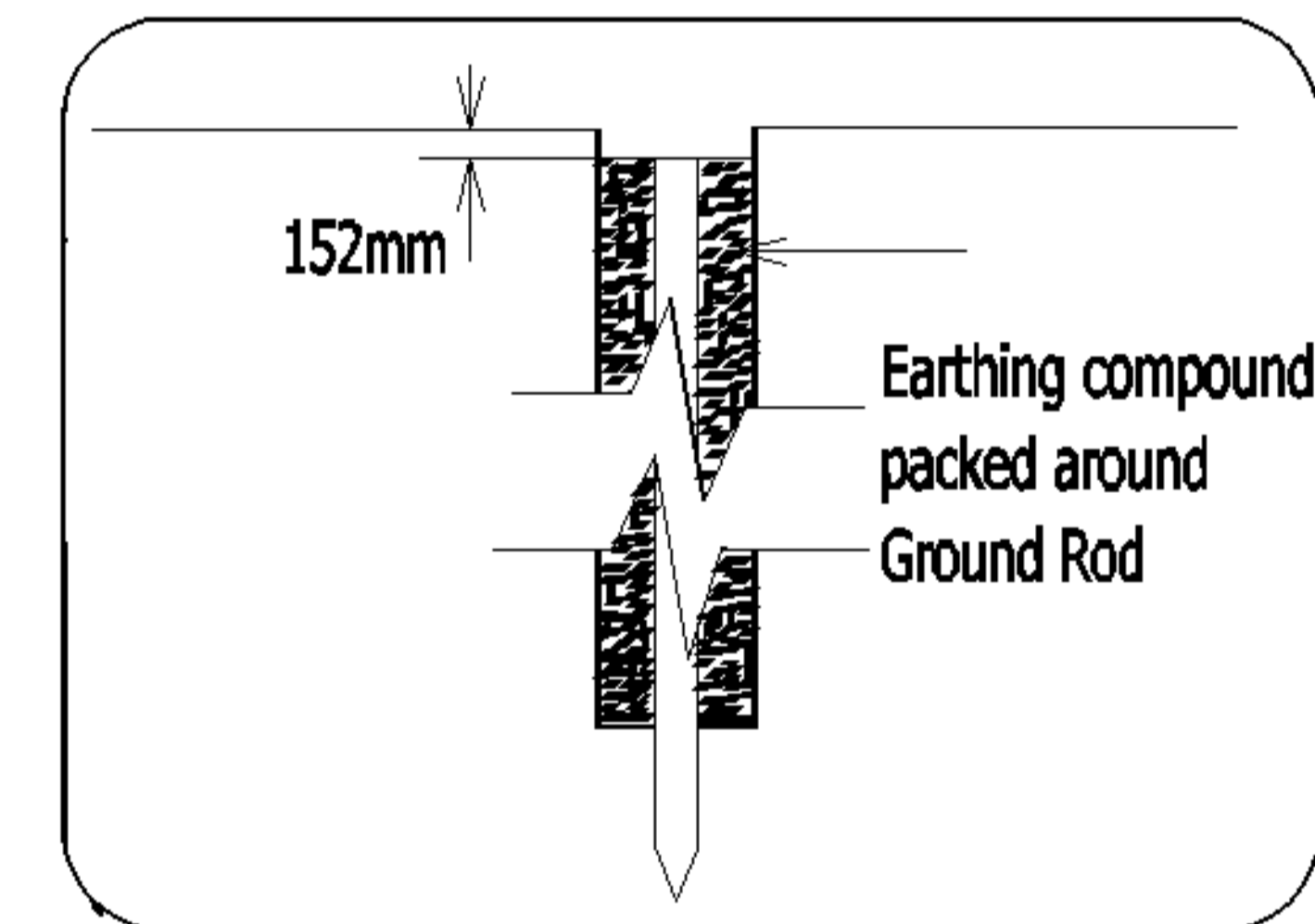
2. Hammer ground rod into the hole till approx. 30cms into the base of the hole.

Top of the rod to be approx. 15cm below ground level, at this stage make any connections to the rod.

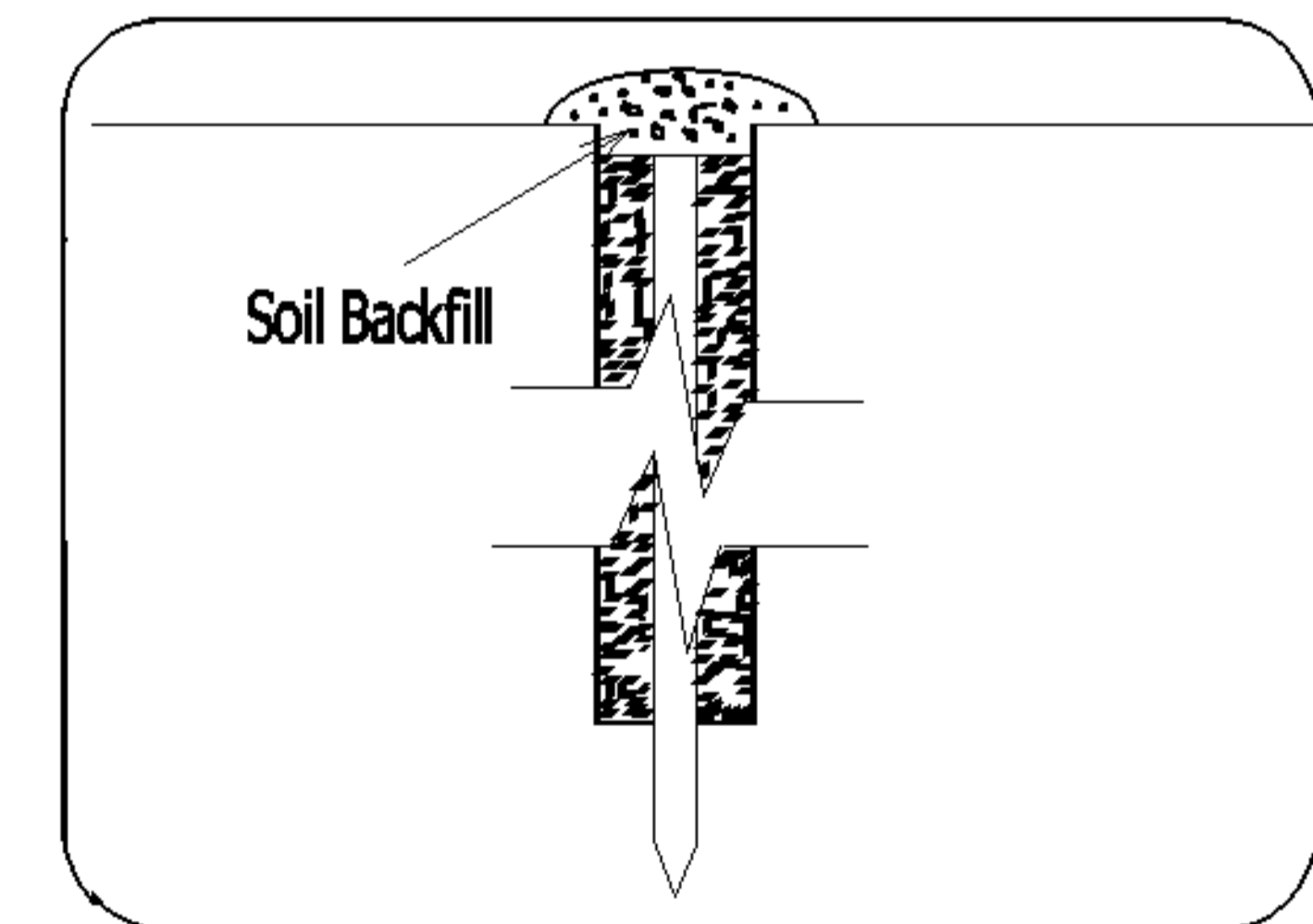


3. Pour the appropriate amount of earthing compound around the rod till completely filled.

Compress GEM around rod with a pole.



4. Fill remainder of the hole with soil ( 15cm depth )



DES	GEM
DRN	A. SCHMID
CKD	R. CLEOPAS
APPD	C. FOO
SCALE	N.T.S.
ISSUED	SEPT.'04
ALL DIM.	IN mm
DRAFTING STANDARD TO	A.S.1100

POWER STANDARD DRAWING  
 EARTHING  
 GROUND ROD BACKFILL INSTALLATION

0	ISSUED FOR CONSTRUCTION	A.S.	SEPT.'04	R.C.	C.F.
NO	DESCRIPTION	DRN	DATE	CKD	APPD
AMENDMENTS					

A3	DRAWING NUMBER	S02-1-5-2
CAD PRODUCT - DO NOT AMEND MANUALLY		

