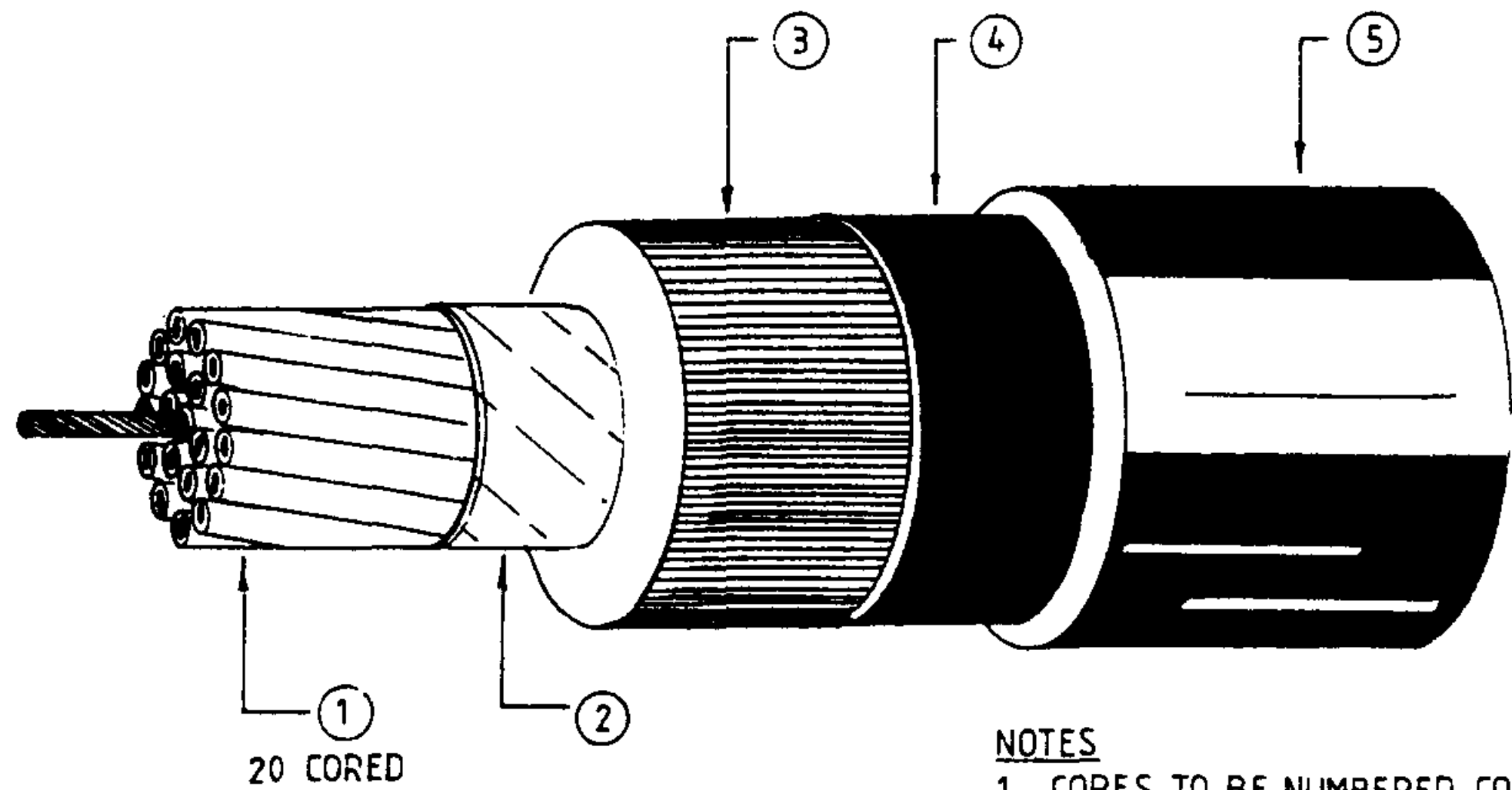
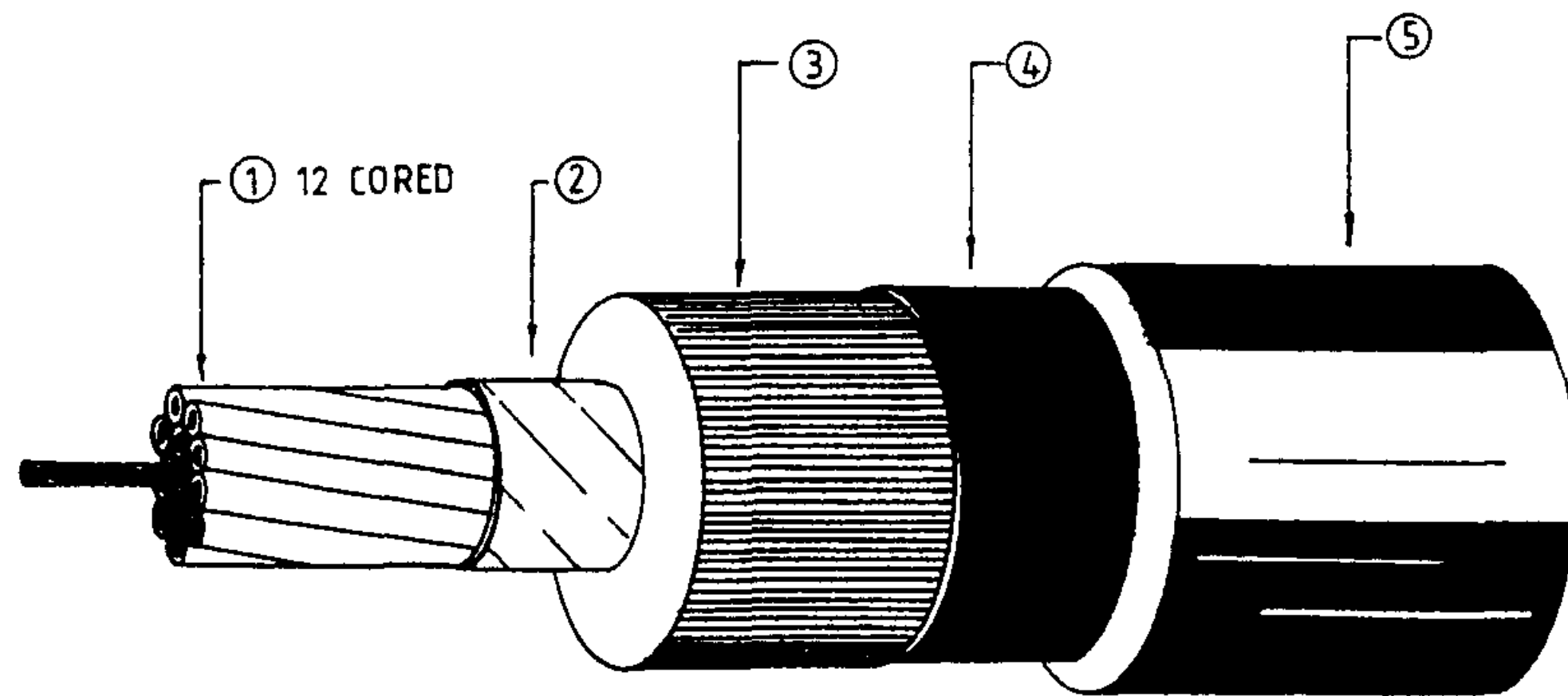


3RD ANGLE — DO NOT SCALE — REPORT ANY ERRORS, OMISSIONS TO DRAFTING OFFICE



ITEM		1	2	3	4	5	6	7
CONDUCTOR AREA	mm <sup>2</sup>	4	4	4	4	2.5	2.5	2.5
CORE INSULATION THICKNESS	mm	1.0	1.0	1.0	1.0	0.8	0.8	0.8
NYLON SHEATH THICKNESS	mm	0.4	0.4	0.4	0.4	0.4	0.4	0.4
PVC SHEATH THICKNESS	mm	1.8	1.8	1.8	1.8	1.8	1.8	1.8
No OF CORES		20	12	4	8	20	12	8
PVC OVERSHEATH THICKNESS	mm	0.6	0.6	0.6	0.6	0.6	0.6	0.6
CONDUCTOR STRANDING	mm	7/0.85	7/0.85	7/0.85	7/0.85	7/0.67	7/0.67	7/0.67
NOMINAL OVERALL DIAMETER	mm	31	25	17	22	26	21	19
STOCK CODE		11932	11940	11965	145052	240077	240085	240093
LENGTH ON DRUM	m	500	500	500	500	500	500	500

DESCRIPTION	
1	CONDUCTOR-COPPER-WHITE P.V.C. INSULATED
2	BINDER-POLYETHYLENE TEREPHTHALATE TAPE
3	SHEATH-PVC BLACK - 4V-75
4	ANTI-TERMITE JACKET- EXTRUDED NYLON 11 OR 12 BLACK
5	OVERSHEATH-PVC 4V-75- BLACK

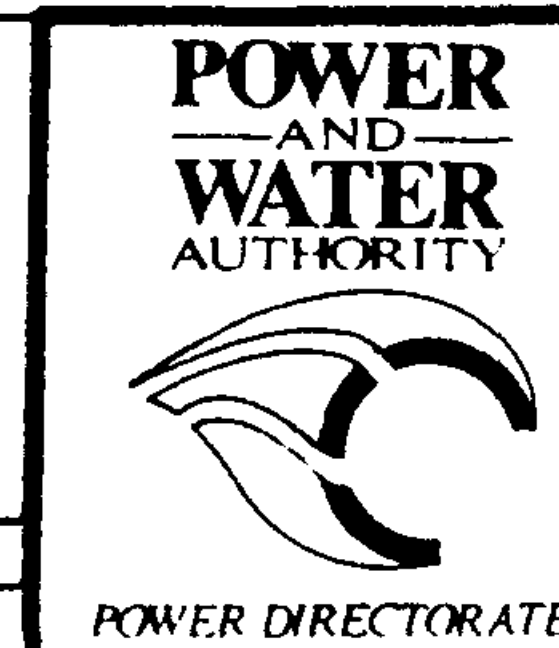
**NOTES**

1. CORES TO BE NUMBERED CONSECUTIVELY WITH WRITTEN AND NUMERIC DESIGNATION ADJACENT AT A SPACE OF 100 mm.
2. THE CABLE LENGTH SHALL BE IMPRINTED ON THE OUTER SHEATH OF THE CABLE. THE CABLE LENGTH SHALL BE MARKED WITH CONSECUTIVE NUMBERS EVERY METRE FOR THE ENTIRE LENGTH OF THE CABLE SO THAT AS THE CABLE IS USED THE LENGTH REMAINING ON THE DRUM CAN BE EASILY READ ON THE CABLE OVERSHEATH.

3. THE CABLE SHALL CONFORM TO AS 2373

NO	DESCRIPTION	DATE	INT	NO	DESCRIPTION	DATE	INT
12	TABLE ALTERED	7/95	PLD				
11	ITEMS 5,6 & 7 ADDED.	8/90	PLD				
10	TITLE & Drg NUMBER CHANGED	5/88	QJ3				
9	STOCK CODES CORRECTED	03.87	PLD				
8	BRASS TAPE REPLACED WITH NYLON, STOCK CODES & ITEM Nos ADDED	01.87	PLD				
7	REDRAWN & REDESIGNED	1.85	PLD				

NO	DESCRIPTION	DATE	INT	NO	DESCRIPTION	DATE	INT
	AMENDMENTS				AMENDMENTS		



DES R. HAIGH	NT STANDARD DRAWING	
DRN E.S. TULLY	TITLE CABLES	
CKD <i>[Signature]</i> 27/6/85	COPPER-MULTI CORE	
APPD <i>[Signature]</i>	CONTROL	
ISSUED 6/11/85	250 VOLTS	
DRAFTING STANDARD TO AS 1100	A3	DRAWING NUMBER S2-1-1-15
ALL DIM. IN mm	SCALE	SHEET

