

MATERIAL SELECTION TABLE									
T / F SIZE (kVA)	LV CABLE			LUG		BI METAL CLAMP		ISOLATING SWITCH	
	S/C	SIZE	QTY	S/C	QTY	S/C	QTY	S/C	QTY
15	402707	35 sq.mm	15 m	402689	4	115774	3	2220	3
25	402707	35 sq.mm	15 m	402689	4	115774	3	2220	3
50	402707	35 sq.mm	15 m	402689	4	115774	3	2220	3
100	402707	35 sq.mm	15 m	402689	10	115774	3	2246	3
					4			2220	3
200	300368	1x150 sq.mm	15 m	402692	10	115774	3	2246	3
					4			2220	3
315	300368	1x150 sq.mm	15 m	402692	20	115774	6	2170	3
500	400784	1x300 sq.mm	15 m	402695 501149	4 10	115774	6	2170	3

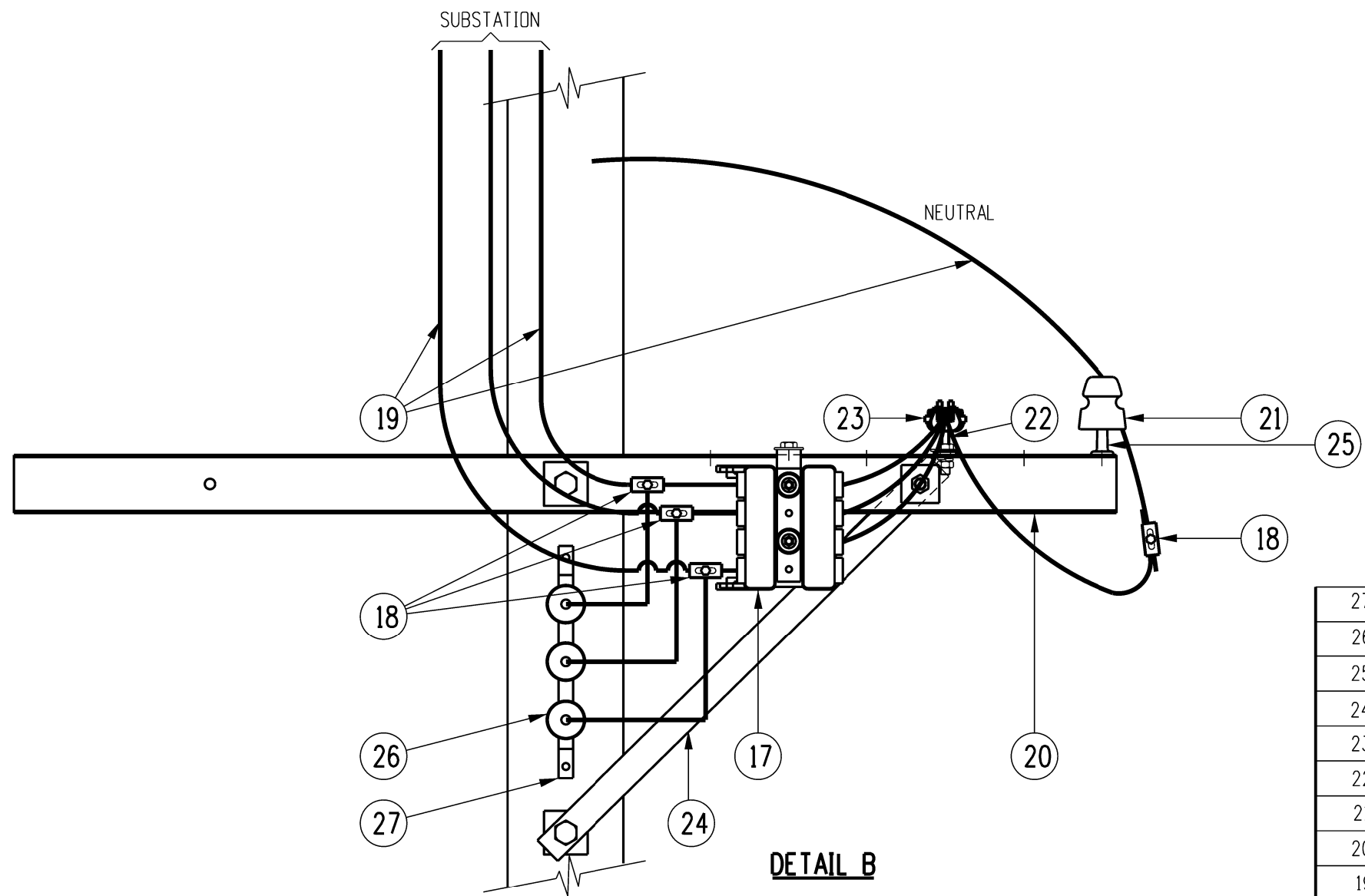
- NOTES :**
1. POLYMER HOUSED SURGE DIVERTERS REPLACE SUPERSEDED PORCELAIN HOUSED SURGE ARRESTORS. REFER S01-1-4-19.
 2. IF BOLTED CABLE LUG (S/C 5785) HAS BEEN USED ON OLDER INSTALLATIONS, REPLACE WITH SUITABLE COMPRESSION LUG.
 3. WHERE GREATER THAN 500KVA TRANSFORMER IS REQUIRED, INSTALL A GROUND MOUNTED SUBSTATION.
 4. REFER SHEET 2 FOR SINGLE CONSUMER CONNECTION DETAILS. FOR LARGE CONSUMER CONNECTION DETAILS REFER TO S01-2-6-18.
 5. REFER S01-2-6-05 FOR LV OVERHEAD MAINS CONNECTION DETAILS.
 6. HV CABLE CONNECTING THE HV OVERHEAD MAINS TO THE EDO ASSEMBLY SHALL BE A FLEXIBLE CABLE. REFER TO S02-1-1-34.
 7. ALL LV CABELING SHALL BE A FLEXIBLE CABLE.
 8. HV BUSHING AND TERMINAL COVERS SHALL BE USED: FOR HV BUSHINGS USE STOCK CODE 115048. FOR OHIO BRASS SURGE ARRSTORS USE STOCK CODE 415335.
 9. REFER TO S01-2-5-24 FOR POLE STRUCTURE.
 10. REFER TO S01-2-3-11, S01-2-3-12 OR S01-2-3-13 FOR UNDERGROUND EARTHING ARRANGMENTS.
 11. REFER TO S01-2-3-23 FOR POLE STRUCTURE EARTHING ARRANGMENTS.
 12. ALL CONNECTIONS SHALL BE GREASED.
 13. REFER TO DETAIL A, SHEET 1 FOR HV SURGE ARRESTOR AND HV BUSHING CONNECTION ARRANGMENT

H/V CABLE			
T/F SIZE (kVA)	SIZE	S/C	
		ITEM 3	ITEM 15
15	35 sqmm	1586	402707
25	35 sqmm	1586	402707
50	35 sqmm	1586	402707
100	35 sqmm	1586	402707
200	70 sqmm	406733	406718
315	70 sqmm	406733	406718
500	70 sqmm	406733	406718

TAG No	QTY.	DESCRIPTION	STOCK CODE	DRG REF
15	AR	35 OR 70SQMM LV FLEXIBLE	REFER TABLE	S02-1-1-34
14	3	SURGE DIVERTER - LV	10041	SI-1-4-20
13	AR	DISCONNECT T	2295	S01-1-4-10
12	3	TERMINATION - BI-METAL - TYPE 'CU'	-	SI-2-1-1
11	AR	BELLMOUTH LUG (REFER TABLE)	402689	S02-1-2-11
10	9	LUG - 35 - 70 sq.mm	402689/406766	-
9	3	ISOLATING SWITCH - LV (REFER TABLE)	-	SI-1-6-1 OR 8
8	1	POLE TOP UNIT - HV	-	SI-2-2-2
7	1	POLE TOP UNIT - LV - TYPE 'a'	-	SI-2-2-1
6	3	SWITCH FUSE ASSEMBLY- 22 kV EDO	3863	SI-1-6-6
5	3	POLYMER SURGE DIVERTER - HV	-	SI-1-4-19
4	AR	CABLE - LV - SINGLE CORE (REFER TABLE)	-	-
3	AR	CABLE - LV- XLPE 35 OR 70 Sq mm Cu	-	S02-1-1-33
2	1	TRANSFORMER - HANGING TYPE	-	S01-1-9-01
1	1	POLE STRUCTURE	-	S01-2-5-24

NO	DESCRIPTION	DRN	DATE	CKD	APPD
24	NOTE 8, STOCK CODE UPDATED	K.T.	APR'16	I.B.	B.C.
23	500KVA LUGS CHANGED	A.T.	JUL'13	L.N.	B.C.
22	NOTES UPDATED, DETAIL A ADDED	C.C.	FEB'12	A.T.	S.C.
21	NOTE 6 ADDED	J.C.	JUN'09	A.T.	S.C.
20	ITEM 13 CHANGED	J.C.	JUN'09	A.T.	S.C.
19	AMENDED ITEM 3 STOCK CODE	J.C.	APR'08	B.C.	S.C.
18	35SQMM CABLE ADDED	J.C.	NOV'07	B.C.	S.C.
17	LV CABLE FOR 300KVA AMENDED	A.S.	MAY'07	B.C.	S.C.
16	DRAWING SPLIT INTO 2 SHEETS	A.S.	APR'07	R.S.	S.C.
15	DROPPER CABLE AMENDED	A.S.	NOV'06	R.S.	S.C.

DES	T.M.-L.	POWER STANDARD DRAWING	
DRN	PMC	SUBSTATIONS, STEP DOWN, SINGLE POLE	
CKD	N.S.	GENERAL ARRANGEMENT	
APPD	B.T.KENT	SHEET 1 OF 2	
SCALE	N.T.S	A3	DRAWING NUMBER S01-2-6-01
ISSUED	FEB'91		
ALL DIM. IN mm			
DRAFTING STANDARD TO A.S.1100		CAD PRODUCT - DO NOT AMEND MANUALLY	



27	1	BRACKET - SURGE DIVERTER	214932	S01-1-4-27
26	3	LV SURGE DIVERTER	10041	S01-1-4-20
25	1	LV PIN	3251	S01-1-4-01
24	1	CROSSARM BRACE	298687	S01-1-4-38
23	1	LV SERVICE CLAMP	-	S01-1-4-28
22	1	HOOK STRAP	9324	S01-1-4-28
21	1	PIN INSULATOR	3277	S01-1-3-01
20	1	LV SERVICE CROSSARM	298554	S01-1-2-11
19	AR	35sqmm SDI CABLE (FROM TRANSFORMER BUSHINGS)	-	-
18	4	CONNECTOR, PIERCING 150/35sq mm	415587	S04-1-2-15
17	1	SWITCH/FUSE BOX	205096	S04-1-3-01
TAG No	QTY.	DESCRIPTION	STOCK CODE	DRG REF

MATERIAL SCHEDULE

NO	DESCRIPTION	DRN	DATE	CKD	APPD
2	PIERCING CONNECTOR AND STRAIN CLAMP UPDATED	A.T.	SEP'12	B.C.	S.C.
1	SURGE DIVERTER ITEM 26 & BRACKET ITEM 27 ADDED	A.S.	JUNE'07	B.C.	S.C.
0	NEW SHEET 2 OF 2	A.S.	APR'07	R.S.	S.C.
AMENDMENTS					



DES	R.S.	POWER STANDARD DRAWING		
DRN	A.S.	SUBSTATIONS, STEP DOWN, SINGLE POLE		
CKD	R.S.	GENERAL ARRANGEMENT		
APPD	S.C.	SHEET 2 OF 2		
SCALE	1:10	A3	DRAWING NUMBER	S01-2-6-01
ISSUED	APR'07			
ALL DIM. IN mm		CAD PRODUCT - DO NOT AMEND MANUALLY		
DRAFTING STANDARD TO A.S.1100		AMDT		