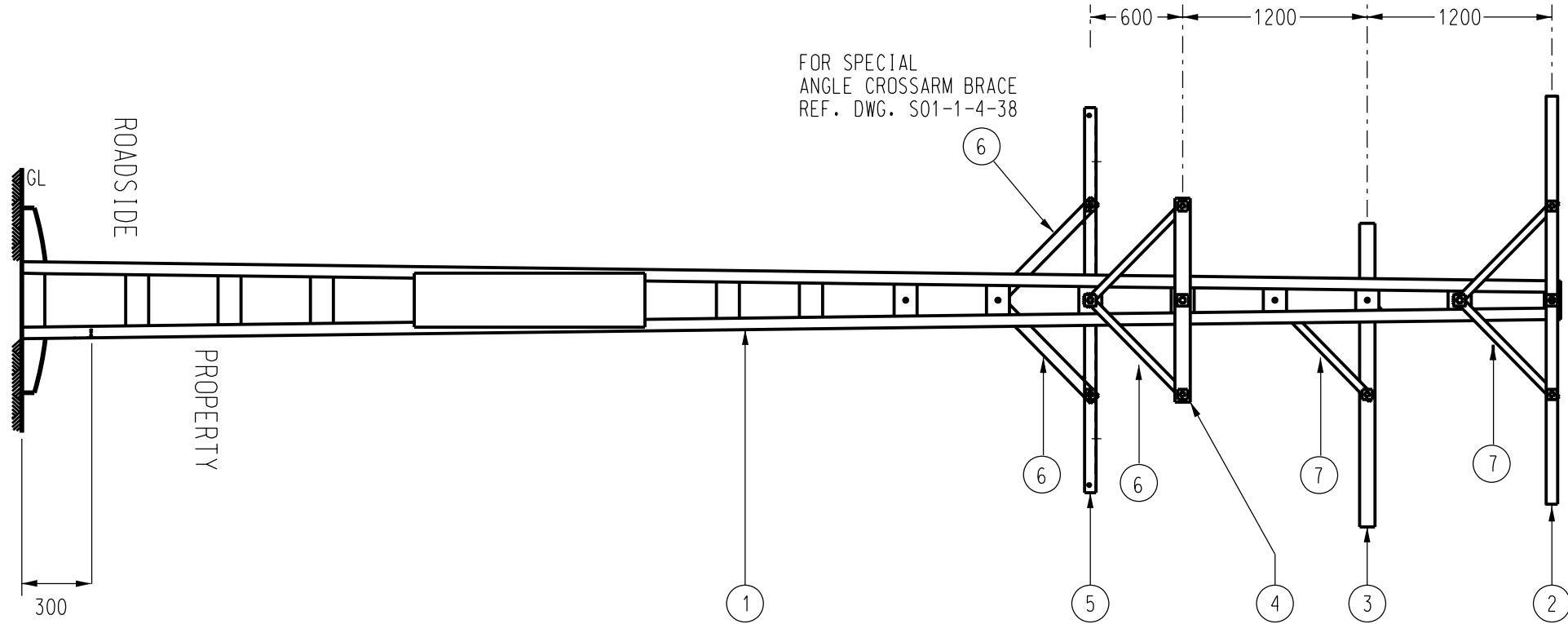


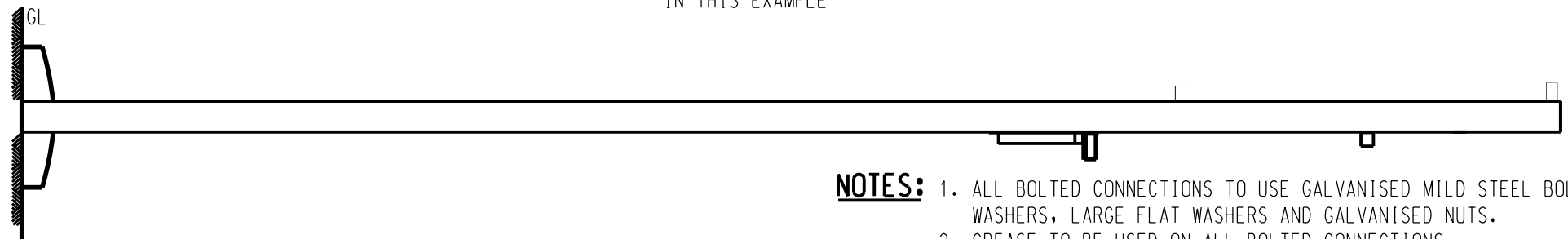
ELEVATION
SCALE 1:40



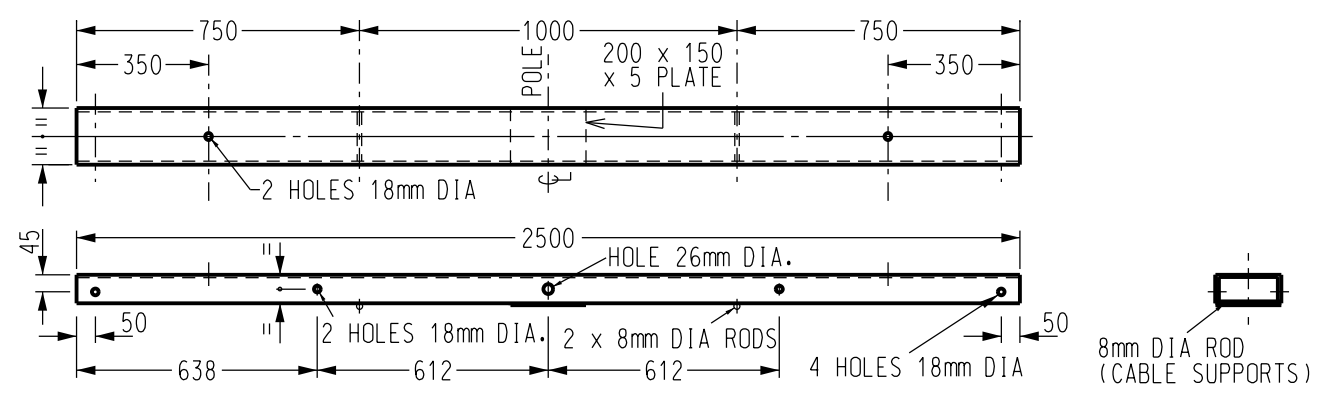
FOR SPECIAL
ANGLE CROSSARM BRACE
REF. DWG. S01-1-4-38

12.0m 'C' POLE USED
IN THIS EXAMPLE

END ELEVATION
SCALE 1:40



- NOTES:**
1. ALL BOLTED CONNECTIONS TO USE GALVANISED MILD STEEL BOLTS, SPRING WASHERS, LARGE FLAT WASHERS AND GALVANISED NUTS.
 2. GREASE TO BE USED ON ALL BOLTED CONNECTIONS.
 3. REFER TO S01-4-4-01 PN PROCEDURE 'POLE INSTALLATION PROCEDURE (CIVIL WORKS)' FOR THE REQUIREMENTS & INSTALLATION OF POLE FOUNDATIONS.



ITEM 5 - CROSSARM LV ABC TERMINATION
MATERIAL 150 PFC

ITEM	QTY	DESCRIPTION	ITEM NUMBER	DRG REF
7	3	FLAT CROSSARM BRACE 50x5 DURAGAL CF	298687	S01-1-4-38
6	4	ANGLE CROSSARM BRACE 75x75x5 DURAGAL CA	400815	S01-1-4-38
5	1	CROSSARM, TRANSF. LV - ABC TERM. & FUSE SWITCH BRACKET	207175	S04-1-2-01
4	1	CROSSARM, TRANSFORMER MOUNTING, & M24 BOLT 400 LONG	298596	S01-1-2-12
3	1	CROSSARM, HV EDO MOUNTING, & M24 BOLT 180 LONG	298547	S01-1-2-10
2	1	CROSSARM HV, & M24 BOLT 210 LONG	414398	S01-1-2-10
1	1	LINE POLE, UNIVERSAL POLE	299115	S01-1-1-09

NO	DESCRIPTION	DRN	DATE	CKD	APPD
4	ITEM NUMBER AMENDED	C.C.	MAY'18	I.B.	B.C.
3	NOTE 3 ADDED, MATERIAL SCHEDULE AMENDED	C.C.	JUN'16	I.B.	B.C.
2	ITEM 7 & 8 ADDED, EDO CROSSARM LOWERED TO 600mm.	C.C.	MAY'05	R.C.	C.C.
1	ITEM 5 : STOCK CODE ADDED/ITEM 3 : 600mm LOWERED	C.C.	27.1.04	R.C.	M.B.
0	ISSUED FOR CONSTRUCTION	C.C.	10.04.02	M.B.	F.R.R.
A	ISSUED FOR COMMENT	C.C.	21.12.01	M.B.	F.R.R.



DES	M. BOCK	POWER STANDARD DRAWING	
DRN	R. INNES	POLE STRUCTURES - BOLTED CONNECTIONS	
CKD	M. BOCK	SUBSTATION - LV ABC	
APPD	F. ROBSON	SINGLE POLE	
SCALE	1:40	A3	DRAWING NUMBER S01-2-5-28
ISSUED	JULY'00		
ALL DIM. IN mm			
DRAFTING STANDARD TO A.S.1100		CAD PRODUCT - DO NOT AMEND MANUALLY	

