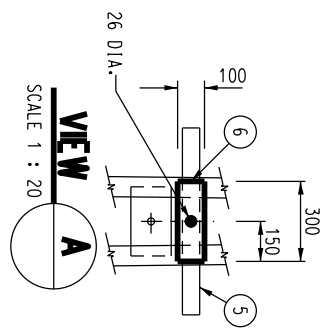


17	1	METERING BOX 600 x 600 x 343, PANEL SIZE 525 x 550		
16	2	BOLT M16, 60 LONG, SPRING WASHER & NUT		
15	6	CABLE CLAMP, MILLSTRUT "KS2032-1"		
14	6	UNISTRUT 1000, 200 LONG		
13	1	THREADED ROD M24, 400 LONG, 2 x LARGE FLAT WASHER, 2 x SPRING WASHER & 2 x NUT		
12	3	BOLT M24, 65 LONG, 2 x LARGE FLAT WASHER, SPRING WASHER & NUT		
11	3	BOLT M16, 180 LONG, 2 x LARGE FLAT WASHER, SPRING WASHER & NUT		
10	3	BOLT M16, 130 LONG, 2 x LARGE FLAT WASHER, SPRING WASHER & NUT		
9	2	BOLT M16, 60 LONG, 2 x LARGE FLAT WASHER, SPRING WASHER & NUT		
8	2	METER BOX BRACKET 50 x 10 FLAT STEEL 580 LONG		
7	5	CROSSARM BRACE	S1-1-4-38	298687
6	1	COUNTER PLATE FOR STABILIZING ARM 100 x 10 x 300 FL ST	SEE VIEW A	.....
5	1	HV - METERING UNIT HANGING STABILIZING ARM	SEE DETAIL '1'	.....
4	1	HV - METERING UNIT CROSSARM	SEE DETAIL '1'	.....
3	1	SURGE DIVERTER CROSSARM	S01-1-2-12	400797
2	1	HV - TERMINATION CROSSARM	S01-1-2-10	414398
1	1	POLE TYPE 13.5C	S01-1-1-10	299123
ITEM	QTY.	DESCRIPTION	STD. DWG. No.	ITEM NUMBER

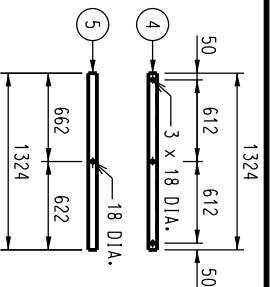


**NOTES :**

1. REFER DRAWING No. S01-1-5-02 FOR EARTH TEST LINK DETAILS.
2. REFER DRAWING No. S01-2-8-02 FOR GENERAL ARRANGEMENT.
3. REFER DRAWING No. S01-1-9-06 FOR METERING UNIT SPECIFICATIONS.
4. ATTACH UNISTRAT ITEM 14,15.
5. DRILL 18mm HOLES IN CENTRE OF POLE BRACES AND 40mm FROM EDGE FOR ATTACHMENT OF METER BOX BRACKETS ITEM 8.
6. REFER TO S01-4-4-01 'POLE INSTALLATION PROCEDURE (CIVIL WORKS)' FOR THE REQUIREMENT AND INSTALLATION OF POLE CONCRETE FOUNDATIONS.

MATERIAL : 65 x 65 x 6 SHS DURACAL  
SCALE 1 : 20

**DETAIL '1'**



NO	DESCRIPTION	DRN	DATE	CKD	APPD
4	ITEM NUMBER AMENDED	C.C.	MAY'18	I.B.	B.C.
3	REMOVED POLE FOUNDATION, NOTE 5 ADDED.	K.T.	JUN'16	I.B.	F.R.R.
2	STOCK CODE ADDED TO ITEM 3	A.S.	24.9.04	R.C.	M.B.
1	ADDED ITEM 17 AND CHANGED ITEM 5 TO 1324 LONG	A.S.	29.1.04	R.C.	M.B.
0	ISSUED FOR CONSTRUCTION	A.S.	APR'02	M.B.	F.R.R.

**PowerWater**  
NORTHERN TERRITORY

DES	M. BOCK	POWER STANDARD DRAWING	
DRN	A. SCHMID	POLE STRUCTURES	
CKD	M. BOCK	HV - METERING	
APPD	F. ROBSON	BOLTED CONNECTIONS TYPE	
SCALE	1:40	A3	DRAWING NUMBER S01-2-5-27
ISSUED	FEB. '02		
ALL DIM. IN mm		CAD PRODUCT - DO NOT AMEND MANUALLY	

