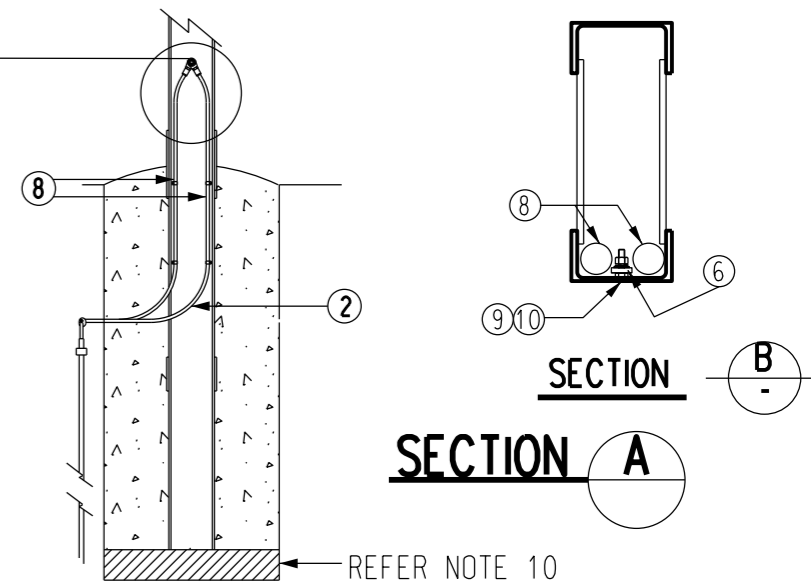


- NOTES:
1. EARTH ELECTRODES ARE TO BE PLACED DIRECTLY BELOW CENTERLINE OF OVERHEAD CONDUCTORS.
  2. COMBINED EARTH ELECTRODES AND POLE FOOTING EARTH RESISTANCE TO BE 30 OHM MAX WHEN ALL MEN AND CMEN CONNECTIONS ARE REMOVED.
  3. COMBINED EARTH GRID RESISTANCE IS TO BE 1 OHM MAX WHEN ALL MEN AND CMEN CONNECTIONS ARE MADE.
  4. IF ABOVE VALUES CAN NOT BE ACHIEVED CONTACT THE PROJECT MANAGER.
  5. THIS ARRANGEMENT IS TO BE USED WHERE SURFACE SOIL RESISTIVITY (TEST ELECTRODE SEPARATION IS 1 METER) IS MORE THAN 350 OHM/M AND LESS THAN 500 OHM/M.
  6. BORED HOLE IS TO BE 4600 DEEP USING MINIMUM DIAMETER AUGER.
  7. IF BORED HOLE IS LESS THAN 75mm DIAMETER, BACKFILL WITH A MIXTURE OF EARTHING COMPOUND/WATER RATIOS BEING 2-3 (10kg) BAGS:10/15 LITRES WATER. IF BORED HOLE IS GREATER THAN 75mm BACKFILL WITH SELECTED SOIL MIXED WITH EARTHING COMPOUND AT 1:1 RATIO AND PLACED IN THE HOLE DRY AND PROGRESSIVELY WATERED.
  8. USE 4M OF 70sqmm YELLOW/GREEN INSULATED CABLE (ITEM 2) FROM EARTH BOLT ON THE POLE TO BARE COPPER 70sqmm EARTHING CABLE (ITEM 4). DISTANCE FROM BASE OF POLE TO CONNECTION POINT IS TO BE 1 METER.
  9. 2x GALVANIZED PIPE 25mm I.D. TO BE INSERTED INTO THE POLE FOUNDATION DURING CONSTRUCTION WITH 200mm ABOVE GROUND LEVEL AND 200mm BELOW GROUND LEVEL. YELLOW/GREEN INSULATED CABLE IS TO PASS THROUGH THIS GALVANIZED PIPE. PLACE THE GALVANIZED PIPES SO THAT THEY ARE SHIELDED BY THE POLE, BUT ARE ALSO ACCESSIBLE FOR TONG TESTING OF THE EARTH GRID.
  10. REFER TO S01-4-4-01 PN PROCEDURE 'POLE INSTALLATION PROCEDURE (CIVIL WORKS)' FOR THE REQUIREMENT & INSTALLATION OF POLE CONCRETE FOUNDATIONS.



TAG	QTY.	DESCRIPTION	DRG. REF	STOCK CODE
10	1	M12 FLAT WASHER	S01-1-4-43	400832
9	1	M12x40 BOLT & NUT	S01-1-4-43	503669
8	2	GAL. PIPE 25mm I.D.	-	-
7	8	'C' CONNECTOR EARTHING COMPRESSION	S01-1-5-08	255786
6	2	COMPRESSION LUG 70 sqmm	-	5512
5	48M	MARKER TAPE	S02-1-8-05	6569
4	63M	CONDUCTOR COPPER 19/2.14 70sqmm	-	9803
3	6	CONNECTOR EARTHING COMPRESSION	S01-1-5-08	257394
2	4m	Y/GR BUILDING WIRE 70sqmm	S02-1-1-23	401059
1	6	EARTH ROD	S01-1-5-01	414060

**MATERIAL SCHEDULE**

NO	DESCRIPTION	DRN	DATE	CKD	APPD
8	ITEMS 9 & 10 ADDED, NOTE 10 ADDED, FOUNDATION AMENDED	K.T.	JUN'16	I.B.	B.C.
7	MATERIAL SCHEDULE UPDATED	A.T.	JAN'15	I.B.	B.C.
6	NOTES UPDATED, EARTH STAKE DEPTH ADDED GAL. PIPE ADDED	C.M.	SEP'10	A.T.	S.C.
5	REMOVED TEST LINK & COPPER STRAP, ALTERNATIVE EARTHING METHOD SHOWN, NOTE 6 ADDED	A.S.	FEB'04	R.C.	M.B.
4	COMPRESSION LUG (TAG No.6) CHGD. TO 'QUICKLUG'	J.A.L	MAY'95	S.C.M.	P.J.D
3	REDRAWN AND REVISED	G.R.	JUL'94	A.G.	A.G.B

**AMENDMENTS**

**PowerWater**  
NORTHERN TERRITORY

DES M. BOCK  
DRN A. SCHMID  
CKD M. BOCK  
APPD . . . .  
SCALE NTS  
ISSUED AUG.'03  
ALL DIM. IN mm  
DRAFTING STANDARD TO A.S.1100

**EARTHING**  
**GENERAL ARRANGEMENT - TYPE 3**  
**EARTHING ELECTRODES**

A3 DRAWING NUMBER **S01-2-3-13**

CAD PRODUCT - DO NOT AMEND MANUALLY

AMDT