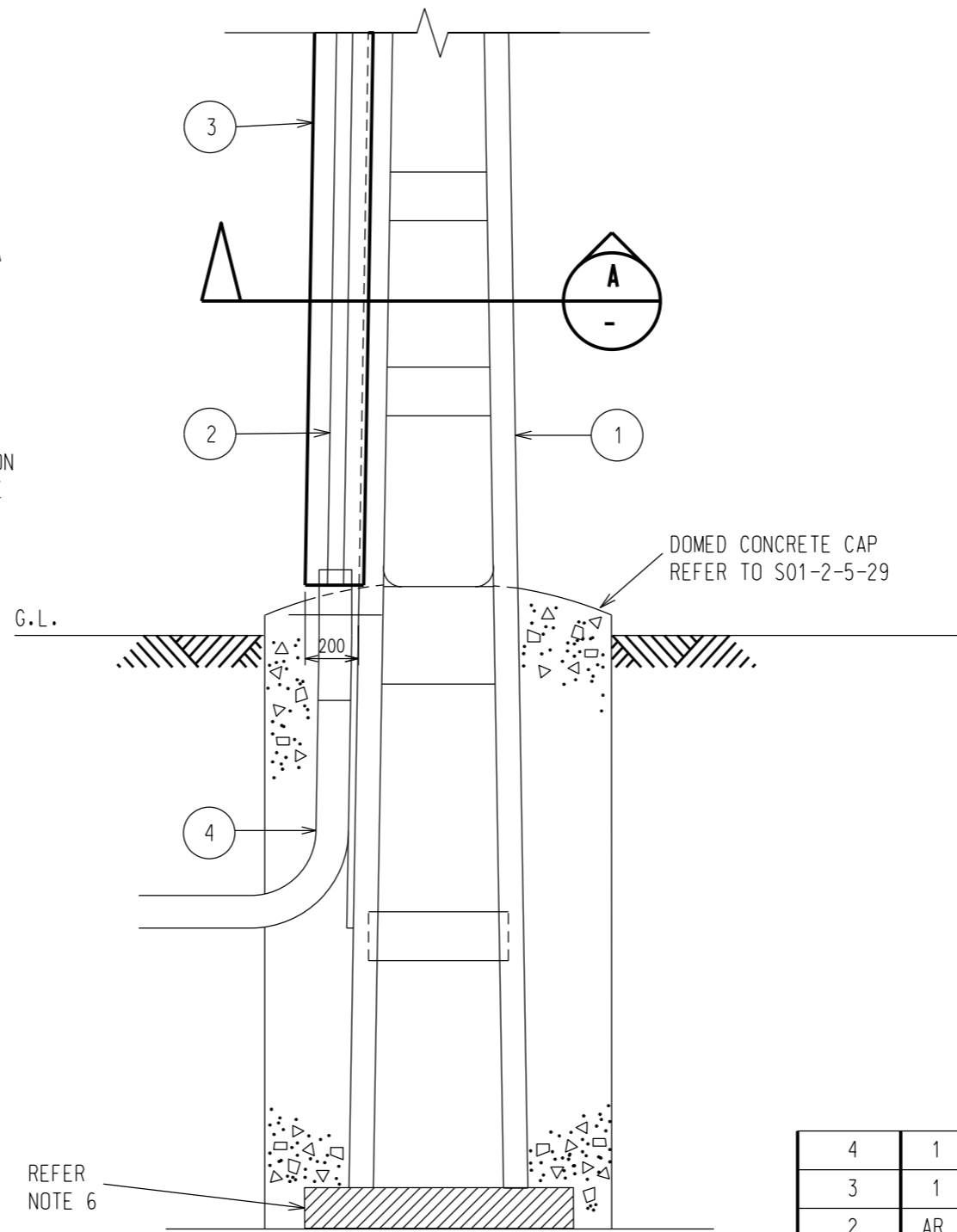


SECTION A
SCALE 1:10



NOTES:

1. TOP OF CONDUIT TO BE SEALED WITH EXPANDING FOAM AND TO BE ENCLOSED BY CABLE PROTECTION CHANNEL.
2. CABLE PROTECTION CHANNEL TO BE 2.0 METRES LONG.
3. THERE MUST BE SUFFICIENT CLEARANCE BETWEEN CONDUIT, CABLE CHANNEL AND POLE FOUNDATION FOR WATER DRAINAGE.
4. FOR CABLES INSTALLED ON 'WEAK' SIDE OF POLE, A BACKING PLATE THE SAME DIMENSIONS AS THE CABLE CHANNEL MUST BE INSTALLED BETWEEN THE POLE AND THE HV CABLE.
5. WHEN A PRE-EXISTING POLE IS TO BE USED, THE EXISTING POLE'S CONCRETE FOOTINGS MUST BE BROKEN FOR THE CONDUIT TO BE INSTALLED AS SHOWN. THE CONCRETE FOOTING IS TO BE REPAIRED AS PER DRAWING S01-2-5-29.
6. REFER TO S01-4-4-01 PN PROCEDURE 'POLE INSTALLATION PROCEDURE (CIVIL WORKS)' FOR THE REQUIREMENT AND INSTALLATION OF POLE CONCRETE FOUNDATIONS.

TAG No.	QTY.	DESCRIPTION	STOCK CODE	DRG REF
4	1	BEND, SWEEP, 90 DEG. CONDUIT 150mm	157032	S02-1-9-02
3	1	CABLE PROTECTION CHANNEL	-	S01-1-4-30
2	AR	UNDERGROUND CABLE	-	S02-1-1-19
1	1	POLE STRUCTURE	-	-

MATERIAL SCHEDULE

NO	DESCRIPTION	DRN	DATE	CKD	APPD
2	NOTE 6 ADDED, CONCRETE FOUNDATION AMENDED, DWG AMEND. No. REVISED	K.T.	JUN'16	I.B.	B.C.
1	ADDED NOTES & MORE TO DETAIL 'A'	C.M.	SEP'08	A.T.	S.C.
0	ISSUED FOR COMMENT	J.C.	JUN'08	A.T.	S.C.



DES	A.T.	POWER STANDARD DRAWING		
DRN	J.C.	HV - OVERHEAD TO UNDERGROUND GROUND LEVEL DETAIL		
CKD	A.T.			
APPD	S.C.			
SCALE	1:5			
ISSUED	JUNE'08	A3	DRAWING NUMBER	S01-2-4-12
ALL DIM. IN mm				
DRAFTING STANDARD TO A.S.1100		CAD PRODUCT - DO NOT AMEND MANUALLY		AMDT