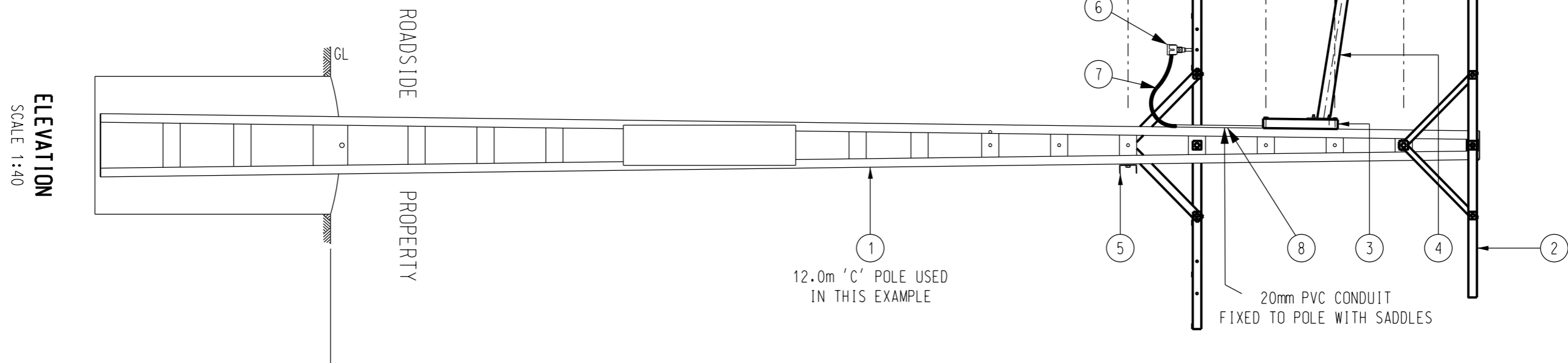


8	AR	20MM PVC GREY CONDUIT	4036	-
7	AR	TWIN CORE 6 SQMM LV ABC	502896	S01-1-7-03
6	1	FUSE HOLDER	241109	S01-1-4-49
5	1	LV SERVICE CROSSARM	-	S01-1-2-11
4	1	4.5m TAPERED STREETLIGHT OUTREACH	6684	S03-1-1-10
3	1	OUTREACH MOUNTING BRACKET	401396	S03-1-3-12
2	1	HV CROSSARM	-	S01-1-2-10
1	1	LINE POLE, UNIVERSAL POLE	-	
ITEM	QTY	DESCRIPTION	STOCK CODE	DRG REF
MATERIAL SCHEDULE				



**NOTES:**

1. ALL BOLTED CONNECTIONS TO USE GALVANISED MILD STEEL BOLTS, SPRING WASHERS, LARGE FLAT WASHERS AND GALVANISED NUTS.
2. GREASE TO BE USED ON ALL BOLTED CONNECTIONS.
3. THIS STREETLIGHT ATTACHMENT ASSEMBLY IS NOT TO BE USED ON TRANSFORMER, CABLE TERMINATION, ABS AND GBS STRUCTURES

NO	DESCRIPTION	DRN	DATE	CKD	APPD
3	1 ITEM 4 UPDTD	A.T.	AUG'16	I.B.	B.C.
2	ITEM 8 ADDED, ITEM 7 AND NOTE 3 AMENDED	C.C.	JAN'15	I.B.	S.C.
1	ITEM 6,7, ADDED	C.C.	AUG'11	A.T.	S.C.
0	ISSUED FOR CONSTRUCTION	A.S.	APR'04	R.C.	M.B.
AMENDMENTS					



DES	R. CLEOPAS	POWER STANDARD DRAWING		
DRN	A. SCHMID	<b>ASSEMBLIES- BOLTED CONNECTIONS STREETLIGHTING ATTACHMENT DETAILS</b>		
CKD	R. CLEOPAS			
APPD	M. BOCK	A3	DRAWING NUMBER	S01-2-1-44
SCALE	1:40			
ISSUED	FEB' 04	CAD PRODUCT - DO NOT AMEND MANUALLY		
ALL DIM.	IN mm			
DRAFTING STANDARD TO A.S.1100		AMDT		