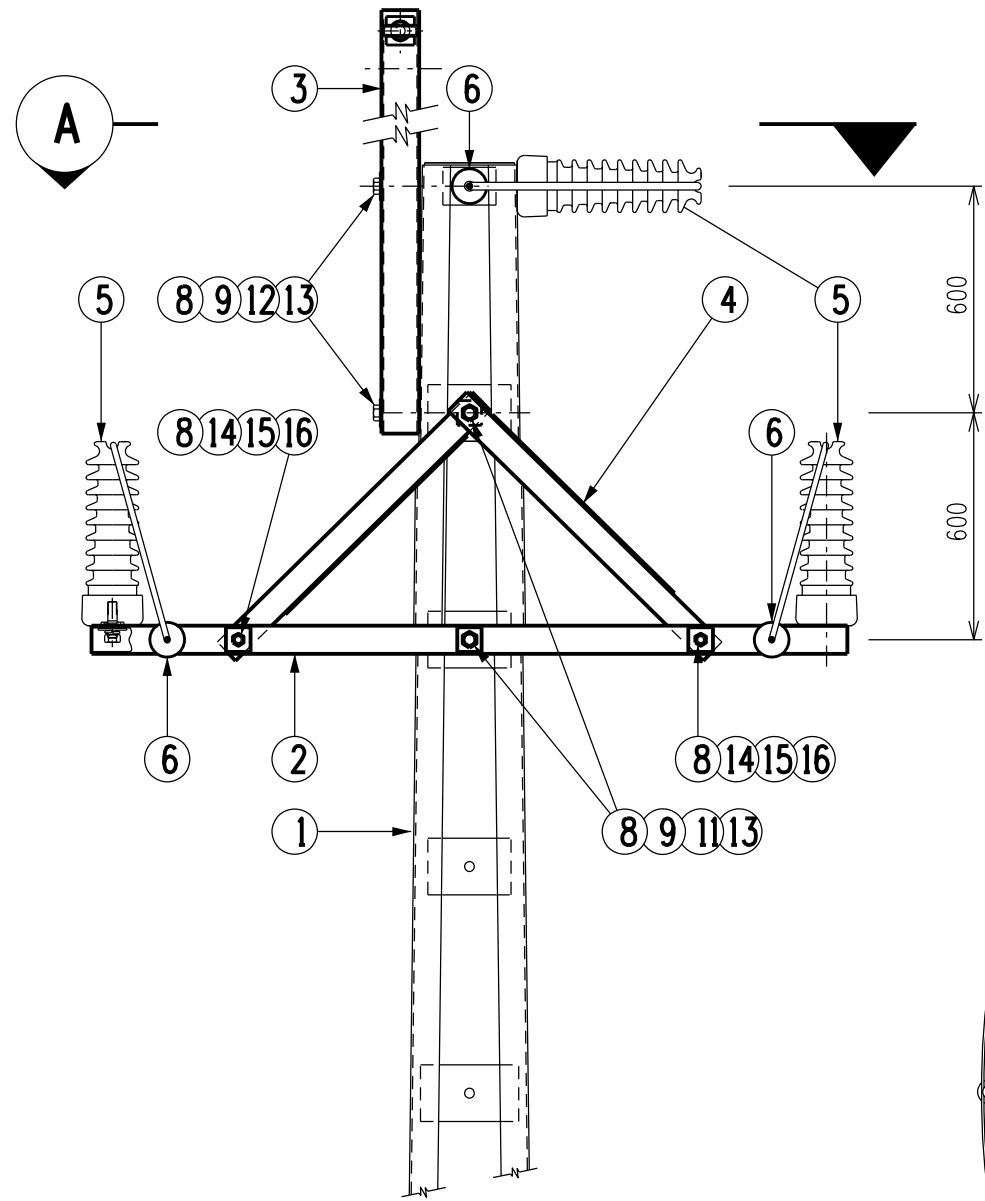
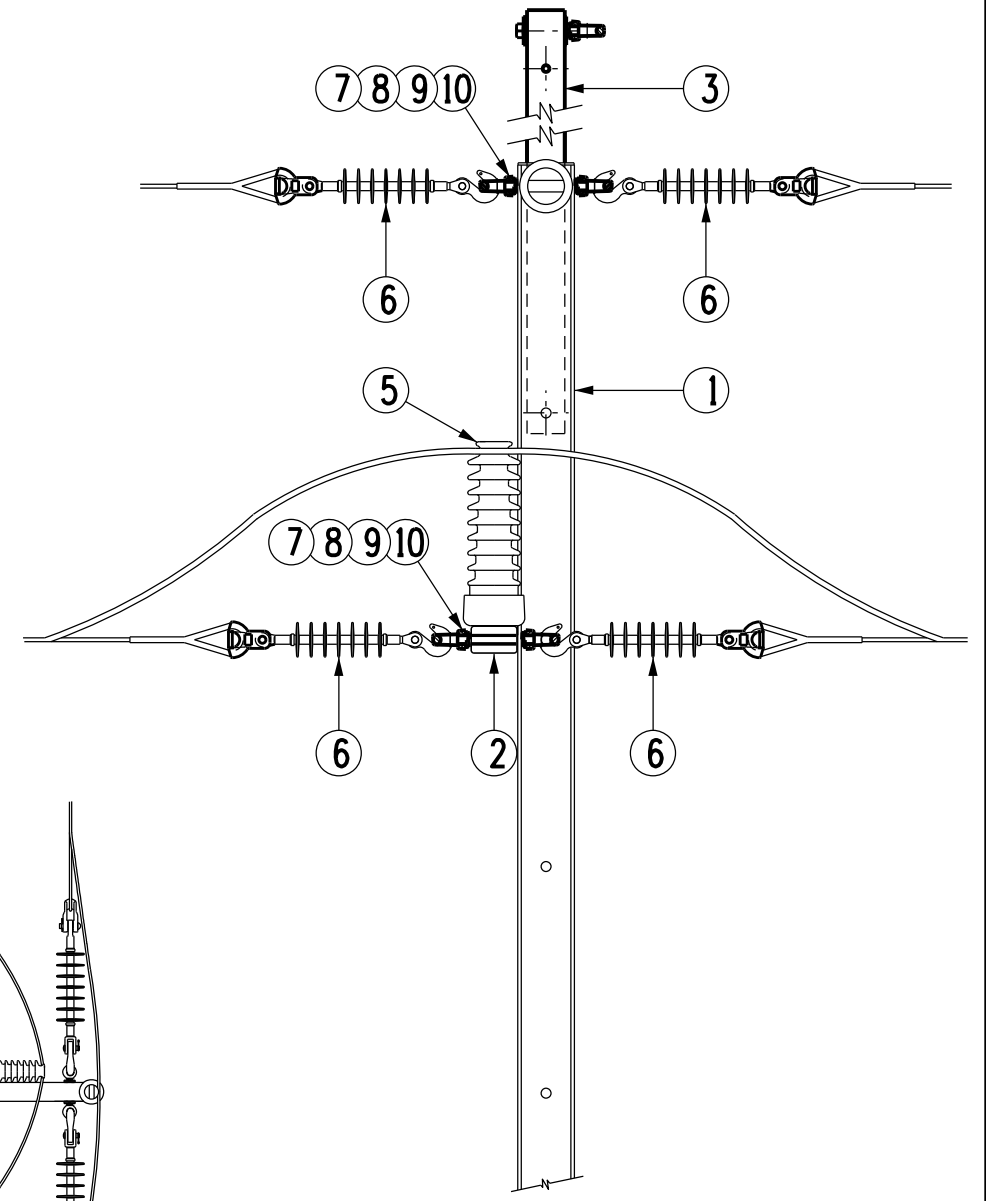


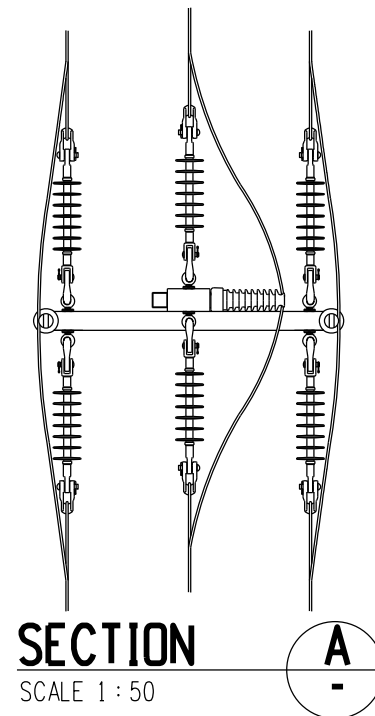
ITEM	QTY.	DESCRIPTION	ITEM NUMBER	DWG. REF.
16	2	M16 NUT	-	S01-1-4-43
15	2	M16 SPRING WASHER	-	S01-1-4-43
14	2	M16 x 115 BOLT	-	S01-1-4-43
13	4	M24 NUT	-	S01-1-4-43
12	2	M24 x 150 BOLT	-	S01-1-4-43
11	2	M24 x 65 BOLT	-	S01-1-4-43
10	6	M24 EYE NUT 18kN	298711	S01-1-4-41
9	9	M24 SPRING WASHER	114330	S01-1-4-43
8	12	M24 LARGE FLAT WASHERS	298828	S01-1-4-43
7	3	M24 GALVANISED THREADED ROD, 210 LONG	-	S01-1-4-43
6	6	STRAIN / SUSPENSION INSULATOR	-	S01-1-3-09
5	3	22kV VERTICAL LINE POST INSULATOR	300467	S01-1-3-10
4	2	ANGLE CROSSARM BRACE	-	S01-1-4-38
3	1	OVERHEAD EARTH RISER	298646	S01-1-2-13
2	1	CROSSARM STEEL HV SUSPENSION TERMINATION LINE POLE	-	S01-1-2-15
1	1	LINE POLE	-	-



ELEVATION (TERMINATION POLE)



END ELEVATION/SECTION
CROSSARM BRACE NOT SHOWN FOR CLARITY



SECTION
SCALE 1 : 50

NO	DESCRIPTION	DRN	DATE	CKD	APPD
2	ITEM NUMBER AMENDED	P.H.	APR'18	I.B.	B.C.
1	DRAWING REFERENCES UPDATED	C.C.	FEB'11	A.T.	S.C.
0	ISSUED FOR CONSTRUCTION	A.S.	JAN'04	M.B.	M.B.

PowerWater
NORTHERN TERRITORY

DES	M. BOCK
DRN	A. SCHMID
CKD	M. BOCK
APPD	C.P.
SCALE	1:20
ISSUED	AUG'02
ALL DIM.	IN mm
DRAFTING STANDARD TO A.S.1100	

POWER STANDARD DRAWING
**ASSEMBLIES
SUSPENSION CONSTRUCTION 22kV
(TERMINATION)
FOR UNIVERSAL POLE CONSTRUCTION**

A3 DRAWING NUMBER **S01-2-1-43**

CAD PRODUCT - DO NOT AMEND MANUALLY

