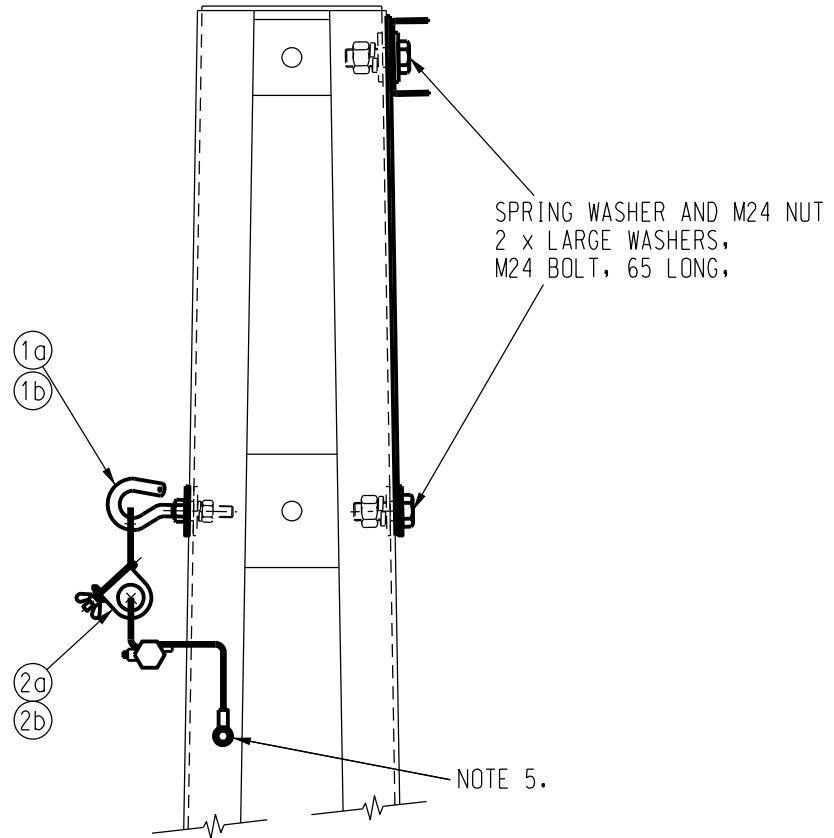


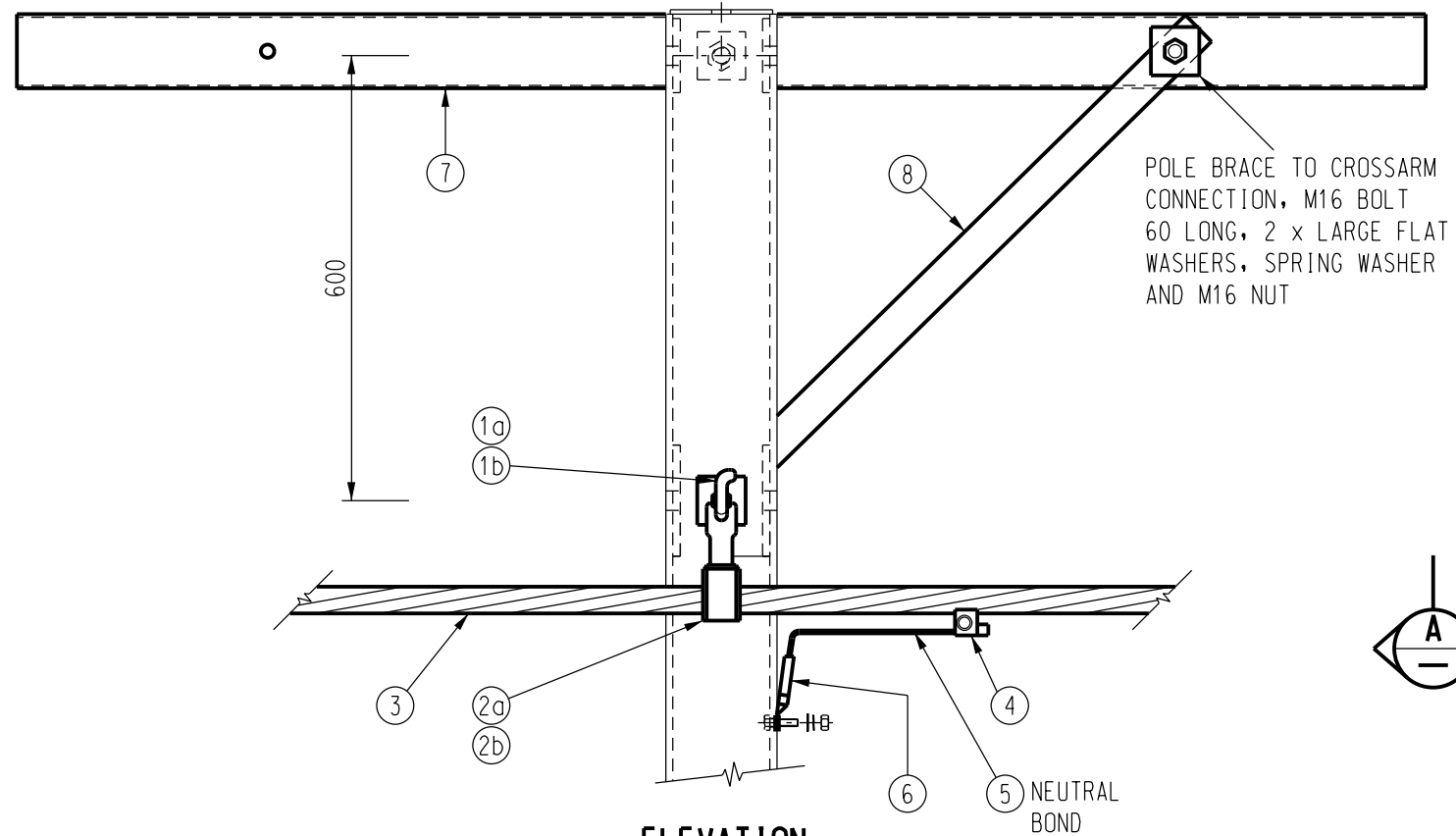
ROAD SIDE

PROPERTY SIDE



VIEW **A**

SCALE 1:10



ELEVATION

SCALE 1:10

NOTES

1. NEUTRAL TO BE BONDED ON EVERY POLE.
2. COPPER NEUTRAL BOND TO BE FITTED BELOW ALUMINIUM CONDUCTORS.
3. FOR CORRECT APPLICATION OF HOOK BOLTS REFER DRGS. S4-2-2-2 & S4-2-2-4 FOR FULL DETAILS.
4. HOOK BOLTS AND SERVICE CROSSARM CAN BE FITTED ON EITHER STRONG OF POLE OR WEAK OF POLE.
5. 14mm DIA. HOLE FOR COMPRESSION LUG TO BE DRILLED ON SITE.

TAG No	QTY	DESCRIPTION	ITEM NUMBER	DRG REF
8	1	BRACE	298687	S1-1-4-38
7	1	LV-SERVICE CROSSARM 100x50x4 DURAGAL CC	298554	S1-1-2-11
6	1	LUG COMPRESSION 35 sq.mm	156240	-
5	-	CABLE Cu PVC 35 sq.mm BLACK	1586	-
4	1	CONNECTOR, PIERCING 95/35	415586	S4-1-2-15
3	-	CABLE LV ABC, 4 x 95 sq.mm	197665	S4-1-1-1
2b	-	CLAMP SUSPENSION COMBINATION 4 x 95 sq.mm	198408	S4-1-2-10
2a	-	CLAMP SUSPENSION 4 x 95 sq.mm	197681	S4-1-2-10
1b	1	HOOK BOLT M16	197731	S4-1-2-7
1a	1	HOOK BOLT M16 NON-BREAKAWAY ASSEMBLY	-	S4-1-2-7

MATERIAL SCHEDULE

1	ITEM NUMBER AMENDED	P.H.	APR'18	I.B.	B.C.
0	ISSUED FOR CONSTRUCTION	A.S.	APR'02	M.B.	F.R.R.
NO	DESCRIPTION	DRN	DATE	CKD	APPD
AMENDMENTS					

PowerWater
NORTHERN TERRITORY

DES	M. BOCK	POWER STANDARD DRAWING		
DRN	A. SCHMID	ASSEMBLIES		
CKD	M. BOCK	LV - ABC - BOLTED CONNECTIONS		
APPD	F. ROBSON	INTERMEDIATE SUSPENSION		
SCALE	AS SHOWN	A3	DRAWING NUMBER	S01-2-1-34
ISSUED	AUG'01			
ALL DIM.	IN mm	DRAFTING STANDARD TO A.S.1100		
CAD PRODUCT - DO NOT AMEND MANUALLY				AMDT