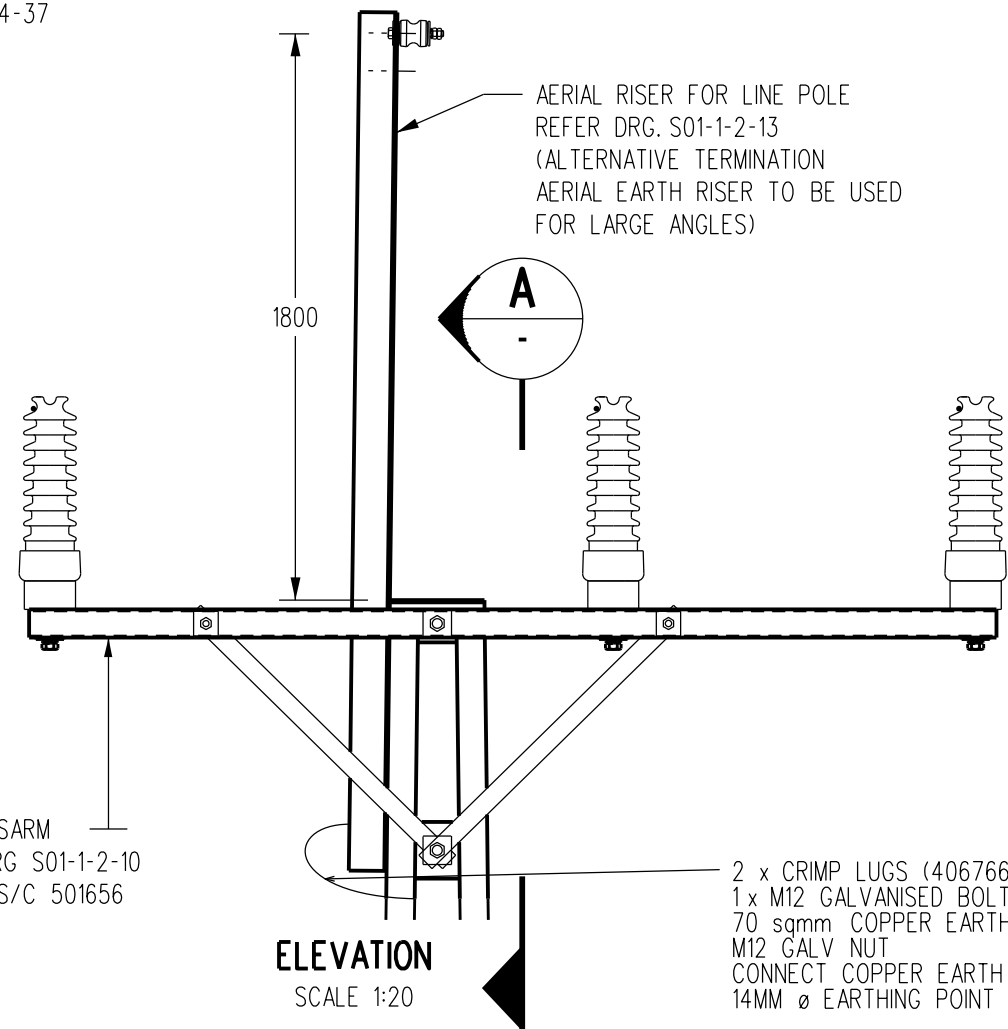


'B TOP' CROSSARM BRACKET  
REFER DRG NO S01-1-4-37

**PLAN**  
SCALE 1:20



HV CROSSARM  
REFER DRG S01-1-2-10  
ITEM 9 S/C 501656

**ELEVATION**  
SCALE 1:20

AERIAL RISER FOR LINE POLE  
REFER DRG. S01-1-2-13  
(ALTERNATIVE TERMINATION  
AERIAL EARTH RISER TO BE USED  
FOR LARGE ANGLES)

2 x CRIMP LUGS (406766)  
1 x M12 GALVANISED BOLT, NUT, WASHER  
70 sqmm COPPER EARTH CONDUCTOR  
M12 GALV NUT  
CONNECT COPPER EARTH CONDUCTOR TO  
14MM Ø EARTHING POINT ON POLE

22kV VERTICAL LINE  
POST INSULATOR  
STOCK CODE 300467  
REFER DRG S01-1-3-10

ALL INSULATORS, USE  
M24 STUD STOCK CODE 300483,  
LARGE FLAT WASHER  
AND SPRING WASHER

POLE BRACE TO CROSSARM  
CONNECTION, M24 GALVANISED  
BOLT 180 LONG,  
2 x LARGE FLAT WASHERS,  
SPRING WASHER AND NUTS

CROSSARM TO B TOP BRACKET CONNECTION,  
M24 BOLT 220 LONG x 2 OFF AND  
M24 BOLT 130 LONG x 1 OFF,  
2 x LARGE FLAT WASHERS,  
SPRING WASHER AND NUTS

26 DIA DRILLED  
BRACE ON POLE

**SECTION A**  
SCALE 1:10

BRACES NOT SHOWN FOR CLARITY

NO	DESCRIPTION	DRN	DATE	CKD	APPD
3	ITEM NUMBER AMENDED	P.H.	APR'18	I.B.	B.C.
2	ADDED EARTH LINK AND DETAILS	A.B.	JAN'17	I.B.	B.C.
1	MATERIAL SCHEDULE ITEM NUMBER UPDATED	C.M.	FEB'10	A.T.	S.C.
0	ISSUED FOR CONSTRUCTION	A.S.	7.3.01	M.B.	F.R.R.
AMENDMENTS					

**PowerWater**  
NORTHERN TERRITORY

DES	M. BOCK
DRN	A. SCHMID
CKD	M. BOCK
APPD	F. ROBSON
SCALE	1:10/1:20
ISSUED	8.2.01
ALL DIM. IN mm	
DRAFTING STANDARD TO A.S.1100	

POWER STANDARD DRAWING

**ASSEMBLIES, OVERHEAD EARTH WIRE  
INSULATORS ON HV 'B TOP'  
FOR UNIVERSAL POLE CONSTRUCTION**

**A3** DRAWING NUMBER **S01-2-1-24**

CAD PRODUCT - DO NOT AMEND MANUALLY

**3**  
AMDT