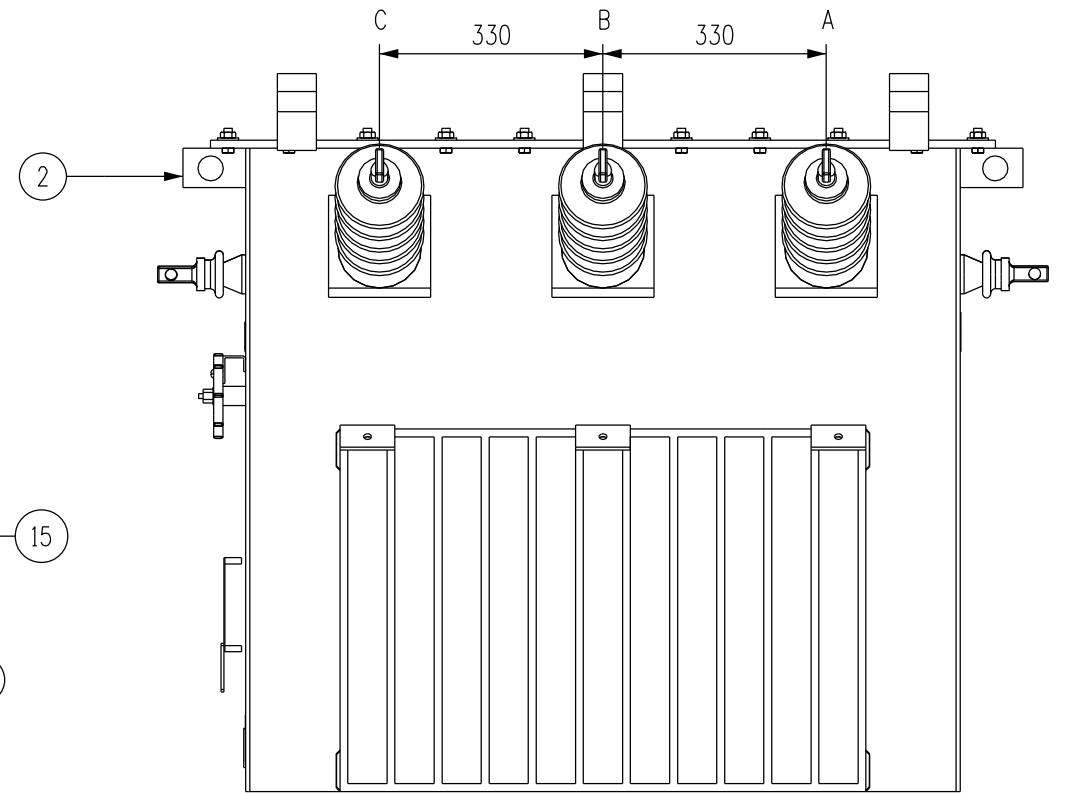
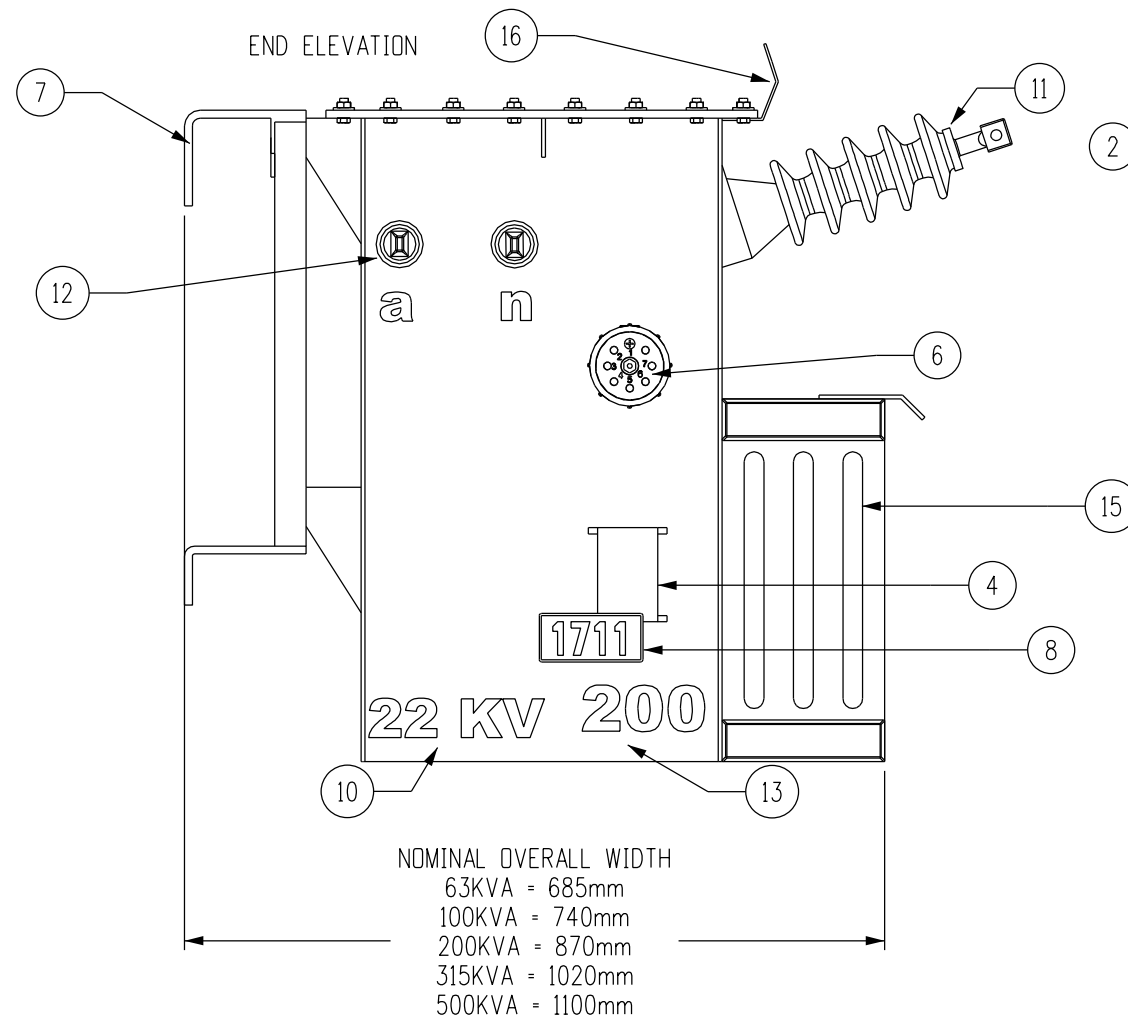


ISOMETRIC ELEVATION



NOTES:

1. VECTOR GROUPINGS TO BE Dyn1.
2. HV WINDING TAPS TO BE +/-2.5%, +/-5%, +7.5% AND +10%.
3. REFER TO STS001A FOR ALL OTHER DETAILS.
4. TRANSFORMERS SHALL BE LESS THAN 2400KG

ITEM NO	SIZE	VOLTAGE		ITEM NUMBER
		PRIM	SEC	
1	200kVA	11kV	433V	172742
2	200kVA	22kV	433V	172874
3	315kVA	11kV	433V	412492
4	315kVA	22kV	433V	412494
5	500kVA	11kV	433V	401026
6	500kVA	22kV	433V	401090
7	100kVA	11kV	433V	172734
8	100kVA	22kV	433V	172866
9	63kVA	11kV	433V	412491
10	63kVA	22kV	433V	413079

TAG NO	DESCRIPTION LIST	TAG NO	DESCRIPTION LIST
10	TRANSFORMER KV RATING STENCIL		
9	EARTH STUD		
8	NUMBER PLATE BRACKET	17	25 X 6.3 Cu BUSBAR CONNECTING LV NEUTRAL BUSHING TO EARTH TERMINAL
7	HANGER		
6	TAP SELECTOR	16	SURGE DIVERTER SUPPORT HOLES
5	BASE CHANNELS	15	COOLING FINS
4	NAME PLATE	14	-
3	EARTH LUG STAINLESS STEEL	13	TRANSFORMER KVA RATING STENCIL
2	LIFTING LUG	12	LV BUSHING
1	FILLER SPOUT C/W GASKETED FLANGE PLUG	11	HV BUSHING 11kV OR 22kV

NO	DESCRIPTION	DRN	DATE	CKD	APPD
4	ITEMS No. 4 AND 5 AMENDED	P.H.	APR'18	I.B.	B.C
3	ITEMS 7, 8, 9 AND 10 ADDED, DRAWING RENAMED,	A.T.	OCT'12	A.T.	B.C.
2	HV AND LV BUSHING ARRANGMENT UPDATED	K.I.	FEB'07	PWC	B.C.
1	TAGS 10 & 13 UPDATED, TAG 14 REMOVED	K.I.	JUN'05	C.C	C.C.
	500KVA TXS & STOCK CODES ADDED				
AMENDMENTS					



DES	A.BUTLER	POWER STANDARD DRAWING	
DRN	R.INNES	TRANSFORMERS 11kV & 22kV - POLE MOUNTED 63kVA & 500kVA GENERAL ARRANGEMENT	
CKD	M.BOCK		
APPD	P.DEWAR		
SCALE	NTS	A3	DRAWING NUMBER S01-1-9-01
ISSUED	20/11/96		
ALL DIM. IN mm			
DRAFTING STANDARD TO A.S.1100		CAD PRODUCT - DO NOT AMEND MANUALLY	

