

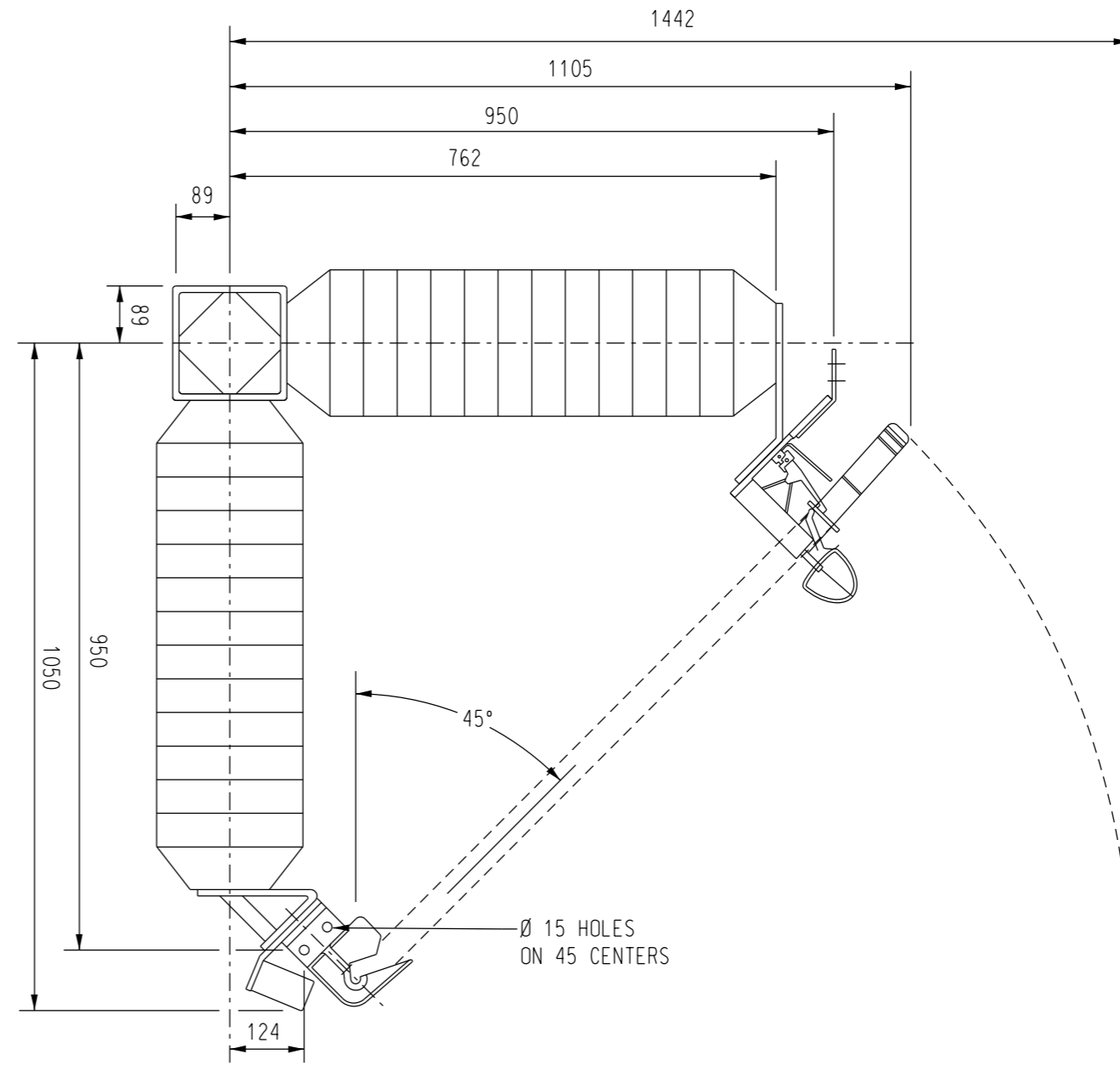
BASE DETAIL

66 kV FUSE UNIT

SMD-1A STOCK CODE 283184
SMD-50 STOCK CODE 285858

66 kV FUSE CARTRIDGE

SMD-1A 15 AMP STOCK CODE 292490
SMD-1A 20 AMP STOCK CODE 415458
SMD-50 20 AMP STOCK CODE 285841



NOTES :

1. DIMENSION BETWEEN TERMINAL PAD SURFACES IS 120.
2. EQUIPMENT SHALL COMPLY WITH AS/IEC 60265 PART 2

NO	DESCRIPTION	DRN	DATE	CKD	APPD
2	FUSE UNIT AND FUSE CARTRIDGE STOCK CODES ADDED, NOTES UPDATED	A.T.	AUG'16	I.B.	B.C.
1	STOCK CODE UPDATED	A.T.	JUN'14	B.C.	B.C.
AMENDMENTS					



DES	...	POWER STANDARD DRAWING		
DRN	J.A.L.	SWITCHGEAR 66 kV FUSES ASSEMBLY		
CKD	...			
APPD	F.ROBSON			
SCALE	1:10			
ISSUED	JUN'98	A3	DRAWING NUMBER	S01-1-6-13
ALL DIM. IN mm				
DRAFTING STANDARD TO A.S.1100		CAD PRODUCT - DO NOT AMEND MANUALLY		 AMDT