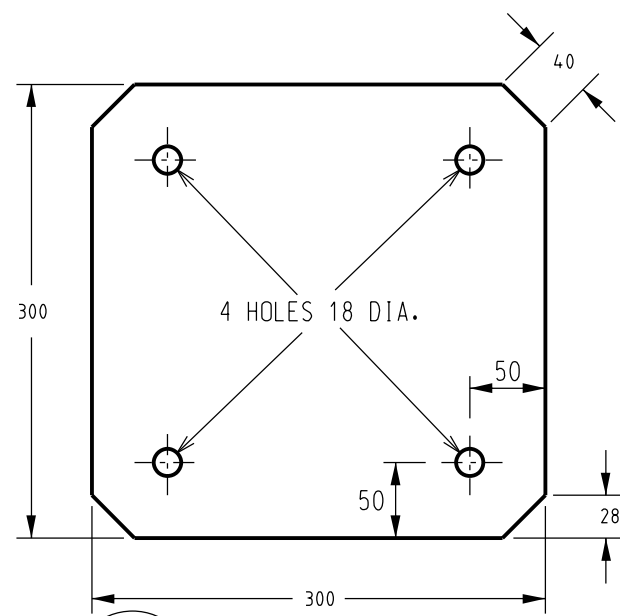


PLAN - BASEPLATE
N.T.S.



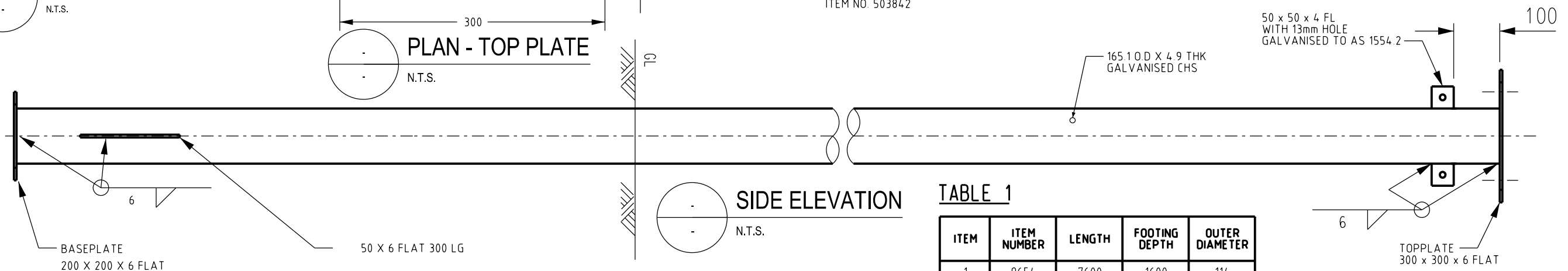
PLAN - TOP PLATE
N.T.S.



285x285x50mm
CONCRETE PAVER (SEE
NOTE 8)
ITEM NO. 503842

NOTES:

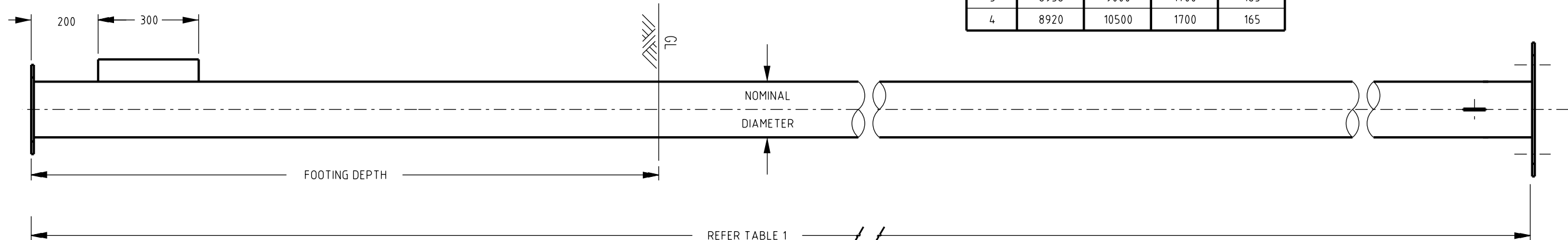
1. ALL WELDS AND BLACK METAL SURFACES TO BE CLEANED AND COATED WITH COLD GALVANIZING COMPOUND.
2. COLUMN TO BE HOT DIPPED GALVANIZED ACCORDING TO AS 1650 - NO PAINTING REQUIRED.
3. ALL ROUGH OR BURRED EDGES ARE TO BE DRESSED CLEAN.
4. ALL WELDING AND WELD PREPARATION TO BE IN ACCORDANCE WITH AS 1554.
5. CIRCULAR HOLLOW SECTION TO BE TO AS 1163 GR250.
6. POLES SHALL BE SINGLE PIECE WITH NO WELDED EXTRUSIONS.
7. ITEMS 1 AND 2 HAVE BEEN SUPERSEDED TO ITEMS 3 AND 4.
8. REFER TO S01-4-4-01 PN PROCEDURE 'POLE INSTALLATION PROCEDURE (CIVIL WORKS)' FOR THE REQUIREMENT AND INSTALLATION OF POLE CONCRETE FOUNDATIONS.



SIDE ELEVATION
N.T.S.

TABLE 1

ITEM	ITEM NUMBER	LENGTH	FOOTING DEPTH	OUTER DIAMETER
1	9654	7600	1600	114
2	9647	9100	1800	114
3	8938	9000	1700	165
4	8920	10500	1700	165



FRONT ELEVATION
N.T.S.

DRG NO	DESCRIPTION	NO	DESCRIPTION	DRN	DATE	CKD	APPD
x	x	4	DRAWING TITLE AMENDED	C.C.	MAY '18	B.C.	I.B.
		3	ADD CONCRETE PAVER	I.B.	AUG '16	I.B.	A.T.
		2	SPLIT SLEEVE DETAIL REMOVED, NOTES 6, 7 AND 8 AMENDED	A.T.	MAY '16	I.B.	B.C.
		1	LENGTH, FOOTING & NOMINAL DIAMETER AMENDED	A.S.	NOV '06	B.C.	S.C.
		0	ISSUED FOR CONSTRUCTION	A.S.	JAN '06	C.C.	C.C.
ASSOCIATED DRAWINGS			AMENDMENTS				



DES	C. CAMILLERI	POWER STANDARD DRAWING		
DRN	A. SCHMID	POLES 9.0 AND 10.5m SERVICE/CLEARANCE		
CKD	C. CAMILLERI			
APPD	C. CAMILLERI			
SCALE	N.S.T.			
ISSUED	JAN'2006	A3	DRAWING NUMBER	S01-1-1-39
ALL DIM. IN mm				
DRAFTING STANDARD TO A.S.1100		CAD PRODUCT - DO NOT AMEND MANUALLY		AMDT