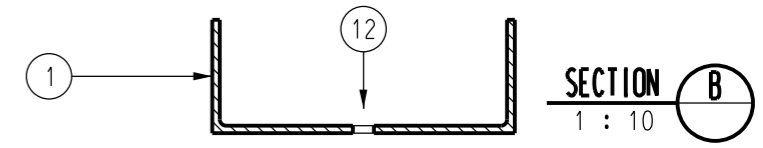
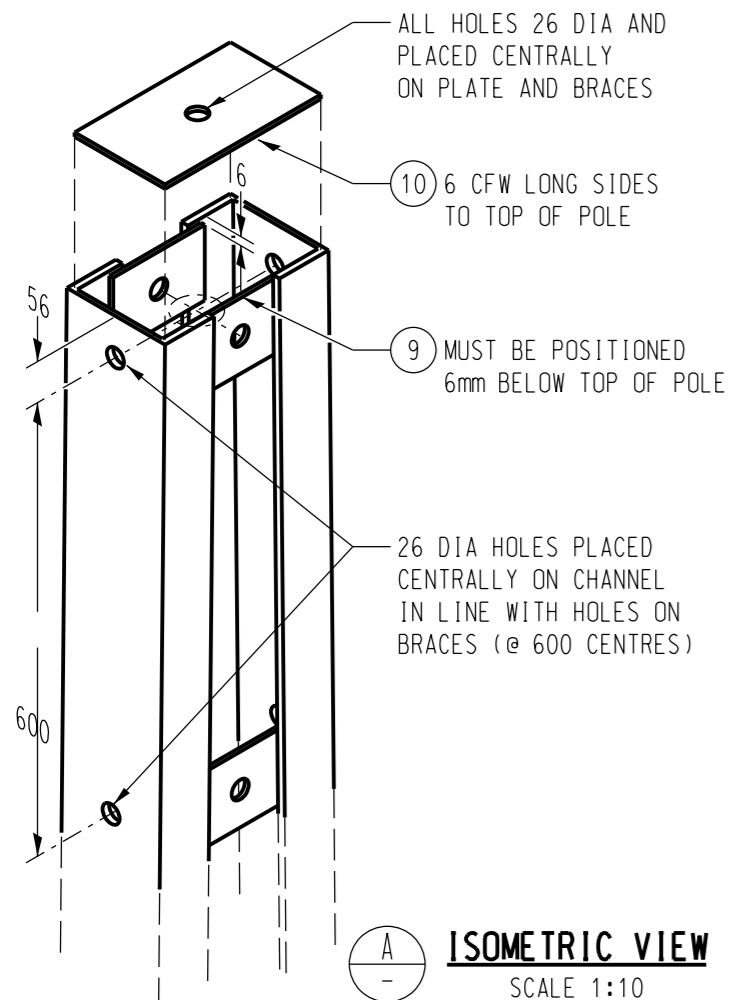


LINE POLE 13.5D EQUIVALENT TOTAL MASS 1270KG - Stock Code: 298497

SCALE 1:40

NOTES:

1. TOP PLATE AND BASE PLATE DO NOT FORM PART OF THE OVERALL DIMENSION.
2. BRACES AND GROUND PLATE TO BE WELDED ON INSIDE OF POLE AND TO HAVE 18mm MIN OVERLAP. ANTI-CLIMBING PLATE TO BE WELDED ON OUTSIDE OF POLE.
3. ALL WELDS TO BE 6mm FILLET CONTINUOUS WELD EXCEPT ANTI-CLIMBING PLATE WHICH IS TO HAVE 6mm FILLET 150mm LONG AT BOTH ENDS AND CENTRE.
4. ALL ROUGH OR BURRED EDGES ARE TO BE DRESSED CLEAN.
5. STEEL TO BE GRADE 300 PLUS, REFER TO BHP 1999 HOT ROLLED STRUCTURAL STEEL PRODUCTS.
6. PFC DIMENSIONS ARE TO AS 3679.
7. WELDING TO COMPLY WITH AS 1554.
8. TOLERANCES TO DIMENSIONS OVER 5m IS +/- 5mm.
9. EACH POLE IS TO BE ENGRAVED WITH THE SIZE, TIER WEIGHT, FABRICATORS NAME AND MONTH AND YEAR OF FABRICATION.
10. ENGRAVING SHALL BE IN LETTERS NO LESS THAN 10mm HIGH AND 0.05mm DEEP AND POSITIONED ON THE FIRST GUSSET PLATE ABOVE GROUND LEVEL.



ITEM	QTY	DESCRIPTION	STOCK CODE
14	AR	M12 FLAT WASHER	400832
13	AR	M12x40 BOLT AND NUT ASSEMBLY	503669
12	3	14ø PREDRILLED HOLE
11	1	268 x 238 x 10 FMS, TOP PLATE
10	2	220 x 100 x 10 FMS, BRACE, 26 DIA HOLE
9	6	220 x 200 x 10 FMS, BRACES, 26 DIA HOLE
8	8	260 x 200 x 10 FMS, BRACES, 26 DIA HOLE
7	8	330 x 200 x 10 FMS, MID BRACES
6	2	450 x 1400 x 6 FMS, ANTI-CLIMBING PLATE
5	6	450 x 200 x 10 FMS, BRACE UNDER A/CL PLATE
4	2	450 x 500 x 10 FMS, GROUND PLATE
3	8	450 x 200 x 10 FMS, FOOTING BRACES
2	1	605 x 100 x 10 FMS, BASE PLATE
1	2	250 x 90 PFC, 14550 LONG
MATERIAL SCHEDULE			

NO	DESCRIPTION	DRN	DATE	CKD	APPD
3	POLE MASS, ITEM 13 & 14 ADDED. NOTE 9 & ITEM 12 AMENDED, 13ø HOLE FOR PADLOCK REMOVED	A.T.	MAR'16	I.B.	B.C.
2	13ø HOLES FOR PADLOCK ADDED	K.I.	OCT'05	C.C.	C.C.
1	M12 X 40 LONG GALVANISED BOLTS ITEM 12 ADDED	A.S.	MAY'03	R.C.	M.B.
0	ISSUED FOR CONSTRUCTION	A.S.	MAR'01	M.B.	F.R.R.
AMENDMENTS					

PowerWater
NORTHERN TERRITORY

DES	M. BOCK	POWER STANDARD DRAWING		
DRN	R. INNES	POLES LINE 13.5D EQUIVALENT BOLTED CONNECTIONS TYPE		
CKD	R. CLEOPAS			
APPD	M. BOCK			
SCALE	1:40	A3	DRAWING NUMBER	S01-1-1-13
ISSUED	JULY'00			
ALL DIM. IN mm		CAD PRODUCT - DO NOT AMEND MANUALLY		
DRAFTING STANDARD TO A.S.1100		AMDT		