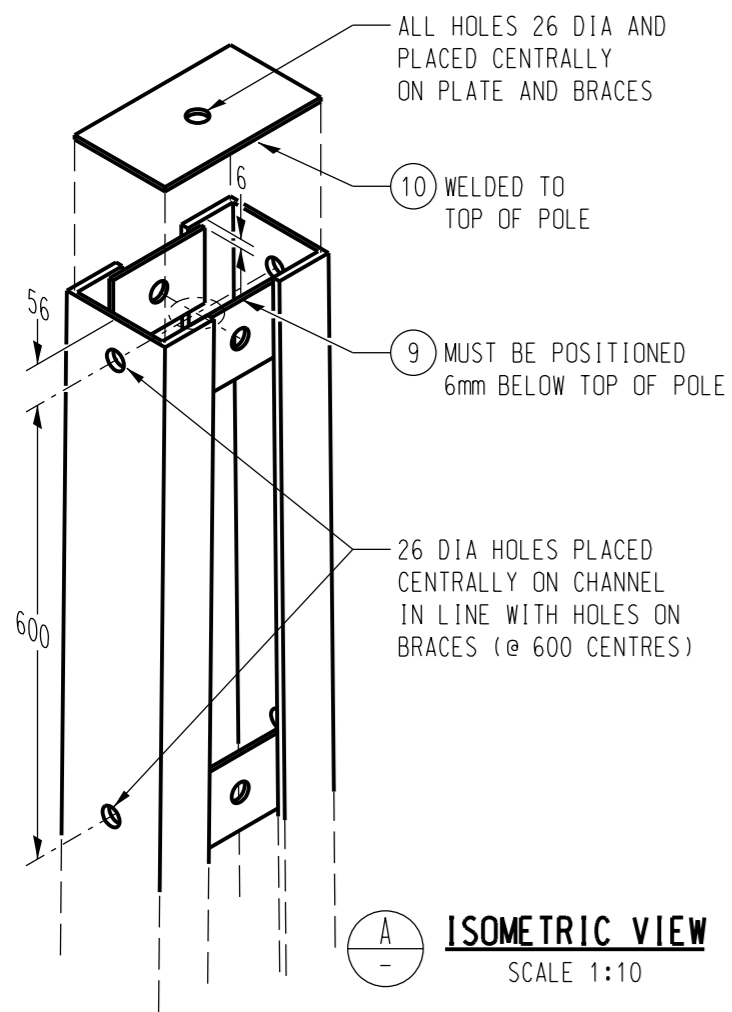
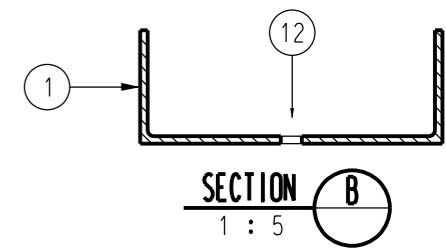


LINE POLE 10.5D EQUIVALENT TOTAL WEIGHT 1050KG - Stock Code: 298471

SCALE 1:40



NOTES:

1. TOP PLATE AND BASE PLATE DO NOT FORM PART OF THE OVERALL DIMENSION.
2. BRACES AND GROUND PLATE TO BE WELDED ON INSIDE OF POLE AND TO HAVE 19mm MIN OVERLAP. ANTI-CLIMBING PLATE TO BE WELDED ON OUTSIDE OF POLE.
3. ALL WELDS TO BE 6mm FILLET CONTINUOUS WELD EXCEPT ANTI-CLIMBING PLATE WHICH IS TO HAVE 6mm FILLET 150mm LONG AT BOTH ENDS AND CENTRE.
4. ALL ROUGH OR BURRED EDGES ARE TO BE DRESSED CLEAN.
5. STEEL TO BE GRADE 300 PLUS, REFER TO BHP 1999 HOT ROLLED STRUCTURAL STEEL PRODUCTS.
6. PFC DIMENSIONS ARE TO AS 3679.
7. WELDING TO COMPLY WITH AS 1554.
8. TOLERANCES TO DIMENSIONS OVER 5m IS +/- 5mm.
9. EACH POLE IS TO BE ENGRAVED WITH THE SIZE, TIER WEIGHT, FABRICATORS NAME AND MONTH AND YEAR OF FABRICATION.
10. ENGRAVING SHALL BE IN LETTERS NO LESS THAN 10mm HIGH AND 0.05mm DEEP AND POSITIONED ON THE FIRST GUSSET PLATE ABOVE GROUND LEVEL.

ITEM	QTY	DESCRIPTION	STOCK CODE
14	AR	M12 FLAT WASHER	400832
13	AR	M12x40 BOLT AND NUT ASSEMBLY	503669
12	3	14ø PREDRILLED HOLE
11	1	268 x 238 x 10 FMS, TOP PLATE 26DIA HOLE
10	2	220 x 100 x 10 FMS, BRACE 26 DIA HOLE
9	6	220 x 200 x 10 FMS, BRACE 26 DIA HOLE
8	8	260 x 200 x 10 FMS, BRACE 26 DIA HOLE
7	4	330 x 200 x 10 FMS, MID BRACES
6	2	350 x 1400 x 6 FMS, ANTI-CLIMBING PLATE
5	2	450 x 200 x 10 FMS, BRACE UNDER A/CL PLATE
4	2	450 x 500 x 10 FMS, GROUND PLATE
3	8	450 x 200 x 10 FMS, FOOTING BRACES
2	1	605 x 100 x 10 FMS, BASE PLATE
1	2	250 x 90 PFC, 11850 LONG

MATERIAL SCHEDULE

NO	DESCRIPTION	DRN	DATE	CKD	APPD
3	POLE MASS, ITEM 13 & 14 ADDED. NOTE 9 & ITEM 12 AMENDED, 13ø HOLE FOR PADLOCK REMOVED	A.T.	MAR'16	I.B.	A.T.
2	13ø HOLES FOR PADLOCK ADDED	K.I.	OCT'05	C.C.	C.C.
1	M12 X 40 LONG GALVANISED BOLTS ITEM 12 ADDED, ITEM 6 RAISED	A.S.	OCT'03	R.C.	M.B.
0	ISSUED FOR CONSTRUCTION	A.S.	MAR'01	M.B.	F.R.R.

AMENDMENTS



DES	M. BOCK	POWER STANDARD DRAWING	
DRN	R. INNES	POLES LINE 10.5D EQUIVALENT BOLTED CONNECTIONS	
CKD	R. CLEOPAS		
APPD	M. BOCK		
SCALE	1:40	A3	DRAWING NUMBER S01-1-1-11
ISSUED	JULY '00		
ALL DIM.	IN mm		
DRAFTING STANDARD	TO A.S.1100		