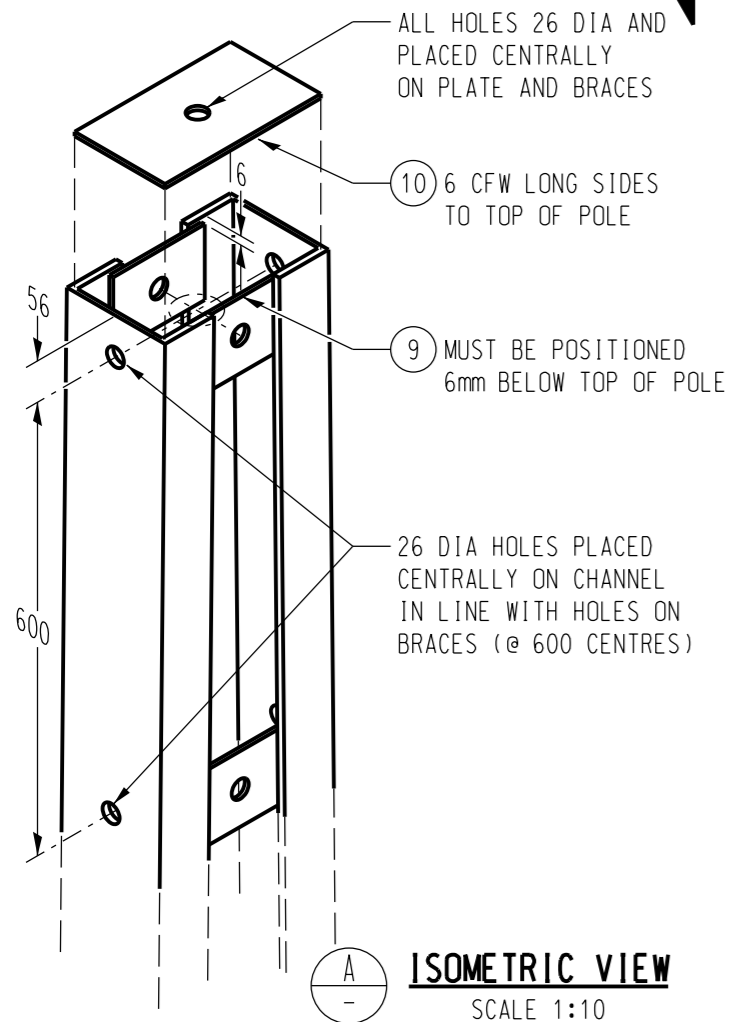
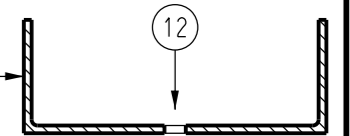


LINE POLE 13.5B TOTAL MASS 670KG - Stock Code: 298463
LINE POLE 13.5C TOTAL MASS 820KG - Stock Code: 299123

SCALE 1:40

SECTION B
1:10



NOTES:

1. TOP PLATE AND BASE PLATE DO NOT FORM PART OF THE OVERALL DIMENSION.
2. BRACES AND GROUND PLATE TO BE WELDED ON INSIDE OF POLE AND TO HAVE 21mm MIN OVERLAP. ANTI-CLIMBING PLATE TO BE WELDED ON OUTSIDE OF POLE.
3. ALL WELDS TO BE 6mm FILLET CONTINUOUS WELD EXCEPT ANTI-CLIMBING PLATE WHICH IS TO HAVE 6mm FILLET 150mm LONG AT BOTH ENDS AND CENTRE.
4. ALL ROUGH OR BURRED EDGES ARE TO BE DRESSED CLEAN.
5. STEEL TO BE GRADE 300 PLUS, REFER TO BHP 1999 HOT ROLLED STRUCTURAL STEEL PRODUCTS.
6. PFC DIMENSIONS ARE TO AS 3679.
7. WELDING TO COMPLY WITH AS 1554.
8. TOLERANCES TO DIMENSIONS OVER 5m IS +/- 5mm.
9. EACH POLE IS TO BE ENGRAVED WITH THE SIZE, TIER WEIGHT, FABRICATORS NAME AND MONTH AND YEAR OF FABRICATION.
10. ENGRAVING SHALL BE IN LETTERS NO LESS THAN 10mm HIGH AND 0.05mm DEEP AND POSITIONED ON THE FIRST GUSSET PLATE ABOVE GROUND LEVEL.

ITEM	QTY 13.5B	QTY 13.5C	DESCRIPTION	STOCK CODE
14	AR	AR	M12 FLAT WASHER	400832
13	AR	AR	M12x40 BOLT AND NUT ASSEMBLY	503669
12	3	3	14ø PREDRILLED HOLE
11	-	1	238 x 188 x 6 FMS, TOP PLATE
	1	-	238 x 138 x 6 FMS, TOP PLATE
10	2	2	140 x 100 x 10 FMS, TOP BRACE
9	6	6	220 x 150 x 10 FMS, BRACES, 26 DIA HOLE
8	8	8	260 x 150 x 10 FMS, BRACES, 26 DIA HOLE
7	8	8	310 x 150 x 6 FMS, MID BRACES
6	2	2	300 x 1500 x 6 FMS, ANTI-CLIMBING PLATE
5	6	6	380 x 150 x 6 FMS, BRACES UNDER A/CL PLATE
4	2	2	400 x 300 x 6 FMS, GROUND PLATE
3	4	4	430 x 150 x 6 FMS, FOOTING BRACES
2	1	1	550 x 100 x 6 FMS, BASE PLATE
1	-	2	200 x 75 PFC, 13.5m LONG
	2	-	150 x 75 PFC, 13.5m LONG

MATERIAL SCHEDULE

NO	DESCRIPTION	DRN	DATE	CKD	APPD
4	POLE MASS, ITEM 13 & 14 ADDED, NOTE 9 & ITEM 12 AMENDED, 13ø HOLE FOR PADLOCK REMOVED	A.T.	MAR'16	I.B.	A.T.
3	13ø HOLES FOR PADLOCK ADDED	K.I.	OCT'05	C.C.	C.C.
2	M12 X 40 GALVANISED BOLTS ITEM 12 ADDED	A.S.	MAY'03	M.B.	M.B.
1	TITLE CHANGED TO 13.5B & 13.5C, STOCK CODE FOR 13.5C ADDED	A.S.	SEP'01	M.B.	F.R.R.
0	ISSUED FOR CONSTRUCTION	A.S.	APR'01	M.B.	F.R.R.

AMENDMENTS



DES	M. BOCK	POWER STANDARD DRAWING	
DRN	R. INNES	POLES LINE 13.5B & 13.5C BOLTED CONNECTIONS TYPE	
CKD	-		
APPD	F. ROBSON		
SCALE	1:40	A3	DRAWING NUMBER S01-1-1-10
ISSUED	APR '00		
ALL DIM.	IN mm	DRAFTING STANDARD TO A.S.1100 CAD PRODUCT - DO NOT AMEND MANUALLY	
AMDT	4		