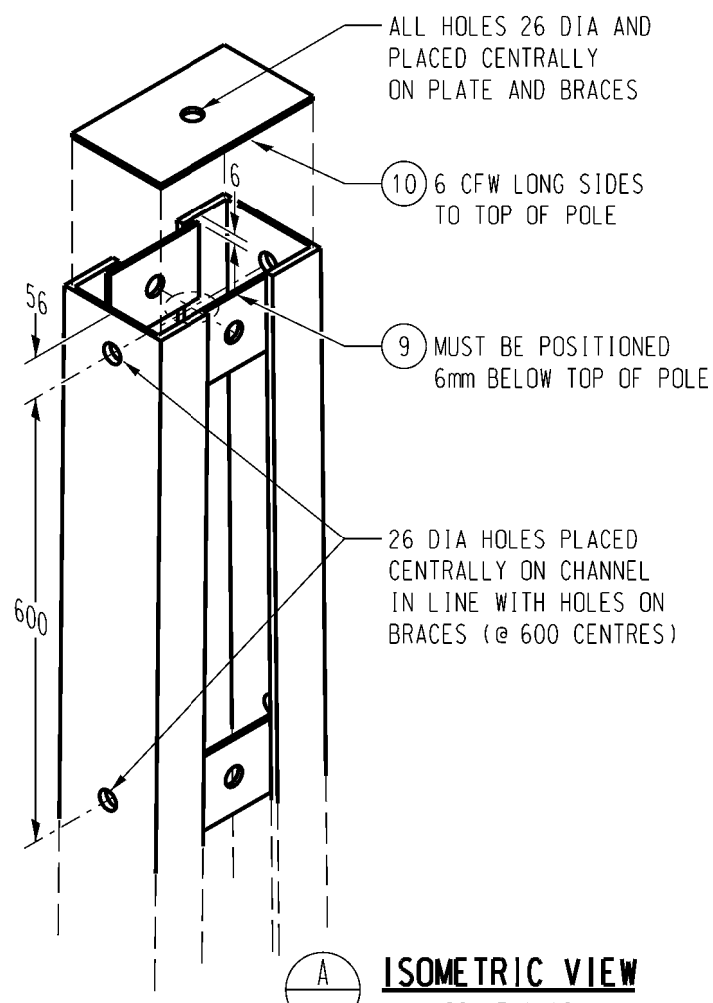


LINE POLE 12.0B TOTAL MASS 600KG - Stock Code: 298455
LINE POLE 12.0C TOTAL MASS 750KG - Stock Code: 299115

SCALE 1:40

NOTES:

1. TOP PLATE AND BASE PLATE DO NOT FORM PART OF THE OVERALL DIMENSION.
2. BRACES AND GROUND PLATE TO BE WELDED ON INSIDE OF POLE AND TO HAVE 22mm MIN OVERLAP. ANTI-CLIMBING PLATE TO BE WELDED ON OUTSIDE OF POLE.
3. ALL WELDS TO BE 6mm FILLET CONTINUOUS WELD EXCEPT ANTI-CLIMBING PLATE WHICH IS TO HAVE 6mm FILLET 150mm LONG AT BOTH ENDS AND CENTRE.
4. ALL ROUGH OR BURRED EDGES ARE TO BE DRESSED CLEAN.
5. STEEL TO BE GRADE 300 PLUS, REFER TO BHP 1999 HOT ROLLED STRUCTURAL STEEL PRODUCTS.
6. PFC DIMENSIONS ARE TO AS 3679.
7. WELDING TO COMPLY WITH AS 1554.
8. TOLERANCES TO DIMENSIONS OVER 5m IS +/- 5mm.
9. EACH POLE IS TO BE ENGRAVED WITH THE SIZE, TIER WEIGHT, FABRICATORS NAME AND MONTH AND YEAR OF FABRICATION.
10. ENGRAVING SHALL BE IN LETTERS NO LESS THAN 10mm HIGH AND 0.05mm DEEP AND POSITIONED ON THE FIRST GUSSET PLATE ABOVE GROUND LEVEL.



ITEM	QTY 12B	QTY 12C	DESCRIPTION	STOCK CODE
14	AR	AR	M12 FLAT WASHER	400832
13	AR	AR	M12x40 BOLT AND NUT ASSEMBLY	503669
12	3	3	14ø PREDRILLED HOLE
11	-	1	238 x 188 x 6 FMS, TOP PLATE 26 DIA HOLE
	1	-	238 x 138 x 6 FMS, TOP PLATE 26 DIA HOLE
10	2	2	140 x 100 x 10 FMS, TOP BRACE 26 DIA HOLE
9	6	6	220 x 150 x 10 FMS, BRACE 26 DIA HOLE
8	8	8	260 x 150 x 10 FMS, BRACE 26 DIA HOLE
7	4	4	310 x 150 x 6 FMS, MID BRACES
6	2	2	300 x 1500 x 6 FMS, ANTI-CLIMBING PLATE
5	6	6	380 x 150 x 6 FMS, BRACES UNDER A/CL PLATE
4	2	2	400 x 300 x 6 FMS, GROUND PLATE
3	4	4	430 x 150 x 6 FMS, FOOTING BRACES
2	1	1	550 x 100 x 6 FMS, BASE PLATE
1	-	2	200 x 75 PFC, 12m LONG
	2	-	150 x 75 PFC, 12m LONG
ITEM	QTY 12B	QTY 12C	DESCRIPTION	STOCK CODE

MATERIAL SCHEDULE

NO	DESCRIPTION	DRN	DATE	CKD	APPD
6	ITEM 6 THICKNESS AMENDED	P.H.	OCT'17	I.B.	B.C.
5	POLE MASS, ITEM 13 & 14 ADDED. NOTE 9 AMENDED, ITEM 6 AND 12 AMENDED, 13ø HOLE FOR PADLOCK REMOVED	A.T.	MAR'16	I.B.	A.T.
4	ANTICLIMB PLATE EXTENDED	J.C.	JUN'09	A.T.	S.C.
3	13ø HOLES FOR PADLOCK ADDED	K.J.	OCT'05	C.C.	C.C.
2	M12 X 40 LONG GALVANISED BOLTS ITEM 12 ADDED	A.S.	MAY'05	M.B.	M.B.
1	TITLE CHANGED TO 12B & 12C, STOCK CODE FOR 12C ADDED	A.S.	APR'01	M.B.	F.R.R.
0	ISSUED FOR CONSTRUCTION	A.S.	APR'01	M.B.	F.R.R.



DES	M. BOCK	POWER STANDARD DRAWING	
DRN	R. INNES	POLES LINE 12B & 12C BOLTED CONNECTIONS TYPE	
CKD	M. BOCK		
APPD	F. ROBSON		
SCALE	1:40		
ISSUED	APR '00	A3	DRAWING NUMBER S01-1-1-09
ALL DIM. IN mm			
DRAFTING STANDARD TO A.S.1100		CAD PRODUCT - DO NOT AMEND MANUALLY	

