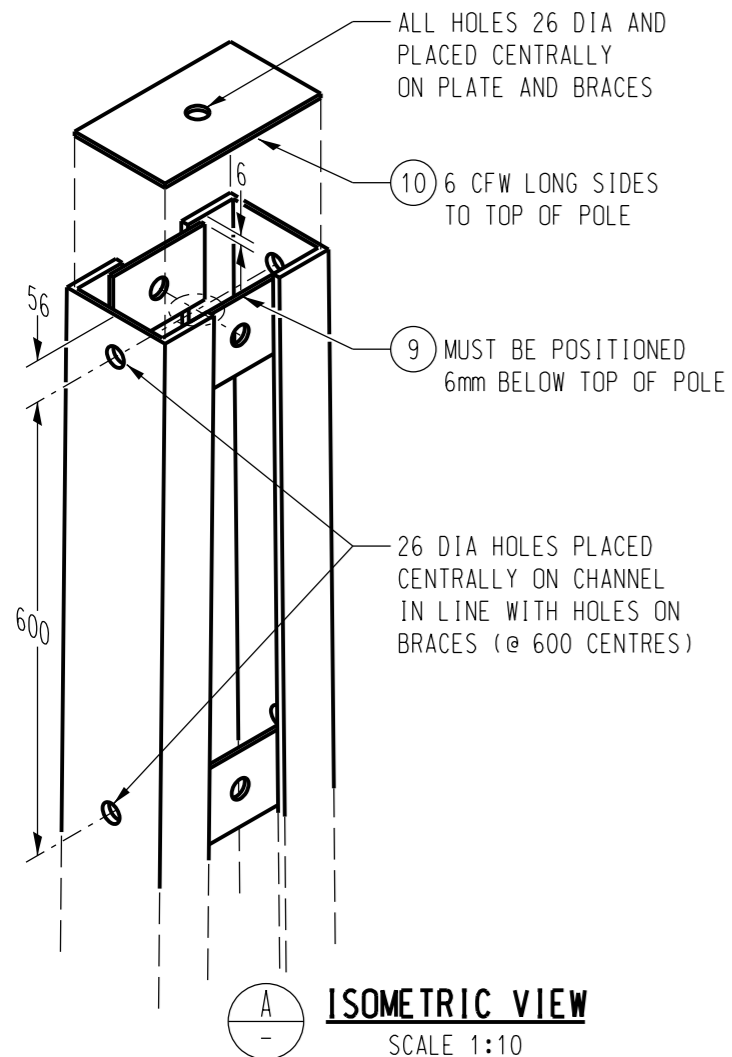


LINE POLE 10.5B TOTAL MASS 540KG - Stock Code: 298448
LINE POLE 10.5C TOTAL MASS 660KG - Stock Code: 299107

SCALE 1:40

SECTION B
1:10



ISOMETRIC VIEW
SCALE 1:10

NOTES:

1. TOP PLATE AND BASE PLATE DO NOT FORM PART OF THE OVERALL DIMENSION.
2. BRACES AND GROUND PLATE TO BE WELDED ON INSIDE OF POLE AND TO HAVE 18mm MIN OVERLAP. ANTI-CLIMBING PLATE TO BE WELDED ON OUTSIDE OF POLE.
3. ALL WELDS TO BE 6mm FILLET CONTINUOUS WELD EXCEPT ANTI-CLIMBING PLATE WHICH IS TO HAVE 6mm FILLET 150mm LONG AT BOTH ENDS AND CENTRE.
4. ALL ROUGH OR BURRED EDGES ARE TO BE DRESSED CLEAN.
5. STEEL TO BE GRADE 300 PLUS, REFER TO BHP 1999 HOT ROLLED STRUCTURAL STEEL PRODUCTS.
6. PFC DIMENSIONS ARE TO AS 3679.
7. WELDING TO COMPLY WITH AS 1554.
8. TOLERANCES TO DIMENSIONS OVER 5m IS +/- 5mm.
9. EACH POLE IS TO BE ENGRAVED WITH THE SIZE, TIER WEIGHT, FABRICATORS NAME AND MONTH AND YEAR OF FABRICATION.
10. ENGRAVING SHALL BE IN LETTERS NO LESS THAN 10mm HIGH AND 0.05mm DEEP AND POSITIONED ON THE FIRST GUSSET PLATE ABOVE GROUND LEVEL.

ITEM	QTY 10.5B	QTY 10.5C	DESCRIPTION	STOCK CODE
13	AR	AR	M12 FLAT WASHER	400832
12	AR	AR	M12x40 BOLT AND NUT ASSEMBLY	503669
11	3	3	14 ϕ PREDRILLED HOLE
10	-	1	238 x 188 x 6 FMS, TOP PLATE 26 DIA HOLE
	1	-	238 x 138 x 6 FMS, TOP PLATE 26 DIA HOLE
9	2	2	140 x 100 x 10 FMS, TOP BRACE 26 DIA HOLE
8	6	6	220 x 150 x 10 FMS, BRACE 26 DIA HOLE
7	8	8	260 x 150 x 10 FMS, BRACE 26 DIA HOLE
6	2	2	300 x 1500 x 6 FMS, ANTI-CLIMBING PLATE
5	6	6	380 x 150 x 6 FMS, BRACES UNDER A/CL PLATE
4	2	2	400 x 300 x 6 FMS, GROUND PLATE
3	2	2	430 x 150 x 6 FMS, FOOTING BRACES
2	1	1	550 x 100 x 6 FMS, BASE PLATE
1	-	2	200 x 75 PFC, 10.5m LONG
	2	-	150 x 75 PFC, 10.5m LONG

MATERIAL SCHEDULE

NO	DESCRIPTION	DRN	DATE	CKD	APPD
4	POLE MASS, ITEM 12 & 13 ADDED. NOTE 9 AMENDED, ITEM 10 AMENDED, 13 ϕ HOLES FOR PADLOCKS REMOVED	A.T.	MAR'16	I.B.	A.T.
3	13 ϕ HOLES FOR PADLOCK ADDED	K.I.	OCT'05	C.C.	C.C.
2	M12 X 40 LONG GALVANISED BOLTS ITEM 11 ADDED	A.S.	MAY'03	M.B.	M.B.
1	TITLE CHANGED TO 10.5B & 10.5C STOCK CODE FOR 10.5C ADDED	A.S.	SEP'01	M.B.	F.R.R.
0	ISSUED FOR CONSTRUCTION	A.S.	MAR'01	M.B.	F.R.R.

AMENDMENTS



DES	M. BOCK	POWER STANDARD DRAWING	
DRN	R. INNES	POLES LINE 10.5B & 10.5C BOLTED CONNECTIONS TYPE	
CKD	M. BOCK		
APPD	F. ROBSON	A3	DRAWING NUMBER S01-1-1-08
SCALE	1:40		
ISSUED	JULY '00		
ALL DIM.	IN mm		
DRAFTING STANDARD TO A.S.1100		CAD PRODUCT - DO NOT AMEND MANUALLY	