

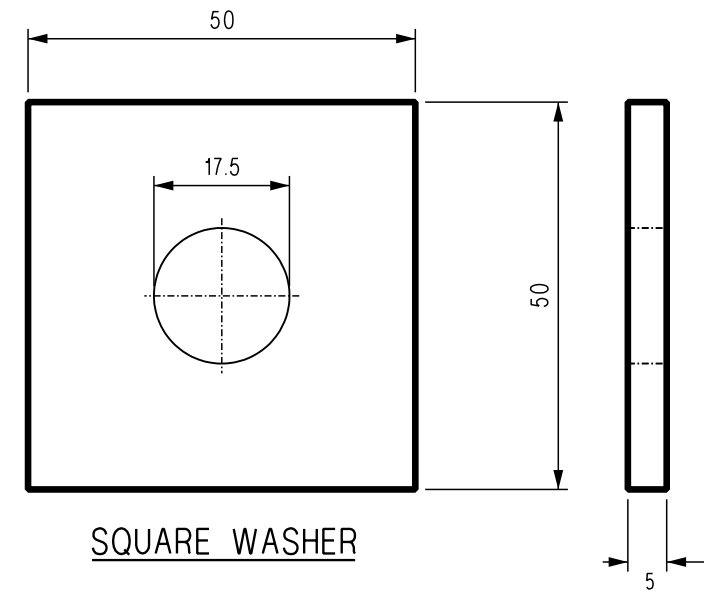
ISO METRIC HEXAGON BOLTS & NUTS

BOLT DIMENSIONS

STOCK CODE	OD	L	FINISH
407986	M8	25	ZINC PLATED
407985		50	ZINC PLATED
218081	M10	30	HOT DIP GALV.
407992		30	ZINC PLATED
114017		40	STAINLESS
407987		50	ZINC PLATED
114199		130	HOT DIP GALV.
114207		150	HOT DIP GALV.
247478	M12	25	ZINC PLATED
114462		40	ZINC PLATED
503669	M12	40	HOT DIP GALV.
211144	M16	65	HOT DIP GALV.
400799		120	HOT DIP GALV.
114546		140	ZINC PLATED
400805		160	HOT DIP GALV.
114561		180	HOT DIP GALV.
114579		240	ZINC PLATED
114629	M24	50	HOT DIP GALV.
400800		65	HOT DIP GALV.
400801		100	HOT DIP GALV.
415094		150	HOT DIP GALV.
400802		180	HOT DIP GALV.
415095		200	HOT DIP GALV.
400803		220	HOT DIP GALV.
415096		400	HOT DIP GALV.
415097		500	HOT DIP GALV.
415098		550	HOT DIP GALV.
415099	650	HOT DIP GALV.	

HOT DIP GALV. WASHERS - EXTRA LARGE, ROUND

ITEM	STOCK CODE	NOMINAL SIZE OF WASHER	WASHER DIMENSIONS				
			INSIDE Ø		OUTSIDE Ø		THICKNESS
			D1	D2	S		
	113977	10	11.5	11.0	30	28.7	2.5
	400832	12	13.5	13	28	27.5	2.5
	113985	16	18.5	18.0	50	48.4	4
	113993	24	26.6	26.0	72	70.1	6

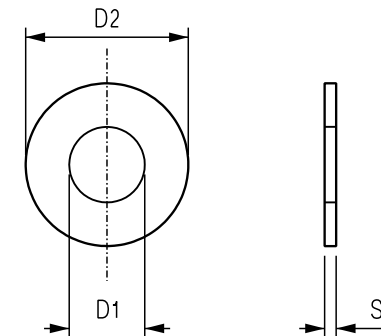


SQUARE WASHER

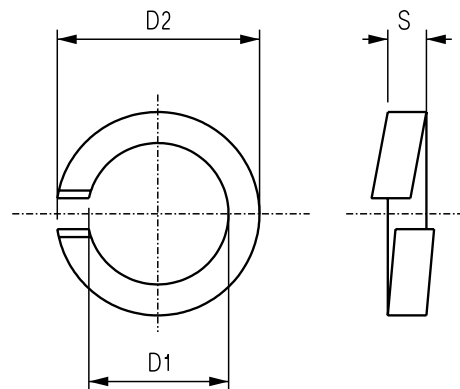
M16, HOT DIP GAL. WASHER - S/C 114348
M24, HOT DIP GAL. WASHER - S/C 298828

HOT DIP GALV. WASHERS - HELICAL SPRING

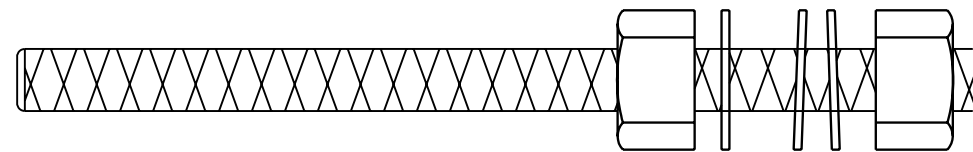
ITEM	STOCK CODE	NOMINAL SIZE	D1		D2	S	
			MAX	MIN	MAX	MAX	MIN
	114314	10	10.7	10.2	18.1	2.35	2.05
	239616	12	13	12.7	28	2.0	2.6
	114322	16	17.0	16.2	27.4	3.7	3.3
	114330	24	25.5	24.5	40	5.2	4.8



ROUND WASHER



HELICAL SPRING WASHER



THREAD ROD

M24, 1000mm LONG
MILD STEEL S/C 300152
GRADE 8 HIGH TENSILE S/C 401393

NO	DESCRIPTION	DRN	DATE	CKD	APPD
3	ADD M12x40 HDG BOLT	K.T.	APR'16	I.B.	B.C.
2	M24 BOLT RANGE EXTENDED	A.T.	DEC'11	B.C.	S.C.
1	ZINC PLATED BOLTS ADDED	A.T.	JAN'11	B.C.	S.C.
0	ISSUED FOR CONSTRUCTION	K.I.	MAR'05	R.C.	C.C.
AMENDMENTS					



DES	R.S.C.	POWER STANDARD DRAWING		
DRN	K.I.	LINE HARDWARE BOLTS, NUTS & WASHERS THREADED ROD		
CKD	R.S.C.			
APPD	C.C.			
SCALE	1:1	A3	DRAWING NUMBER	S01-1-4-43
ISSUED	FEB '05			
ALL DIM.	IN mm			AMDT
DRAFTING STANDARD TO A.S.1100		CAD PRODUCT — DO NOT AMEND MANUALLY		