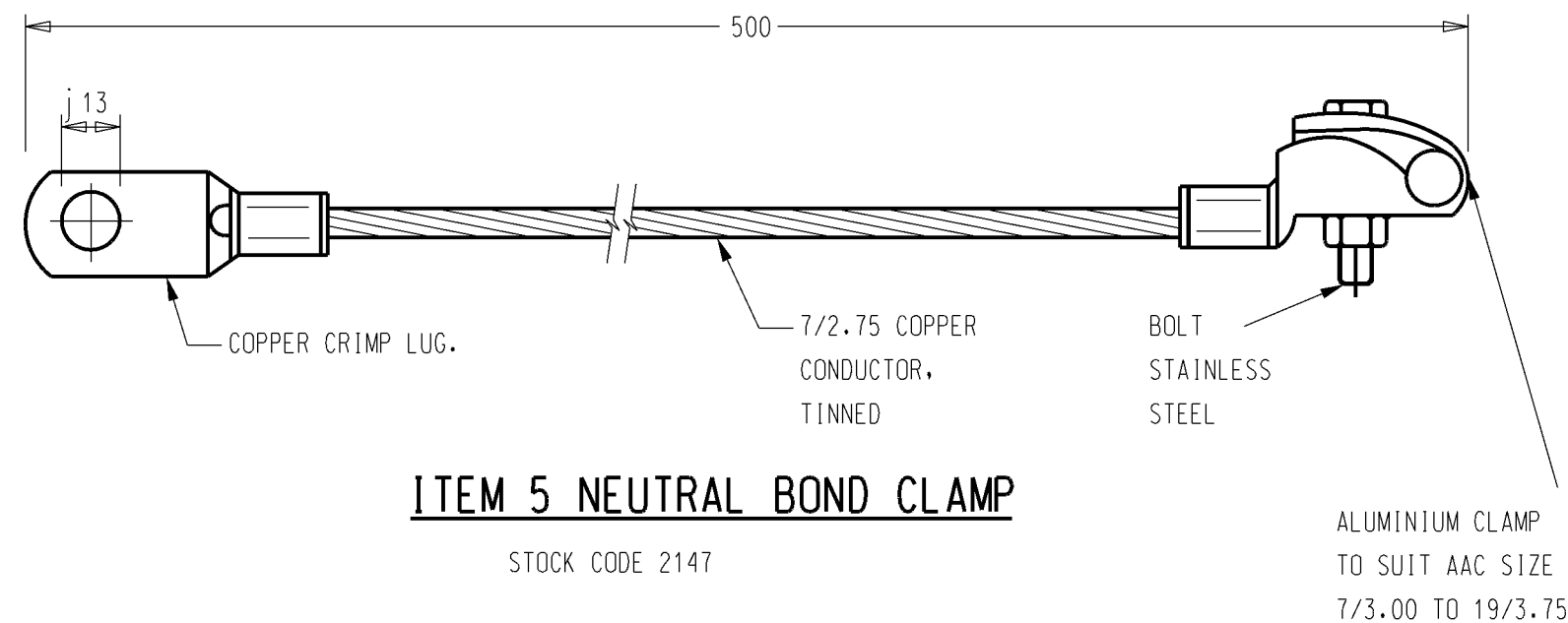
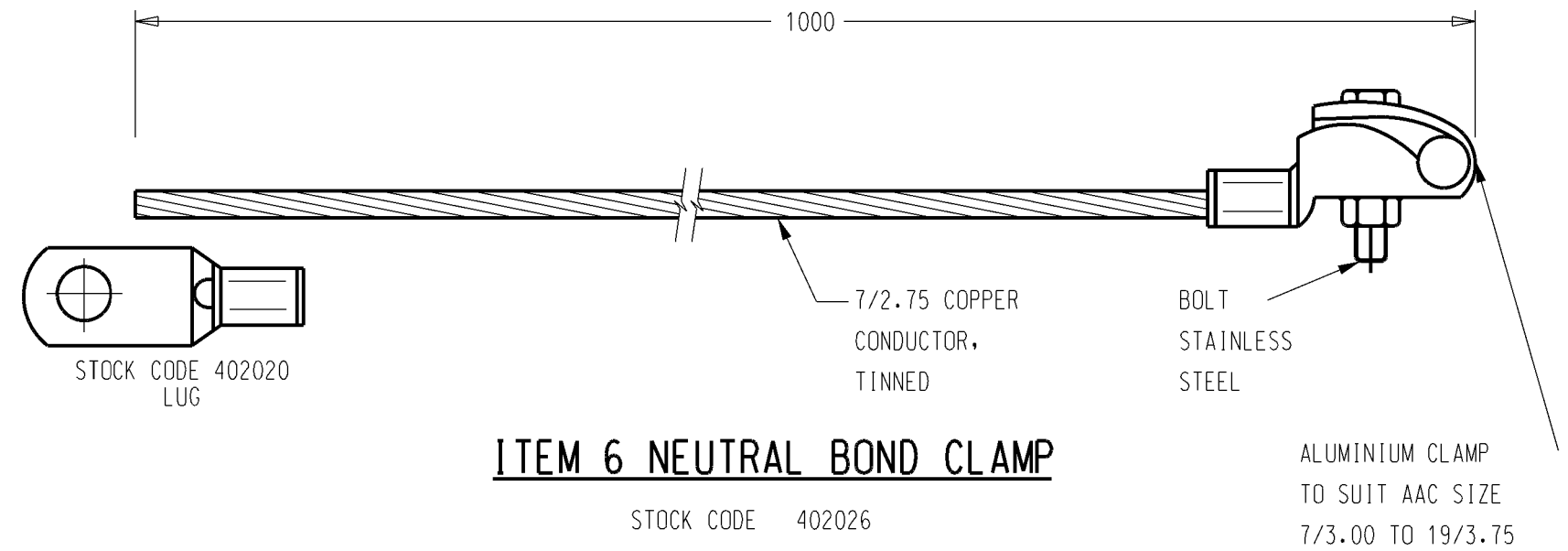
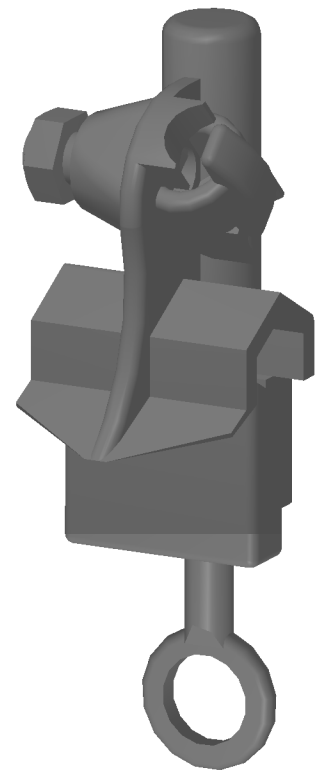


NOTES

1. BODY - CAST ALUMINIUM, COATED WITH HIGH DENSITY FORTIFIED PLATING TO INHIBIT GALVANIC ACTION AT BI-METAL CONTACTS. EYE SCREW THREAD TO BE COMPLETELY ENCLOSED AND PACKED WITH CORROSION INHIBITIVE COMPOUND. TO BE SUITABLE FOR CONNECTING ALUMINIUM TO ALUMINIUM; ALUMINIUM TO COPPER & COPPER TO COPPER.



3	2121	18.96	4.12	13.92	4.12	460A	S1530AGP-G
ITEM	STOCK CODE	MAX	MIN	MAX	MIN	CURRENT RATING	CHANCE CAT. No.
		MAIN		TAP			
		NOM. CONDUCTOR DIA. (mm)					

NO	DESCRIPTION	DRN	DATE	CKD	APPD
14	ITEM 3 UPDATED	K.T.	APR'16	B.C.	B.C.
13	ITEM 1, 4 DELETED, ITEM 2 REMOVED FROM TABLE	C.C.	JUN'14	A.T.	B.C.
12	ITEM 2, 3 AND TABLE AND ITEM 6 ADDED	A.S.	JUN'04	R.C.	M.B.
11	ITEM 2 REDRAWN, TABLE SHOWING ITEMS 2 AND 3 DELETED	R.I.	DEC'99	G.H.	F.R.
10	REDRAWN ON CAD	A.D.	MAY'98	-	-
AMENDMENTS					



DES	J.HASSANEN	POWER STANDARD DRAWING		
DRN	A.DAVIS	LINE HARDWARE		
CKD	R.INNES	CLAMPS		
APPD	F.ROBSON	PORTABLE EARTH, NEUTRAL BOND		
SCALE	N.T.S.	EARTH ROD TO BUSBAR/CONDUCTOR		
ISSUED	MAY'98	A3	DRAWING NUMBER	S01-1-4-17
ALL DIM.	IN mm			
DRAFTING STANDARD TO A.S.1100		CAD PRODUCT - DO NOT AMEND MANUALLY		AMDT