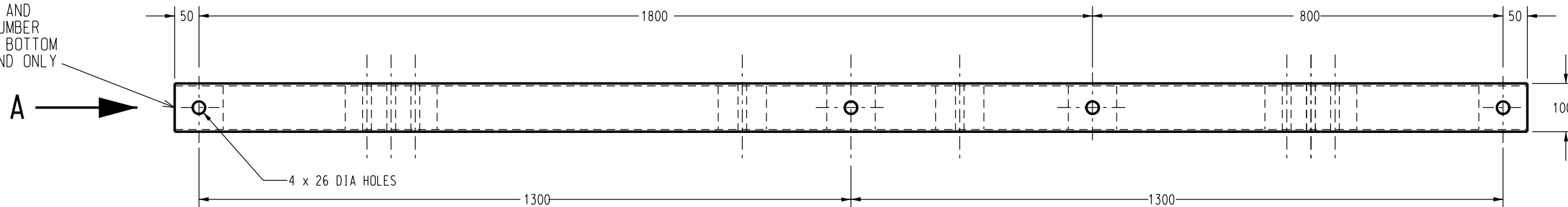


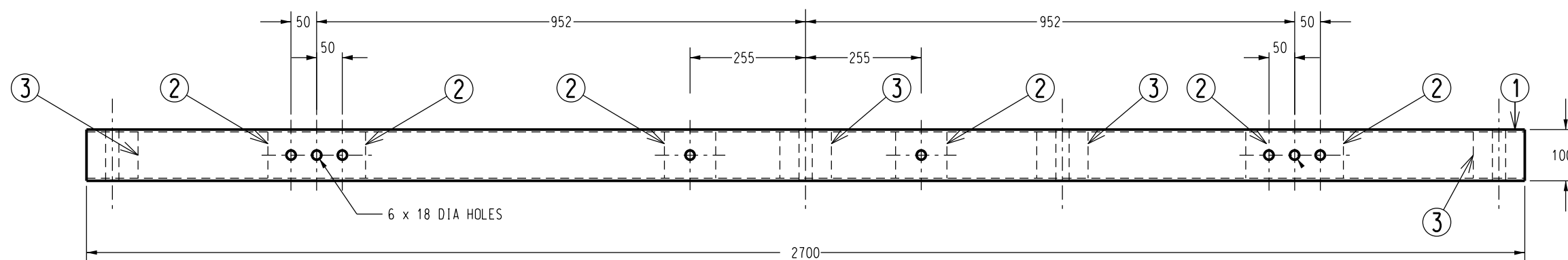
BRAND
PRODUCTION NUMBER
ON TOP AND
PACK NUMBER
ON THE BOTTOM
THIS END ONLY



TOP VIEW

PROD No.
PACK No.

VIEW A
SCALE 1 : 5



FRONT VIEW

ITEM 1 REPLACES:
TIMBER TERMINATION CROSSARM SHOWN ON STD DRG No. S01-1-2-04, ITEM 1
TIMBER INTERMEDIATE & ANGLE SUSPENSION CROSSARM SHOWN ON STD DRG No. S01-1-2-04, ITEM 2
TIMBER HIGH IMPULSE CROSSARM SHOWN ON STD DRG No. S01-1-2-08, ITEM 1
STEEL 100 x 100 x 6 SHS HIGH IMPULSE CROSSARM SHOWN ON STD DRG No. S01-1-2-9, ITEM 1
CROSSARM - STEEL REPLACEMENT FOR "TYPE X" ON STD DRG No. S01-1-2-14.

TAG No.	QTY.	DESCRIPTION	ITEM NUMBER
3	4	PLASTIC INSERT ASSEMBLY	-
2	6	PLASTIC INSERT ASSEMBLY	-
1	1	UNIVERSAL FIBREGLASS REINFORCED POLYMER CROSSARM 100x100x5	406748

NO	DESCRIPTION	DRN	DATE	CKD	APPD
3	INCLUDED 3 "Y-RACK" HOLES	P.H.	APR'18	I.B.	B.V
2	CROSSARM REPLACEMENT S01-1-2-14 ADDED	K.I.	SEP'06	R.S.	S.C
1	DIMENSIONS AMENDED	RAJ	JUL'06	RAJ	S.C
0	ISSUED FOR CONSTRUCTION	A.S.	5.3.06	C.C	C.C

PowerWater
NORTHERN TERRITORY

DES	C. CAMILLERI	POWER STANDARD DRAWING	
DRN	A. SCHMID	CROSSARM HIGH VOLTAGE FIBREGLASS REINFORCED POLYMER	
CKD	-		
APPD	C. CAMILLERI	A3	DRAWING NUMBER S01-1-2-21
SCALE	1:10		
ISSUED	APR'06	DRAFTING STANDARD TO A.S.1100	
ALL DIM.	IN mm		
CAD PRODUCT - DO NOT AMEND MANUALLY		AMDT	