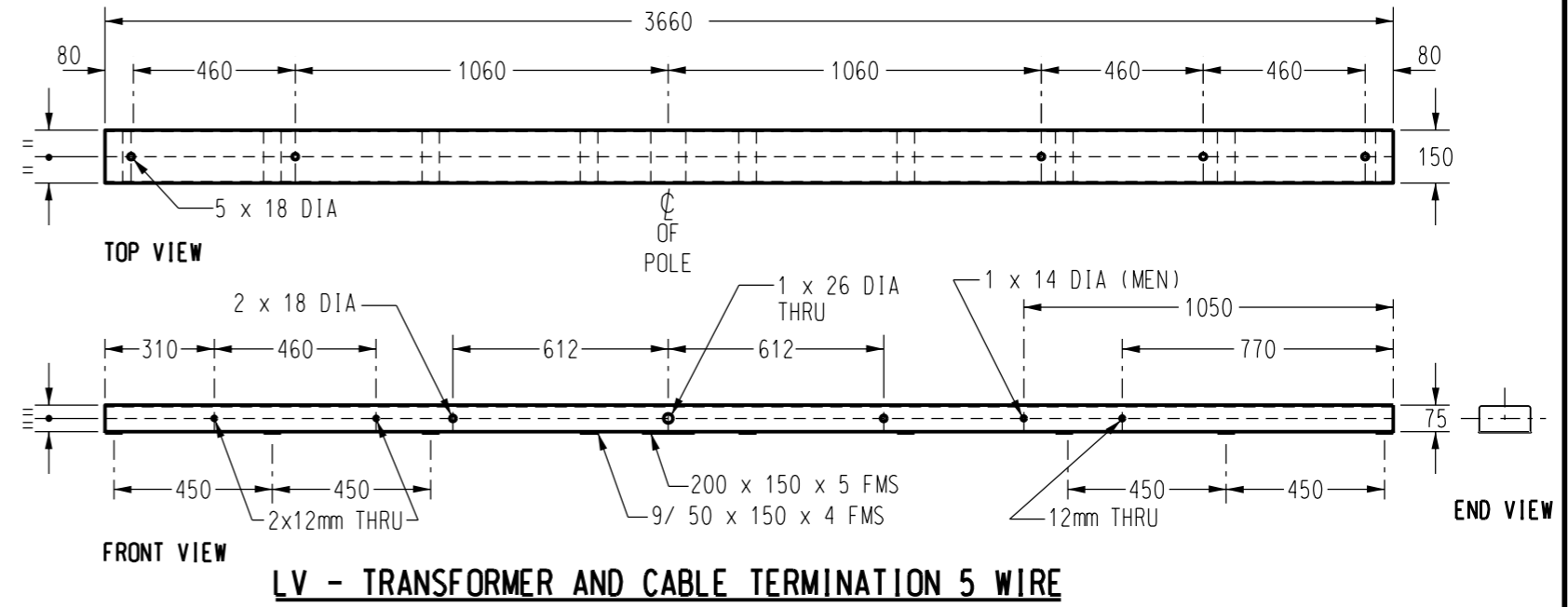


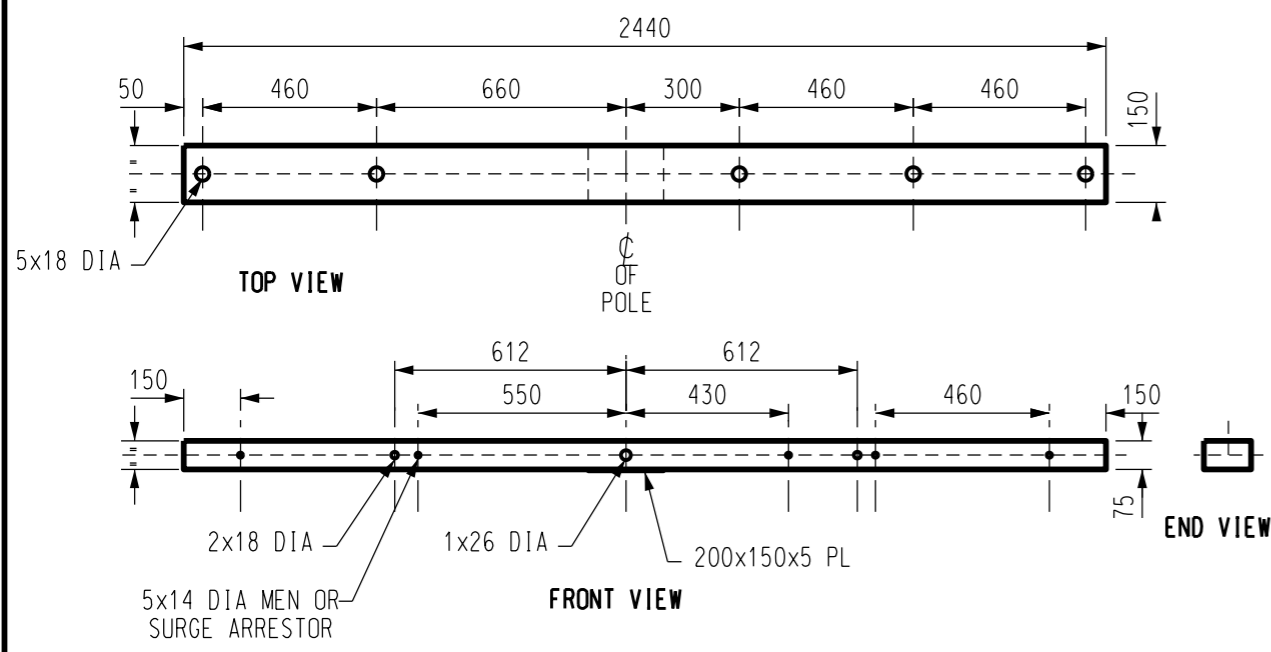
**LV-LINE, 5 WIRE**

MATERIAL: 150x75x5 DURAGAL CC  
 ITEM NUMBER: 406613  
 STRENGTH: 7.2kN



**LV - TRANSFORMER AND CABLE TERMINATION 5 WIRE**

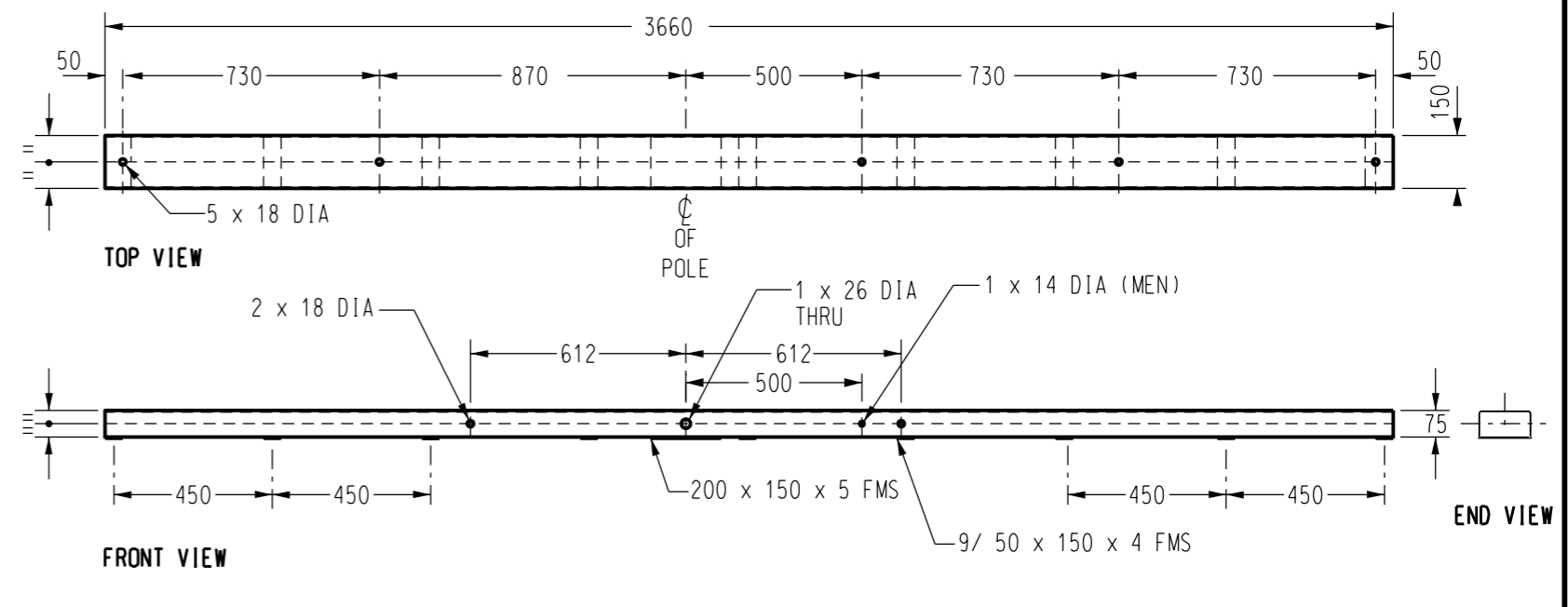
MATERIAL: 150x75x5 DURAGAL CC  
 STRENGTH: 4.4kN  
 ITEM NUMBER: 406610



**LV-TERMINATION, 5 WIRE**

MATERIAL: 150x75x9.5 HOT DIPPED GALVANIZED PFC  
 ITEM NUMBER: 504194

MATERIAL: 150x75x5 DURAGAL CC  
 ITEM NUMBER: 500497



**LV - TRUNCATED DEVIATION 5-WIRE**

MATERIAL: 150x75x5 DURAGAL CC  
 ITEM NUMBER: 500496

**NOTES**

1. ALL HOLES ARE TO BE ON BOTH SIDES OF THE CHANNEL
2. DURAGAL MATERIAL SHALL BE GRADE 450.

4	NOTE 2 ADDED, LV TERMINATION HDG PFC ADDED	P.H.	APR'18	I.B.	B.C
3	NOTE ADDED, CENTER LINES EXTENDED	A.T.	JUN'12	B.C.	S.C.
2	TERMINATION AND TRUNCATED CROSSARM ADDED, LINE ARM EXTENDED	A.T.	DEC'11	B.C.	S.C.
1	TRANSFORMER CROSSARM AMENDED	A.S.	APR'07	R.S.	S.C.
0	ISSUED FOR CONSTRUCTION	K.I.	SEPT'05	C.C.	C.C.

NO	DESCRIPTION	DRN	DATE	CKD	APPD
AMENDMENTS					



DES	C.T.F.
DRN	K.I.
CKD	C.C.
APPD	C.C.
SCALE	1:20
ISSUED	AUG '05
ALL DIM.	IN mm
DRAFTING STANDARD TO A.S.1100	

POWER STANDARD DRAWING	
<b>CROSSARMS LV 5 WIRE BOLTED CONNECTIONS FOR UNIVERSAL POLE CONSTRUCTION</b>	
<b>A3</b>	<b>DRAWING NUMBER S01-1-2-20</b>
CAD PRODUCT - DO NOT AMEND MANUALLY	

