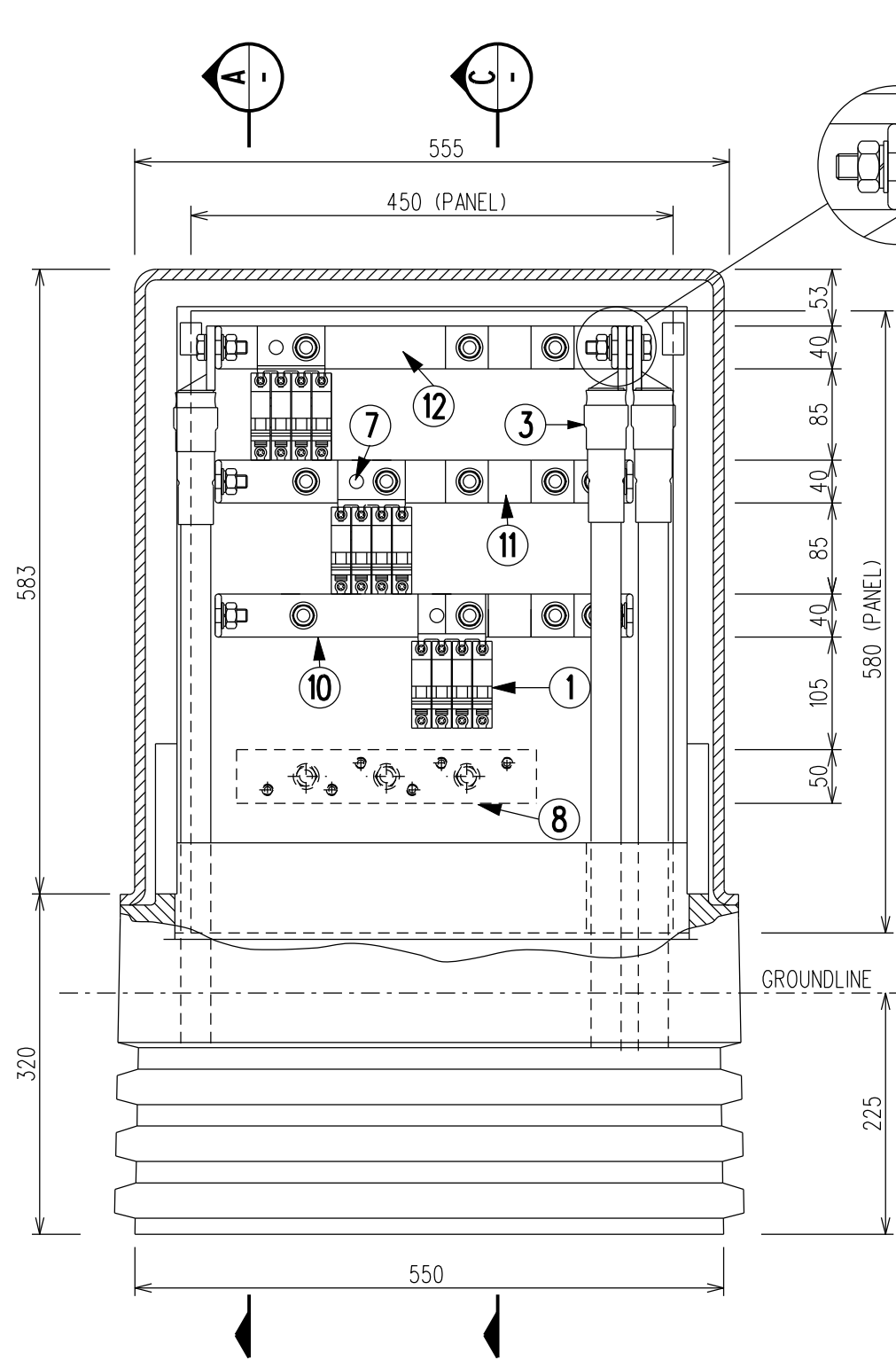
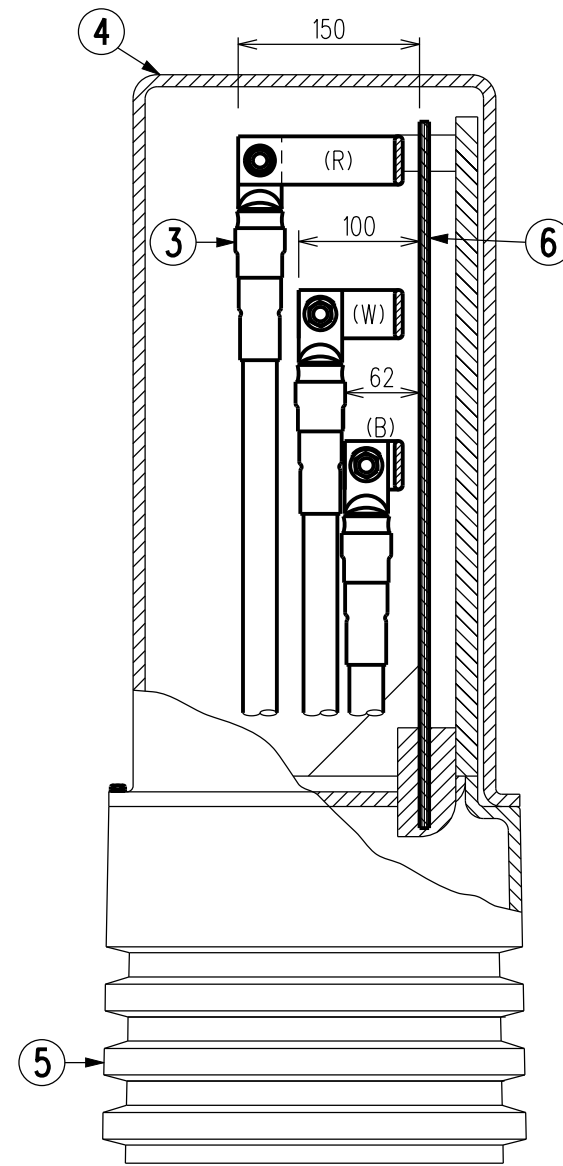


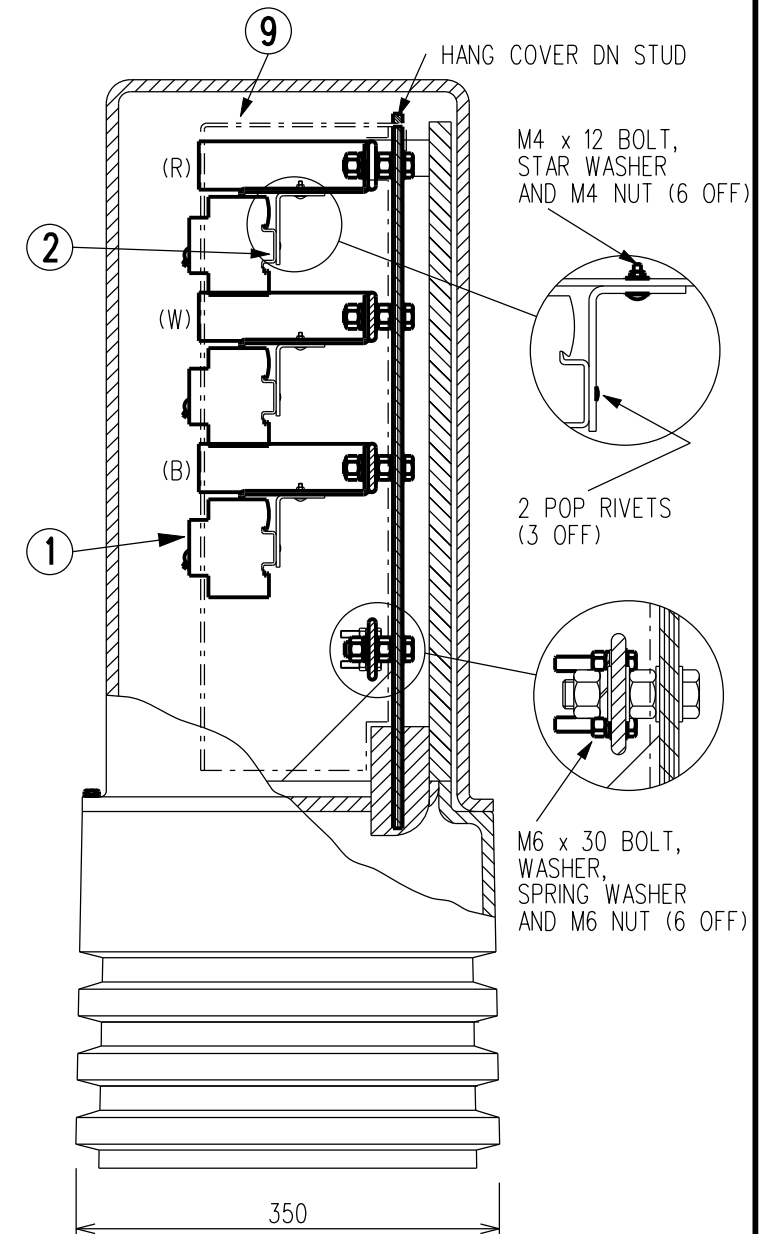
ITEM QTY.	DESCRIPTION	DWG No.	ITEM QTY.	DESCRIPTION	DWG No.
1	CIRCUIT BREAKER, DIN MOUNTED		7	BUSCOMB	S02-1-3-10
2	35mm DIN RAIL, 75 LONG AL		8	EARTHING BAR	S02-1-3-10
3	CABLES 240 AL XLPE		9	TOUCHSAFE COVER	S02-1-3-12
4	TURRET COVER	S02-1-3-10	10	BUSBAR (BLUE)	S02-1-3-12
5	TURRET BASE	S02-1-3-10	11	BUSBAR (WHITE)	S02-1-3-12
6	PANEL	S02-1-3-13	12	BUSBAR (RED)	S02-1-3-12



M12 x 40 BOLT,
WASHER, SPRING WASHER
AND M12 NUT (6 OFF)



SECTION A



SECTION C
CABLES AND LINKS
NOT SHOWN FOR CLARITY

NO	DESCRIPTION	DRN	DATE	CKD	APPD
1	SUPERSEDED BY S02-2-3-08	J.C.	JUN'09	A.T.	S.C.
0	ISSUED FOR CONSTRUCTION	K.I.	OCT'05	C.C.	C.C.
AMENDMENTS					

	DES	CHANNELL	POWER STANDARD DRAWING	
	DRN	A. SCHMID		
	CKD	R. CLEOPAS	DISTRIBUTION - PILLARS STREET SIDE TYPE SERVICE - GENERAL ARRANGEMENT	
	APPD	C. CAMILLERI		
	SCALE	NOT TO SCALE	A3	DRAWING NUMBER
ISSUED	DEC'04			
ALL DIM. IN mm		CAD PRODUCT - DO NOT AMEND MANUALLY		AMDT