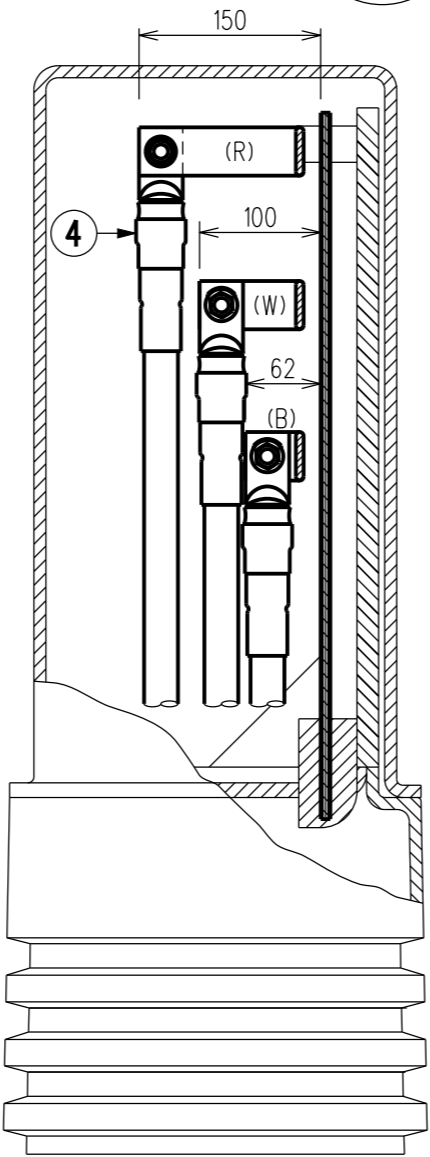
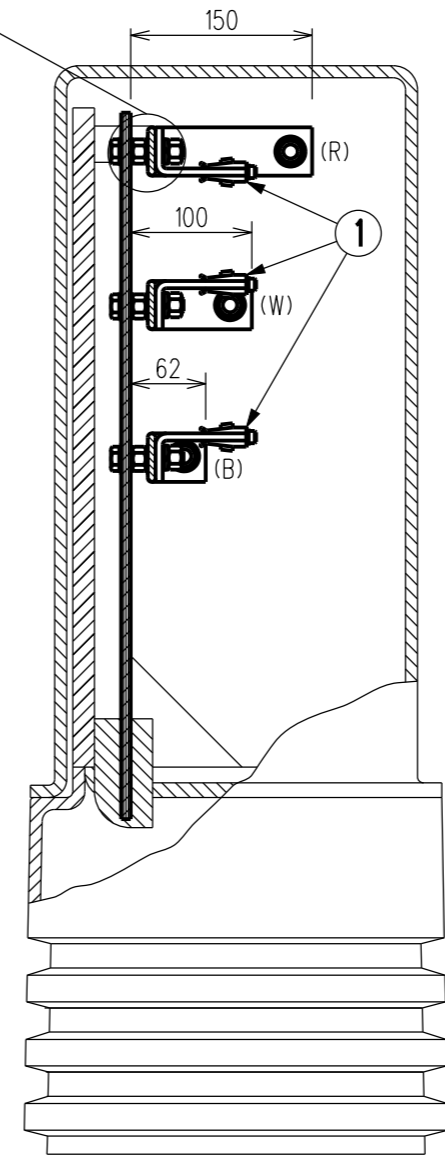


M12 x 50 BOLT, 2 STAR WASHERS, WASHER, SPRING WASHER AND 2 M12 NUTS (16 OFF)

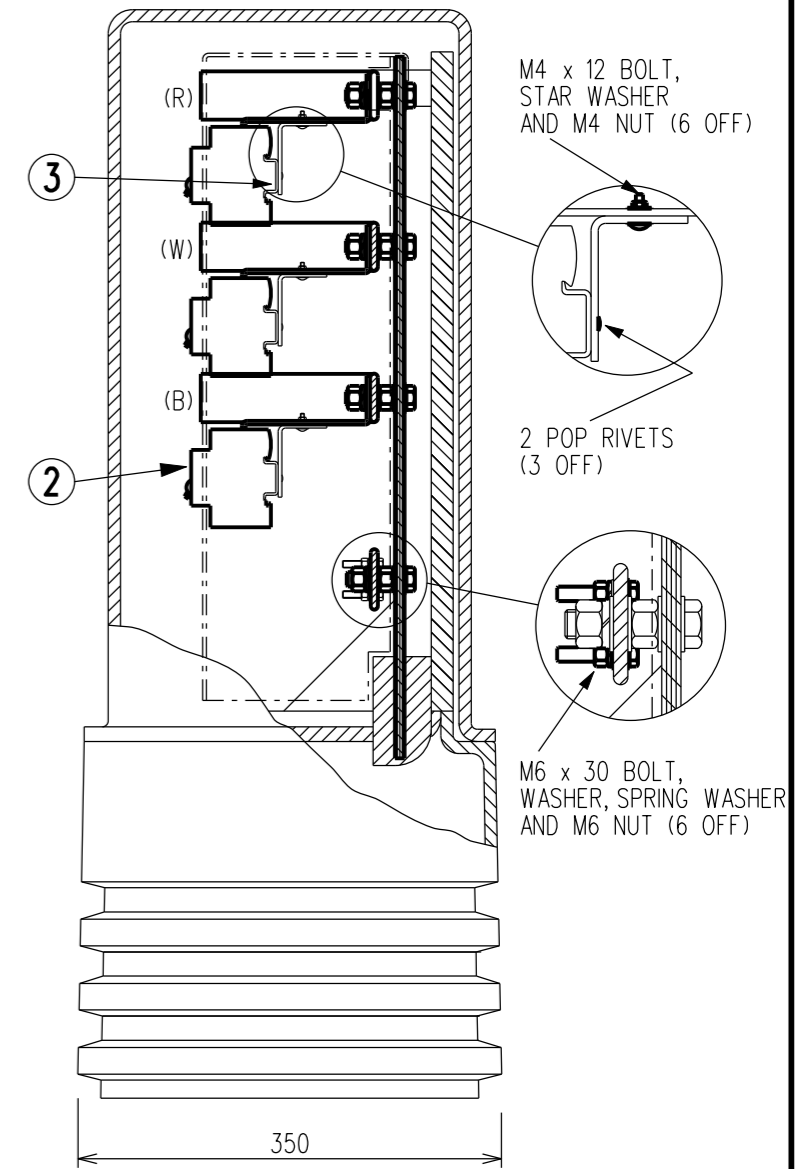
M12 x 40 BOLT, WASHER, SPRING WASHER AND M12 NUT (6 OFF)



SECTION A



SECTION B  
CABLES AND BREAKERS NOT SHOWN FOR CLARITY



SECTION C  
CABLES AND LINKS NOT SHOWN FOR CLARITY

ITEM	QTY.	DESCRIPTION	MATERIAL	STOCK CODE
1	3	LINK	TINNED COPPER	
2	12	CIRCUIT BREAKER	-	
3	3	35mm DIN RAIL, 75 LONG	ALUMINIUM	
4	6	CABLES	COPPER	

NO	DESCRIPTION	DRN	DATE	CKD	APPD
1	SUPERSEDED BY S02-2-3-08	J.C.	JUN'09	A.T.	S.C.
0	ISSUED FOR CONSTRUCTION	A.S.	DEC'04	R.C.	C.C.
AMENDMENTS					

DES CHANNELL  
DRN A. SCHMID  
CKD R. CLEOPAS  
APPD C. CAMILLERI  
SCALE NOT TO SCALE  
ISSUED DEC'04  
ALL DIM. IN mm  
DRAFTING STANDARD TO A.S.1100

POWER STANDARD DRAWING  
**DISTRIBUTION - PILLARS  
RESIDENTIAL SERVICE TYPE  
LV POWER PILLAR/LAYOUT**

A3 DRAWING NUMBER  
**S02-2-3-10**  
CAD PRODUCT - DO NOT AMEND MANUALLY

