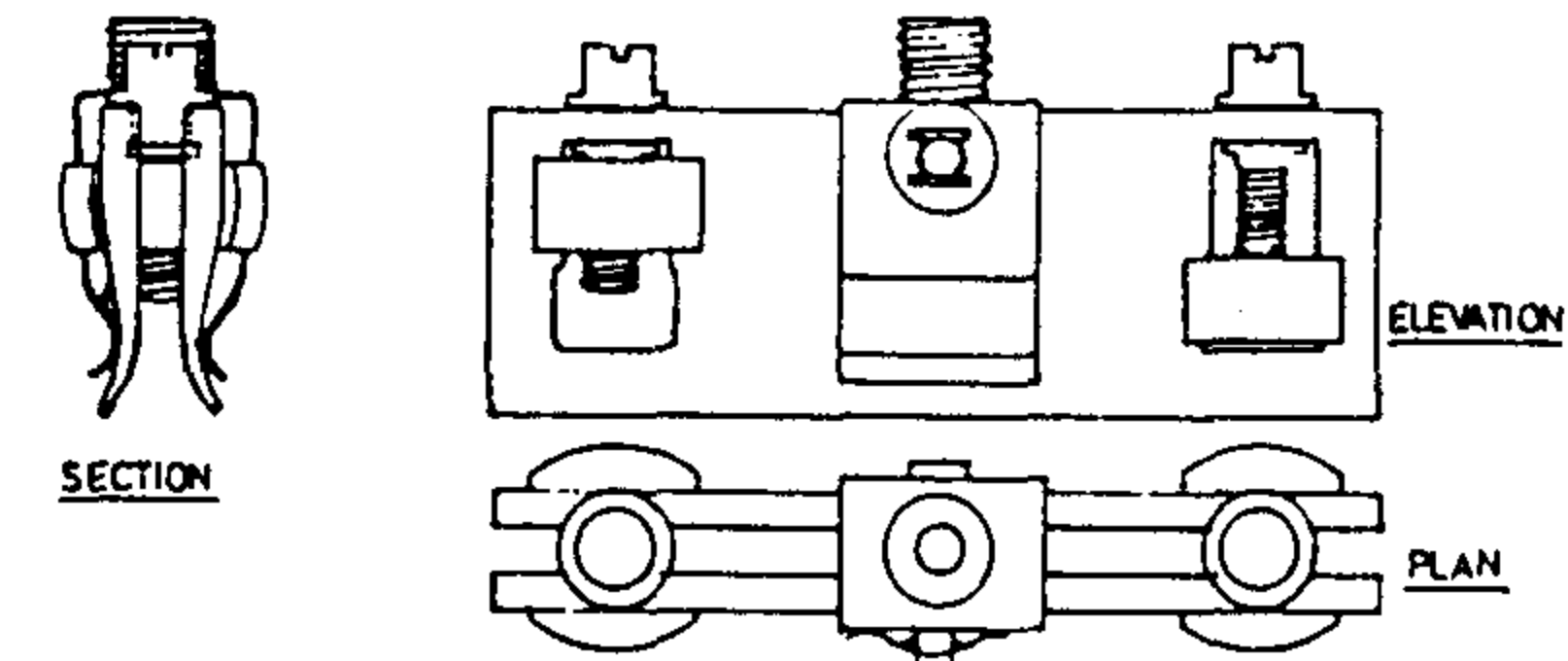
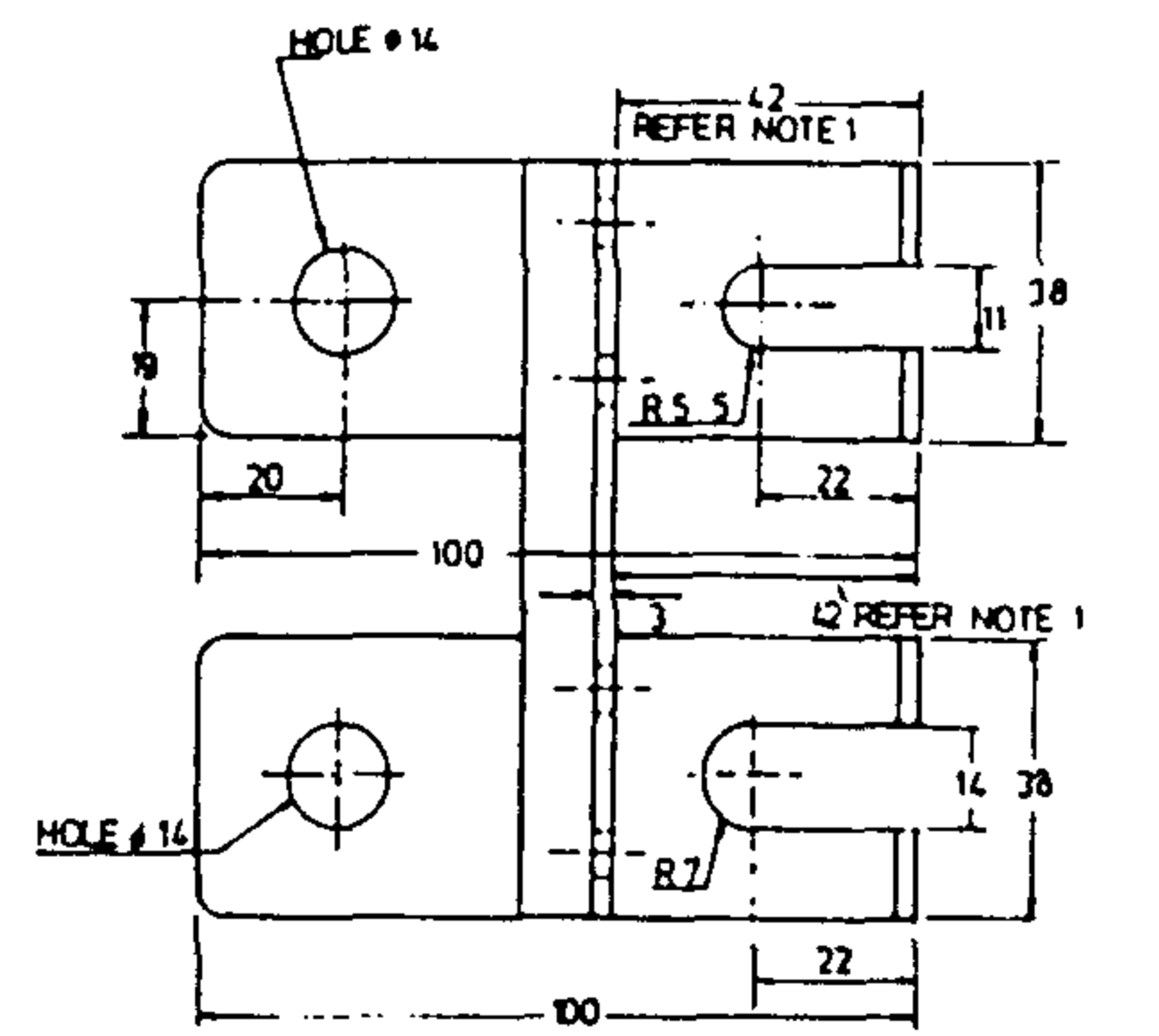
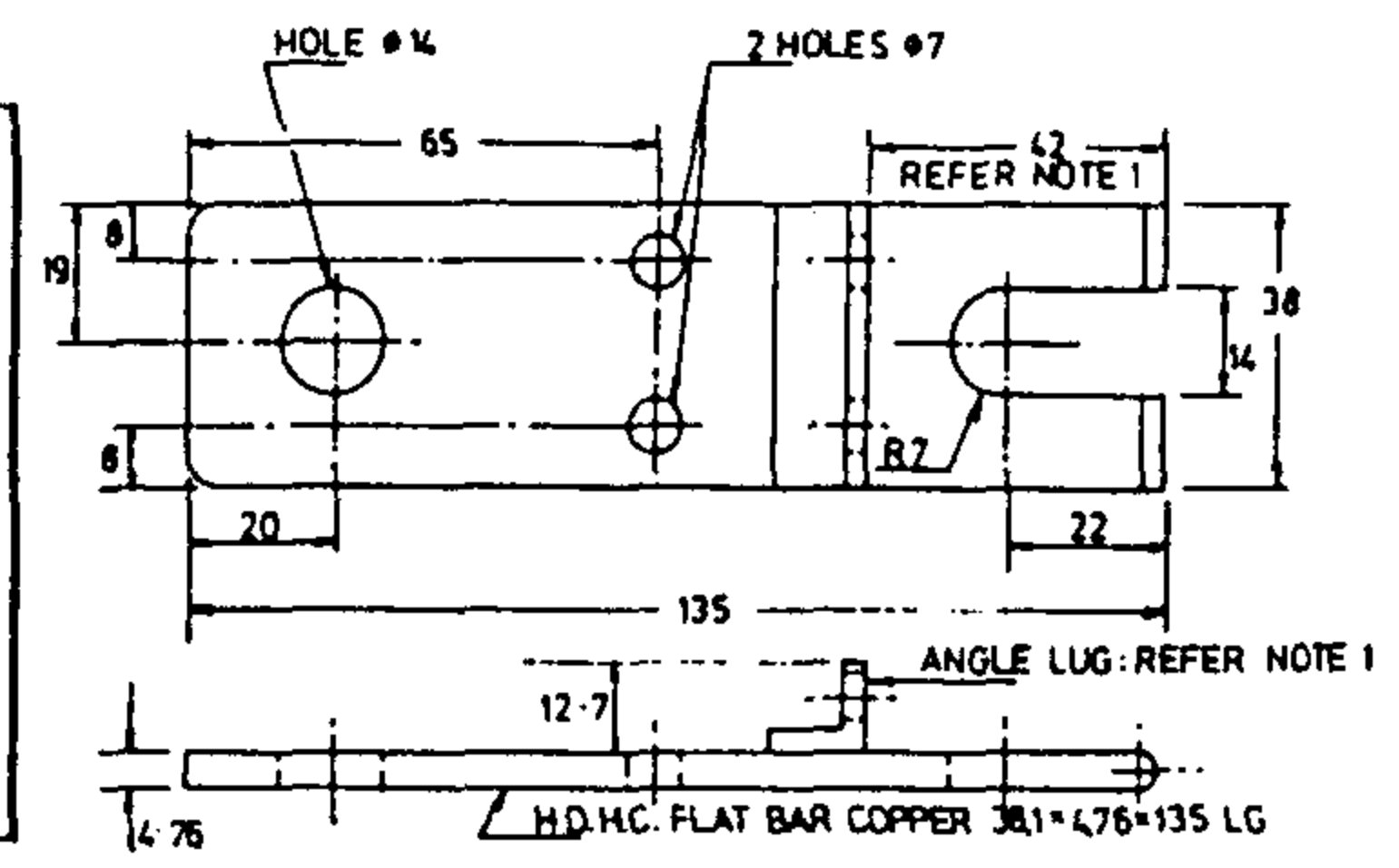
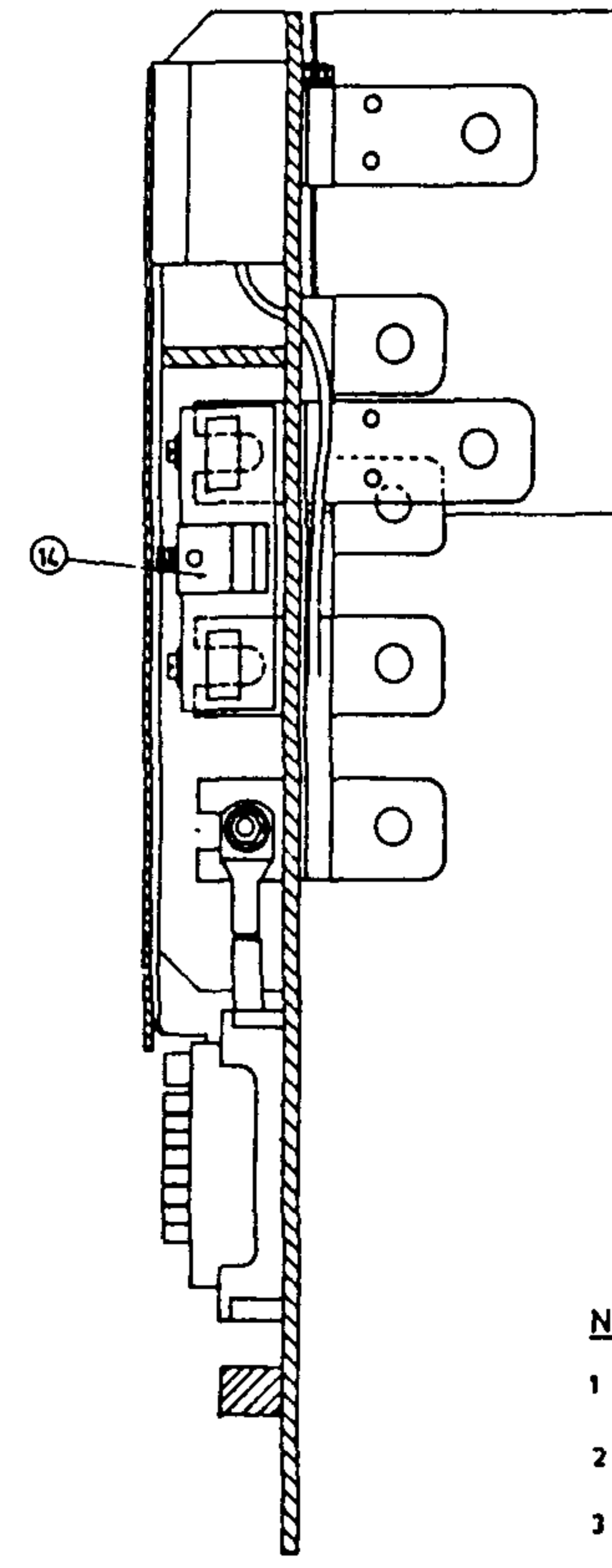
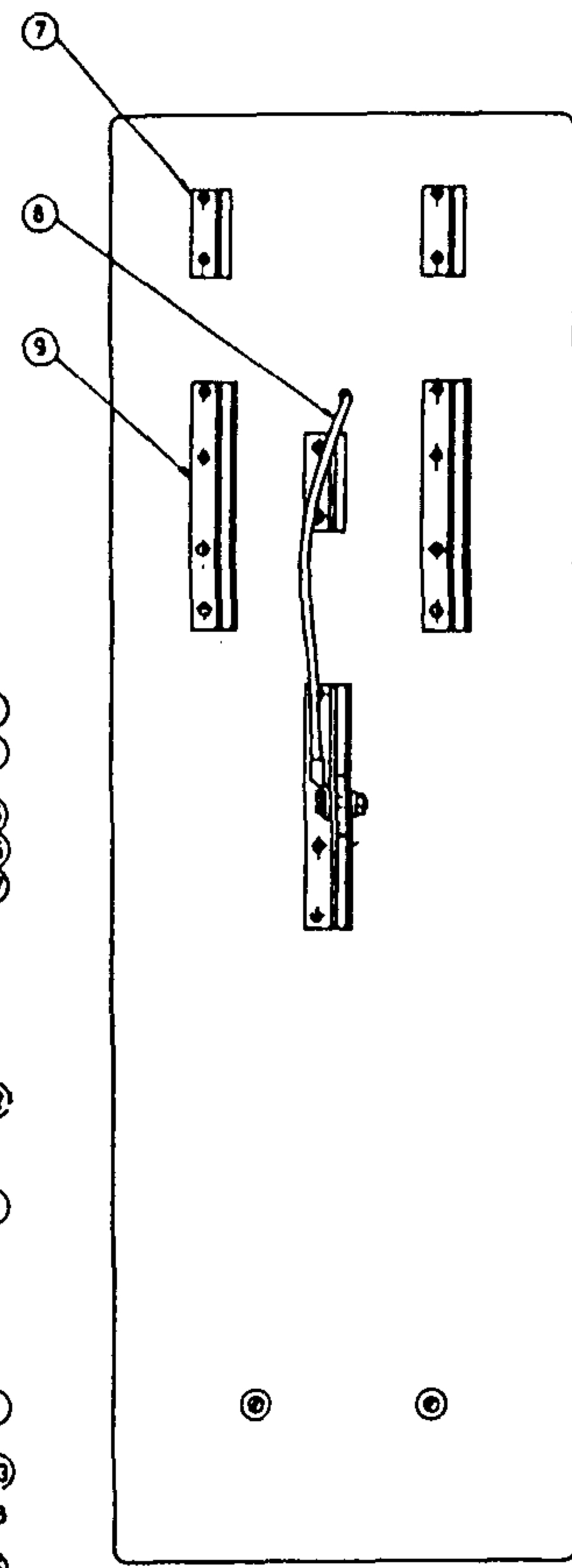
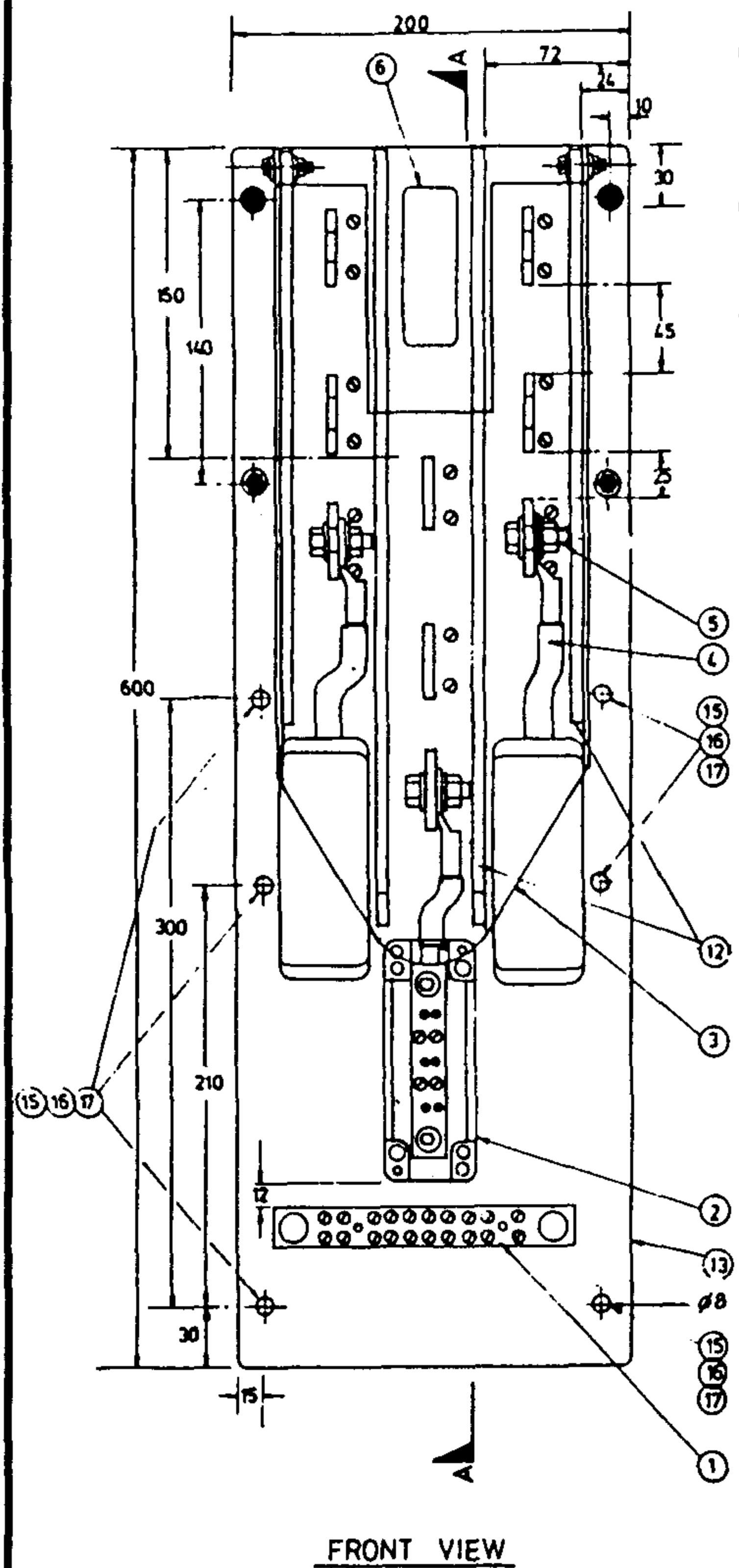


3RD ANGLE — DO NOT SCALE — REPORT ANY ERRORS, OMISSIONS TO DRAFTING OFFICE



ITEM 14 LINK PILLAR URD
STOCK CODE-10892

NOTES

- 1 LUGS 12.7 x 12.7 x 3.2 TO BE SILVER SOLDERED IN POSITION SHOWN, PRIOR TO ELECTRO PLATING
- 2 MATERIAL PHENOLIX RESIN BONDED PAPER LAMINATED SHEET (TYPE 1) IN ACCORDANCE WITH AS 1795 PART 1
- 3 BLADES TO BE ELECTRO TINNED ALL OVER AFTER MANUFACTURE.
- 4 ALL UNSPECIFIED RADII TO BE R 8
- 5 PHASE COLOURS SHALL BE RED: WHITE: BLUE - LEFT TO RIGHT VIEWED FROM FRONT
- 6 ALL MISCELLANEOUS SCREWS BOLTS & NUTS SHALL BE STAINLESS STEEL OR BRASS
- 7 ACTIVE LINKS BP 350/7 THE TUNNEL 2.6 AND 4 (2x7.8mm, 1x6.4mm DIA.) ARE TO BE DRILLED THROUGH THE BLOCKS
- 8 PERSPEX SHIELD TO BE REINFORCED AT HINGES (Eg DOUBLE THICKNESS)

| ITEM | DESCRIPTION | QTY |
|------|---|--------|
| 17 | BRASS HEXAGONAL NUT M6 | 6 OFF |
| 16 | BRASS WASHER R8.6 | 12 OFF |
| 15 | BRASS CHEESE HEAD SCREW M6 X 25 | 6 OFF |
| 14 | LINKS HENLEY OR ALM TO BE SUPPLIED WITH PANEL | |
| 13 | PANEL 6mm THICK. (SEE NOTE 2) | |
| 12 | PHASE BARRIERS | |
| 11 | M5 BOLT, NUT, 2 WASHERS, BELLEVILLE WASHER | |
| 10 | SHIELD 2mm THICK PVC | |
| 9 | TERMINAL TINNED H.D.H.C. COPPER | |
| 8 | CABLE 2.5mm ² Cu PVC PVC WITH UTILUX CG05/LMS/LUG | |
| 7 | TERMINAL TINNED H.O.H.C. COPPER | |
| 6 | HRC FUSE RED SPOT RS 5 PH BASE AND HOLDER | |
| 5 | M10 BOLT & NUT, 2 WASHERS, BELLEVILLE WASHER | |
| 4 | CABLE 70mm ² Cu PVC WITH UTILUX CG70/M10 LUG | |
| 3 | CLEAR PERSPEX SHIELD 2mm THICK | |
| 2 | ACTIVE LINK BLUE POINT BP 350/7 | |
| 1 | NEUTRAL LINK BRASS FOR 10 OFF 35mm ² Cu CABLES AND 2 OFF 220mm ² Cu CABLES. (BP LUG/10) | |

PALMERSTON ONLY

| | | | | | | |
|---|--|------|-----|--------------------------|--------------------------|--|
| 1 | GENERAL REVISION. TITLE & Org NUMBER CHANGED. ITEM 14 STOCK CODE ADDED | 6/88 | Q14 | <p>POWER DIRECTORATE</p> | DES D.K. Sweeney | NT STANDARD DRAWING |
| | No. | | | | <p>POWER DIRECTORATE</p> | DRN <i>S.K. Sweeney</i> CKD <i>S.K. Sweeney</i> APPD <i>W.D.</i> ISSUED 5.2.86 DRAFTING STANDARD TO A.S. 1100 ALL DIM. IN mm. |

