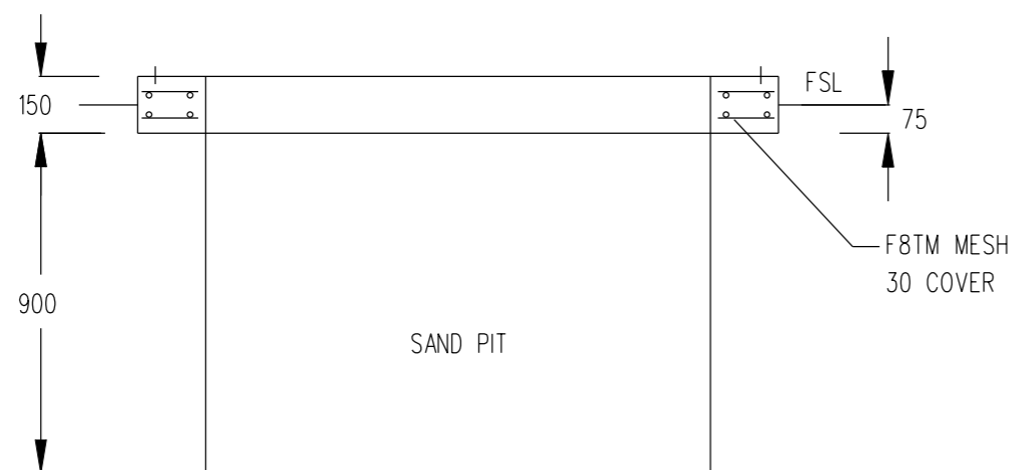
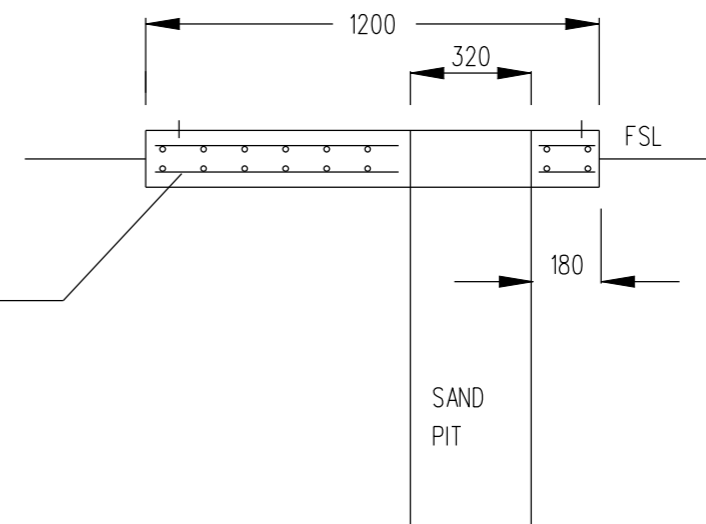


NOTE: CONCRETE TO BE 32MPa MINIMUM,
80mm MIN. SLUMP TO A.S. 3600.



SECTION A



SECTION B

**FOUNDATION DETAIL FOR 3 WAY RM6
RING MAIN UNIT**

NOTE:
UNITS IN mm UNLESS OTHERWISE INDICATED

NO	DESCRIPTION	DRN	DATE	CKD	APPD
2	SUPERSEDED, NO LONGER IN USE	J.C.	OCT'08	B.C.	S.C.
1	DIMENSION 800 CHANGED TO 700, DIMENSION 180 ADDED	A.S.	29.1.04	R.C.	M.B.
0	ISSUED FOR CONSTRUCTION	A.S.	NOV'02		
AMENDMENTS					



DES	C. FOO	POWER STANDARD DRAWING		
DRN	A. SCHMID	CIVIL RING MAIN UNIT 3 WAY RM6 FOUNDATION DETAIL		
CKD	M. BOCK			
APPD	T. TANG			
SCALE	1 : 20			
ISSUED	NOV'02	A3	DRAWING NUMBER	S02-2-6-24
ALL DIM. IN mm				
DRAFTING STANDARD TO A.S.1100		CAD PRODUCT — DO NOT AMEND MANUALLY		AMD T