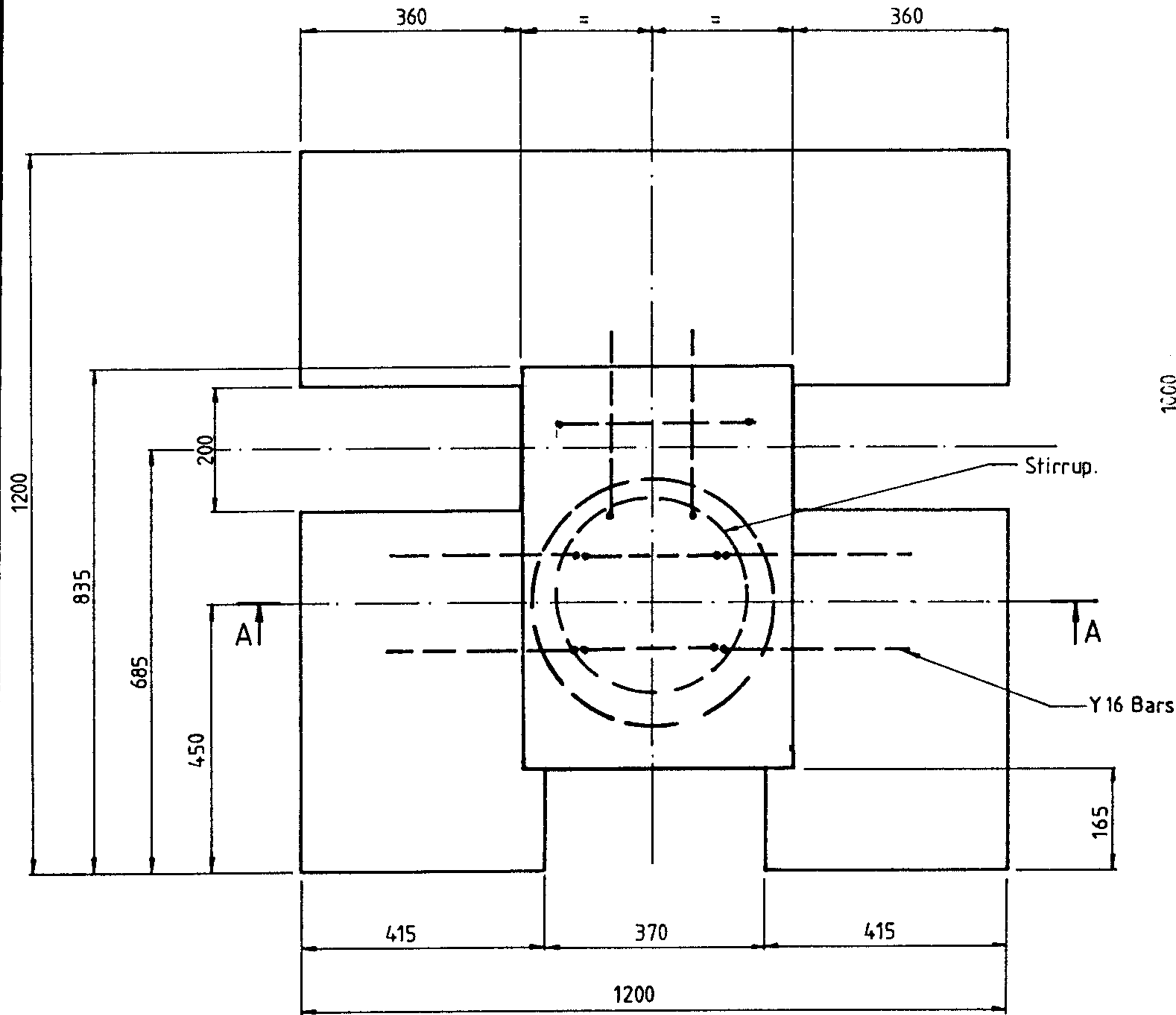
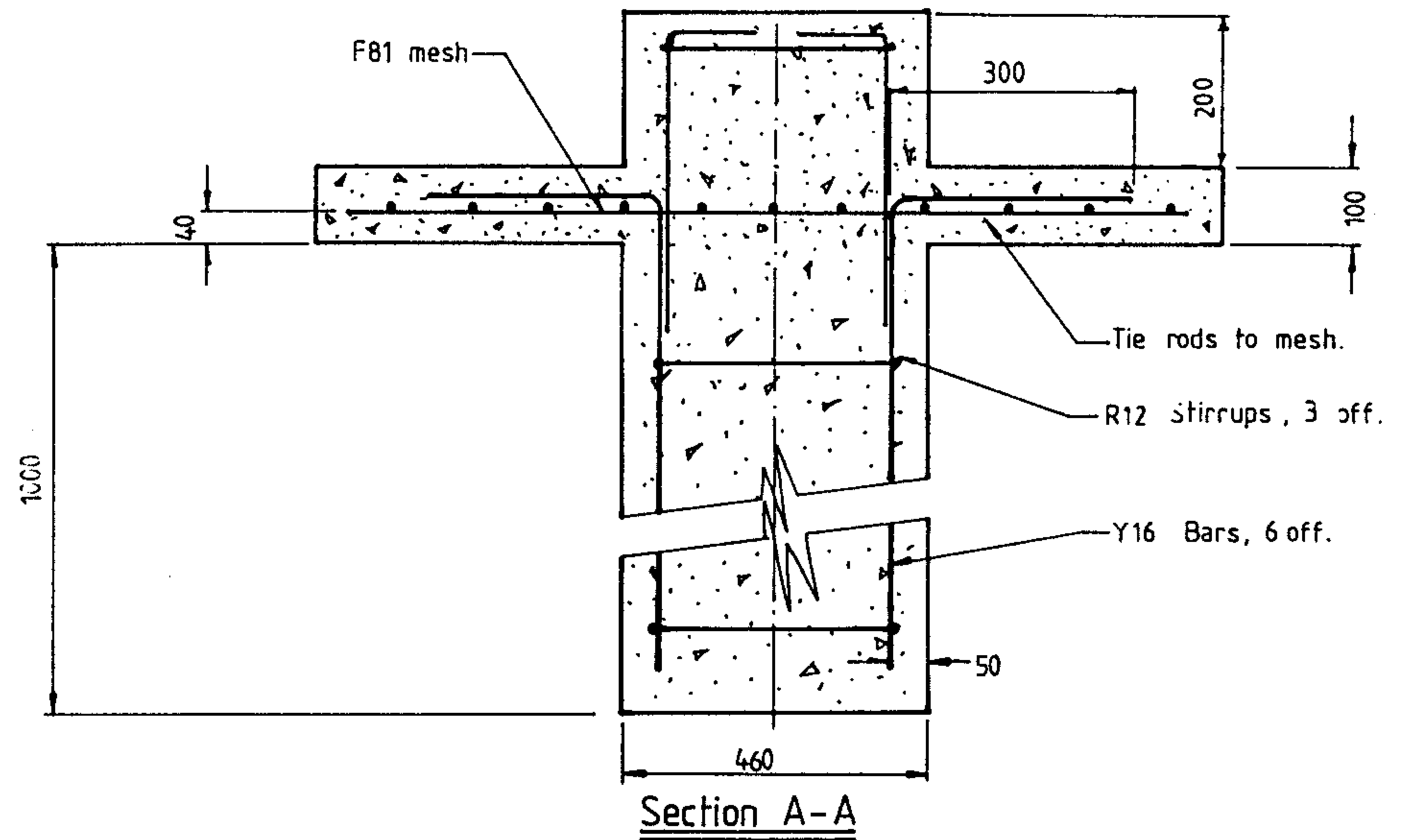


3RD ANGLE — DO NOT SCALE — REPORT ANY ERRORS, OMISSIONS TO DRAFTING OFFICE



Plan View
(Mesh not shown.)



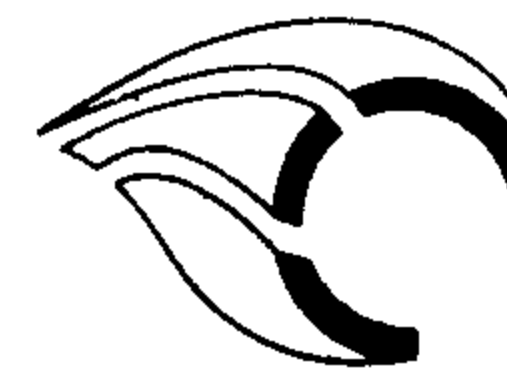
Section A-A

NOTES:

1. Reinforcement specification : Mesh - F81 to AS 1304
Bars - to AS 1302.
2. Concrete to be 20 MPa at 28 days.
3. Minimum concrete cover over reinforcement to be 40 mm.
4. Unit to be fixed to foundation with suitable concrete anchoring bolts. Drill holes on site.

No.	AMENDMENT	DATE	INIT.
3	TITLE & Drg NUMBER CHANGED	6/88	RJA
2	Index number Amended	1-11-95	GM'S
1	GENERAL REVISION	1-85	T.R.

**POWER
AND
WATER
AUTHORITY**



POWER DIRECTORATE

DES AS BUILT
DRN S. JACKSON
CKD <i>H. Smith</i>
APPD <i>H. Smith</i>
ISSUED 16-12-81
DRAFTING STANDARD TO A.S. 1100
ALL DIM. IN mm

N T STANDARD DRAWING	
TITLE	CIVIL
RING MAIN UNIT	
CRAWFORD	
FOUNDATION DETAILS	
DRAWING NUMBER	S2-2-6-6
SCALE	N.T.S.
SHEET	—



AMDT.