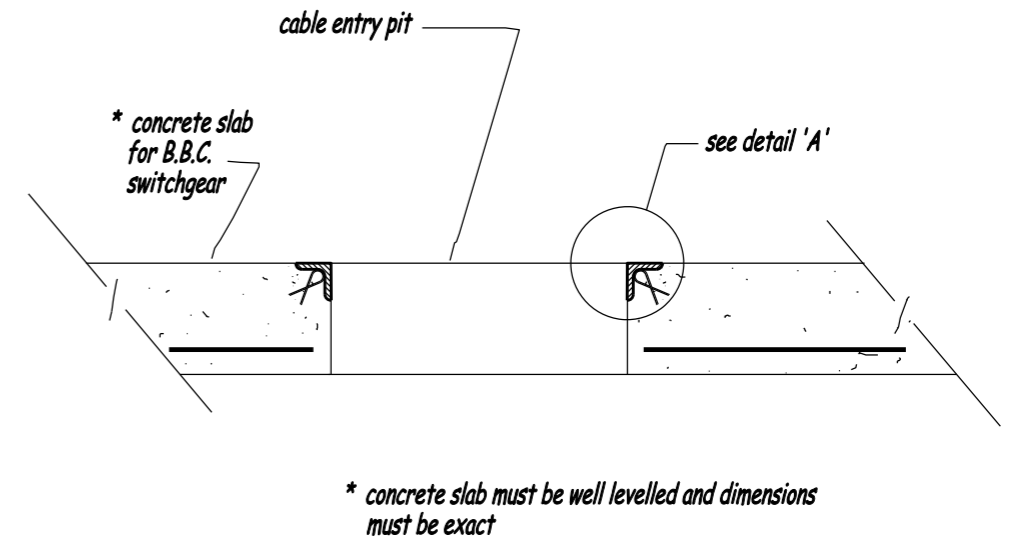
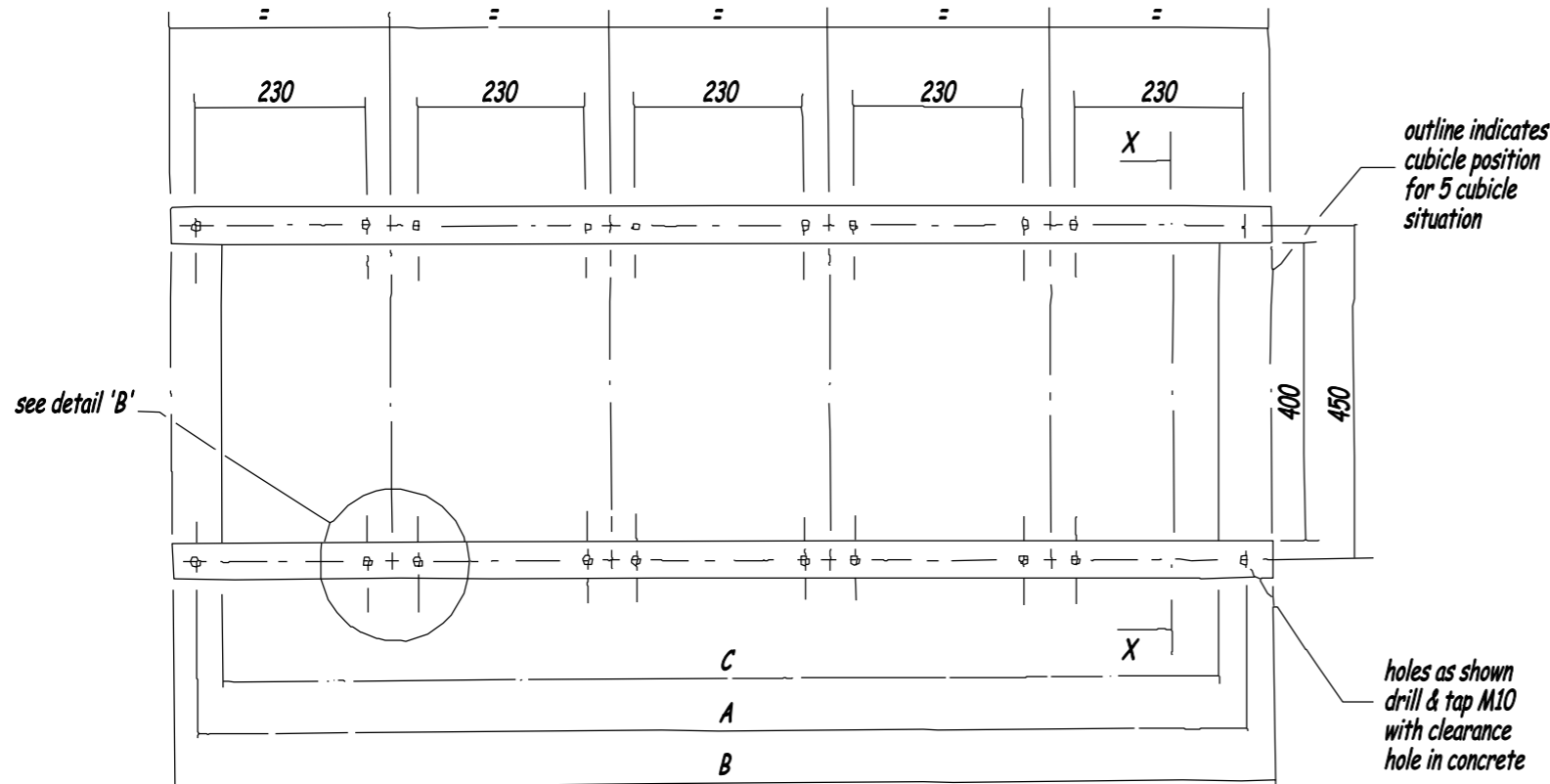


⊕ · ⊞ · JRD ANGLE — DO NOT SCALE — REPORT ANY ERRORS, OMISSIONS TO DRAFTING OFFICE

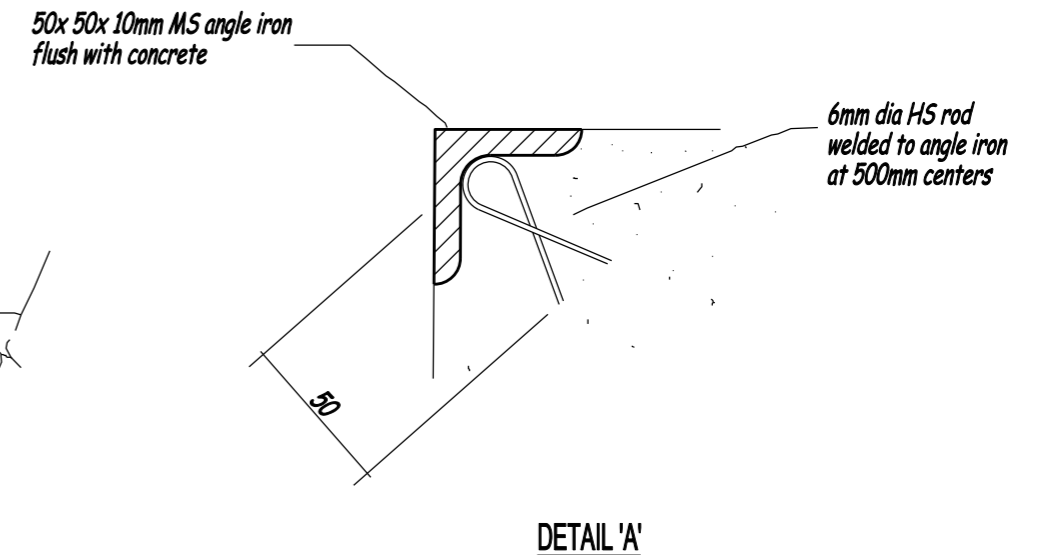
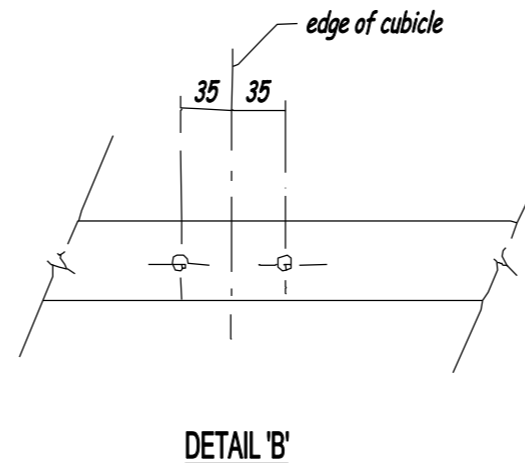


NUMBER OF CUBICLES	2	3	4	5
DIM A	530	836	1130	1430
DIM B	600	900	1200	1500
DIM C	480	780	7080	1380

MATERIAL : 50x 50x 10mm MS equal angle to A.S. 1131
Dia 6.5mm MS rod to A.S. 2338

FINISH : Hot dip galvanised to A.S. 1650

TOLERANCE : +/- 2mm general
+/- 1mm hole centres



NO	DESCRIPTION	DRN	DATE	CKD	APPD
4	SUPERSEDED	A.T.	DEC2012	B.C.	B.C.
3	REDRAWN ON CAD	C.W.M.	DEC2010	V.H.H.T.	V.H.H.T.
2	TITLE & DRAWING NUMBER CHANGED	R.L.F.	6.88	R.H.	K.C.
1	GENERAL REVISION	T.E.B.R.	1.85	R.H.	K.C.
AMENDMENTS					



DES	J.HASSANEN
DRN	W.J.CHIN
CKD	J.HASSANEN
APPD	T.A.SMITH 24/8
SCALE	N.T.S.
ISSUED	5.2.86
ALL DIM. IN mm	
DRAFTING STANDARD TO A.S.1100	

NT STANDARD DRAWING
CIVIL
BBC SWITCHGEAR SUPPORT
FOUNDATION DETAILS

A3 DRAWING NUMBER S02-2-6-05

CAD PRODUCT - DO NOT AMEND MANUALLY



AMDT