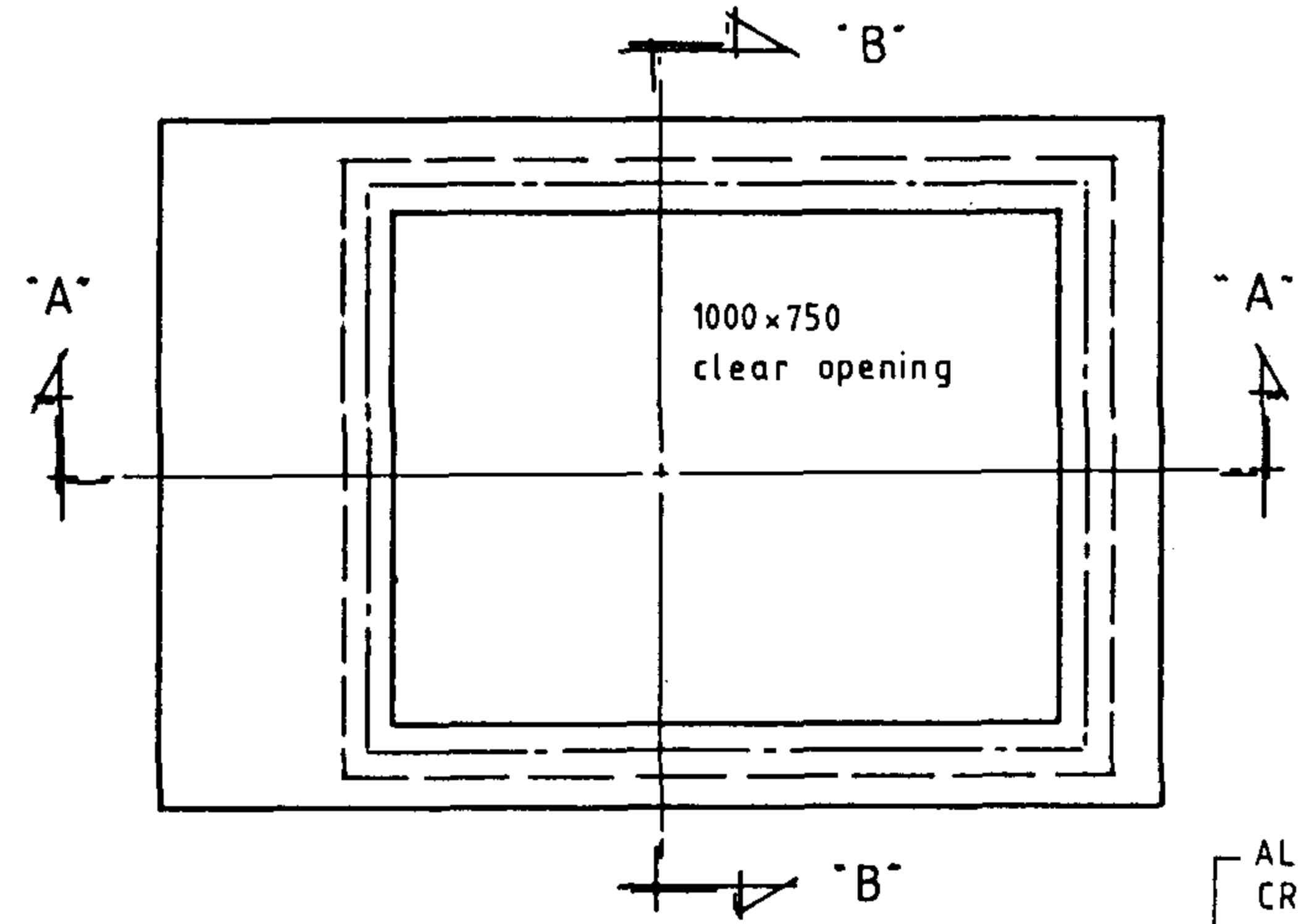
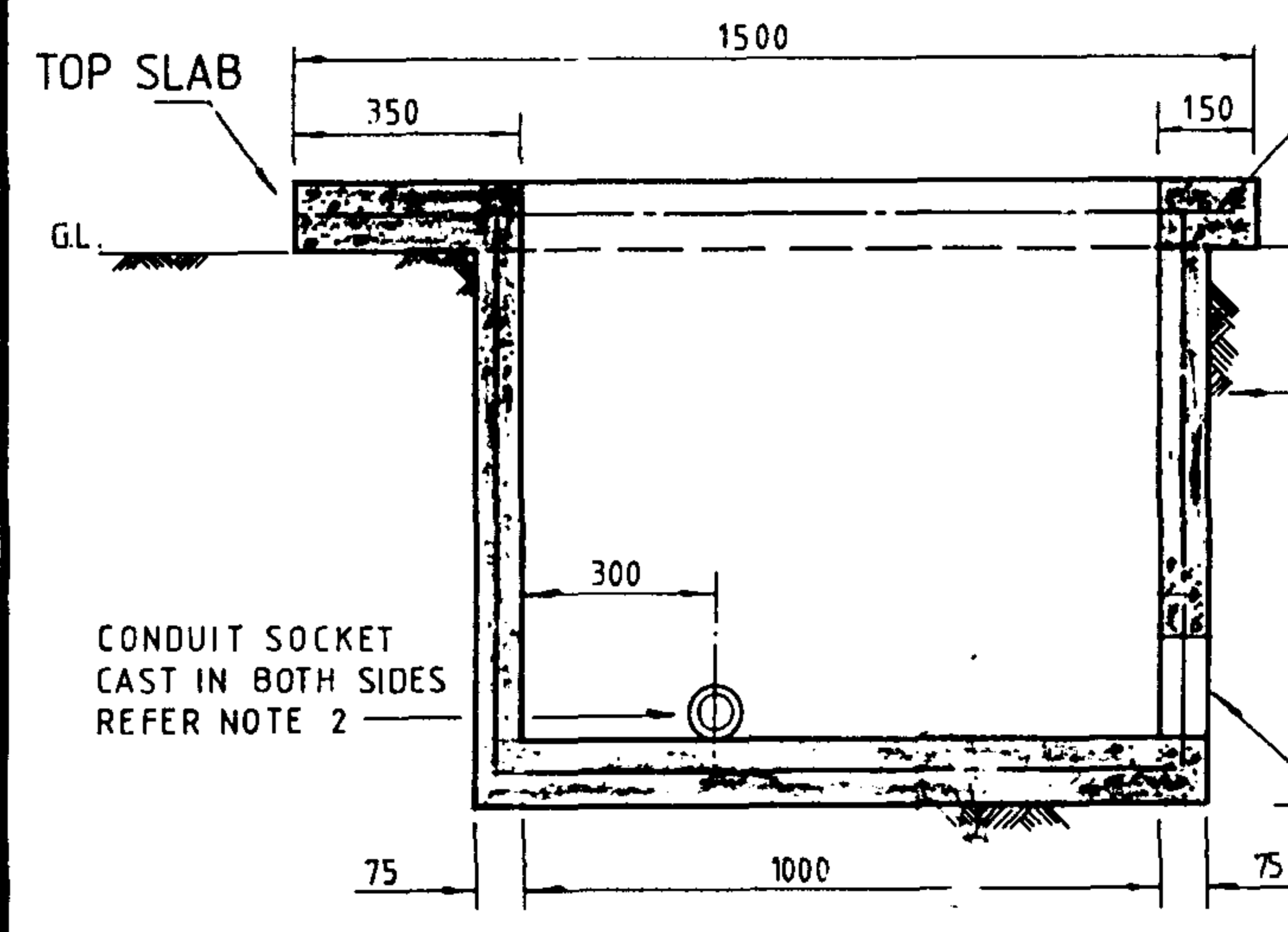


3RD ANGLE — DO NOT SCALE — REPORT ANY ERRORS, OMISSIONS TO DRAFTING OFFICE

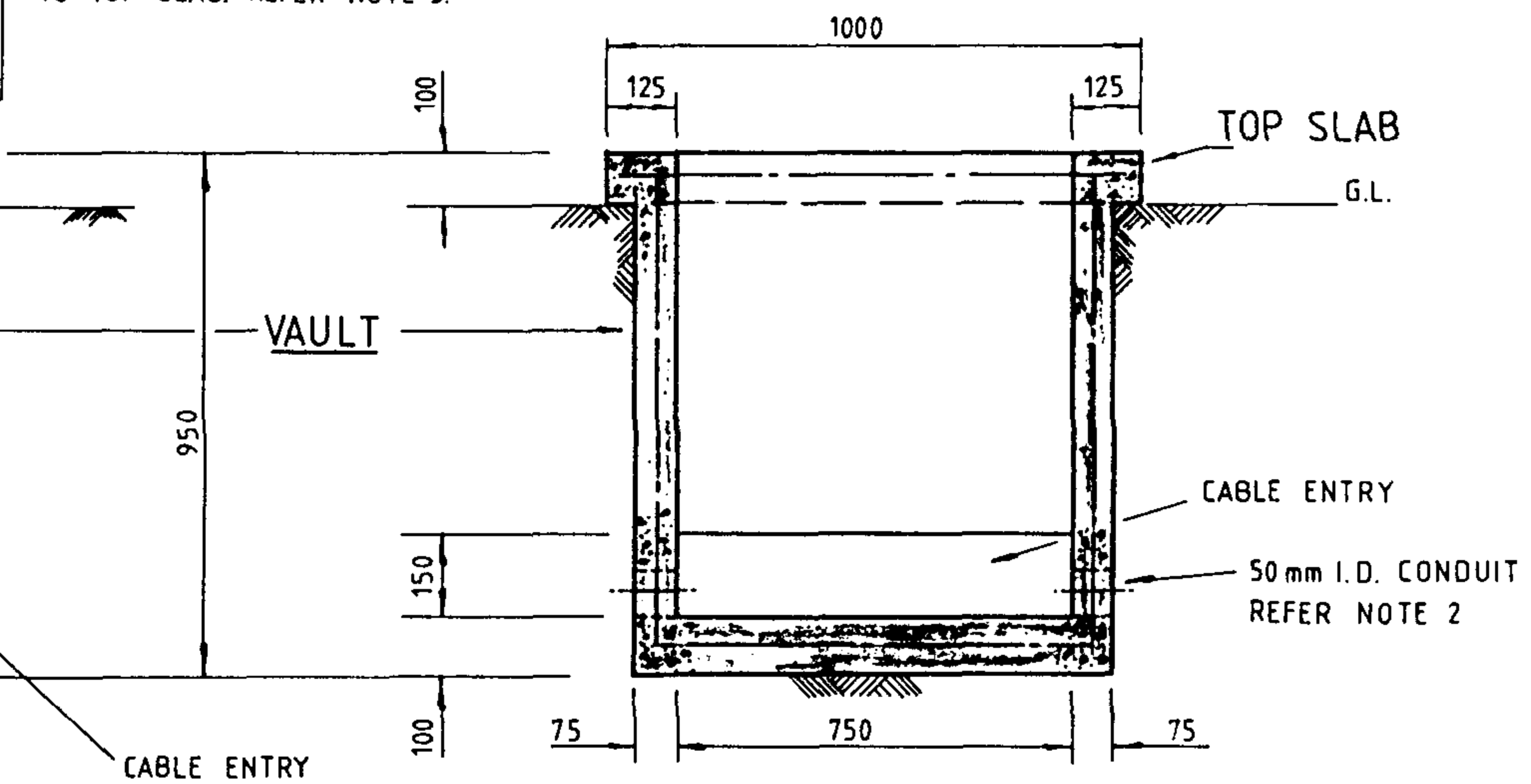
- NOTES -**
1. VAULT MAY BE PRE-CAST, IF SO BACKFILL MUST BE COMPACTED. TOP SLAB TOO BE CAST ON SITE TO ENSURE STABILITY.
 2. PROVISION IS TO BE MADE FOR A 50mm. N.B. CONDUIT EACH SIDE.
 3. REINFORCE VAULT WITH F62 MESH, BOTTOM AND SIDE BONDED. ALLOW SUFFICIENT MESH TO PROTRUDE FROM TOP OF WALLS TO CONNECT TO TOP OF SLAB ie. 76mm. AT FRONT AND SIDES, 300mm. AT REAR.
- REINFORCE CORNERS OF TOP SLAB WITH ADDITIONAL MESH.



ALL REINFORCING TO BE F62 MESH. CRANK MESH FROM WALLS TO TOP SLAB. REFER NOTE 3.



SECTION 'A-A'



SECTION 'B-B'

No.	AMENDMENT	DATE	INIT
3	TITLE & Org NUMBER CHANGED	6/88	Q13
2	REDESIGNED & REDRAWN	1/85	TR

<p>POWER AND WATER AUTHORITY</p> <p>POWER DIRECTORATE</p>	DES <i>R. HAIGH</i>	N T STANDARD DRAWING	
	DRN <i>P.W.G.</i>	TITLE	CIVIL PACKAGE SUBSTATION
	CKD <i>[Signature]</i>		50kVA-11kV SINGLE PHASE
	APPD <i>[Signature]</i>		FOUNDATION DETAILS
	ISSUED <i>4.2.86</i>	A3	DRAWING NUMBER S2-2-6-4
	DRAFTING STANDARD TO A.S. 1100	SCALE	SHEET
	ALL DIM. IN mm.		AMDT 3