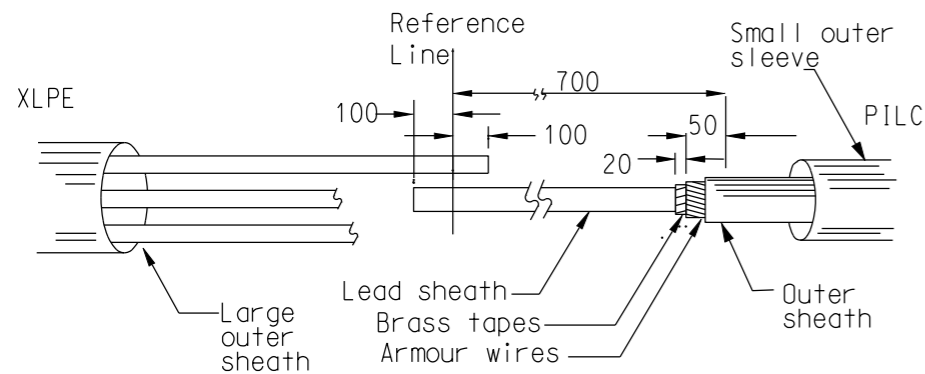


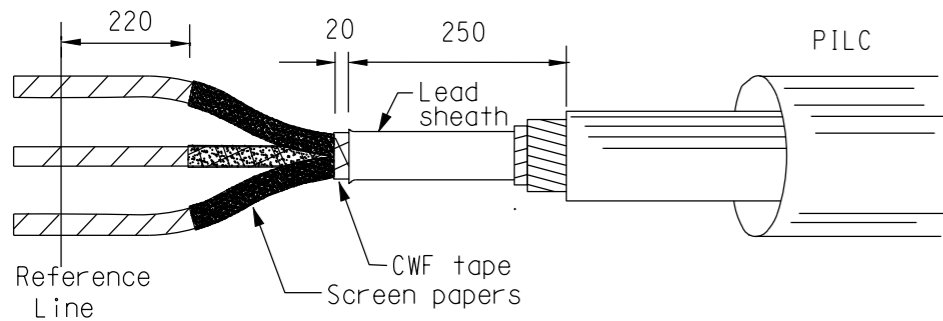
1. OVERLAP PILC & XLPE CABLES ABOUT 200mm AND MARK REFERENCE LINE AT CENTRE OF OVERLAP. CLEAN THE CABLES AND COVER WITH PLASTIC WRAP 1.8m EACH SIDE OF REF LINE. SLIDE THE SMALL OUTER SLEEVE OVER THE PAPER CABLE AND THE LARGER ONE OVER ALL THREE XLPE CABLES.

2. PILC - REMOVE OUTER SHEATH, ARMOUR AND BRASS TAPES TO THE DIMENSIONS SHOWN. CLEAN AND DEGREASE LEAD SHEATH AND ARMOUR. RE-MARK THE REF LINE ON THE LEAD SHEATH.

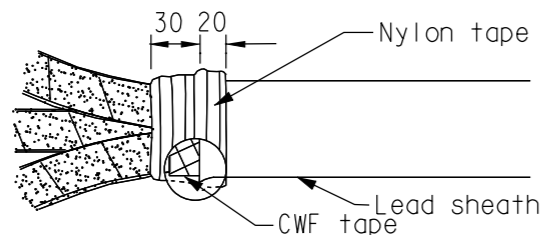


3. PILC - REMOVE LEAD SHEATHS TO THE DIMENSIONS SHOWN, FORMING A SLIGHT BELL. TAKE CARE NOT TO DAMAGE THE UNDERLYING CORE SCREEN PAPERS.

UNWIND THE COPPER WOVEN FABRIC (CWF) TAPE BACK TO THE LEAD SHEATH AND REMOVE FILLERS FROM BETWEEN THE CORES. REWIND SOME OF THE CWF TAPE AROUND THE CORES AT THE CRUTCH TO THE DIMENSION SHOWN AND TIE OFF. RE-MARK THE REF LINE ON THE CORES.

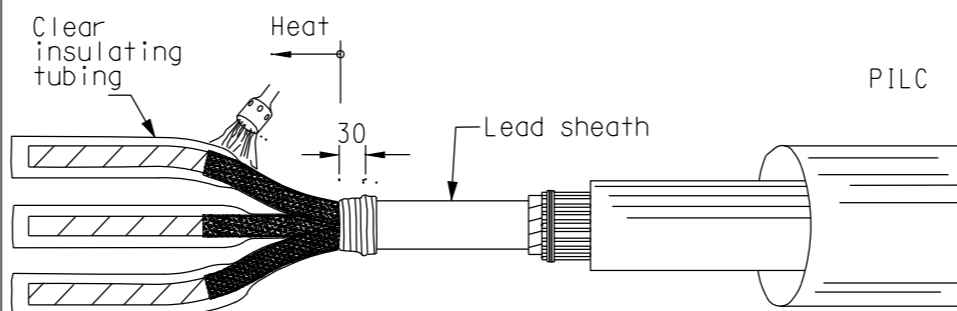


PROTECT CWF TAPE BY APPLYING NYLON TAPE WITH TENSION STARTING 20mm ONTO THE LEAD SHEATH AND ENDING 30mm ON THE CORES.

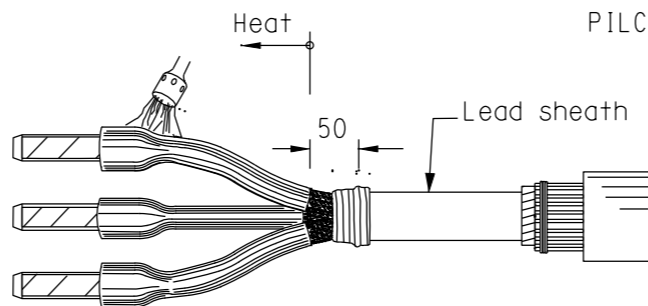


4. PILC - TIE A TEMPORARY TWINE BINDER AROUND THE SCREEN PAPERS AT THE DIMENSION SHOWN IN STEP 3. REMOVE THE SCREEN PAPERS BY UNWINDING AND TEARING CAREFULLY AGAINST THE BINDER. ALSO REMOVE THE 2 TOP LAYERS OF INSULATING PAPERS UP TO THE SCREEN CUT. REMOVE THE TWINE BINDER.

5. PILC - SEPARATE THE CORES CAREFULLY SO AS NOT TO DAMAGE THE SCREEN AND INSULATION PAPERS. SLIDE THE CLEAR BARRIER TUBINGS OVER THE CORES POSITIONING THEM 30mm FROM THE LEAD SHEATH. SHRINK DOWN ALL THREE TUBINGS STARTING AT THE CRUTCH AND WORKING TOWARDS THE CABLE ENDS. ENSURE THE TUBINGS ARE SHRUNK EVENLY AND ARE FREE FROM AIR OR GREASE POCKETS.

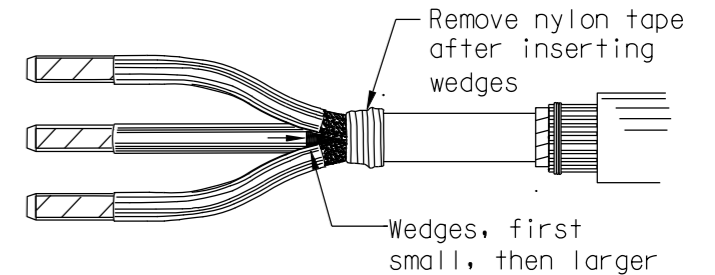


6. PILC - CLEAN THE CLEAR TUBINGS. SLIDE THE BLACK CONDUCTIVE TUBINGS OVER THE CORES POSITIONING THEM 50mm FROM THE LEAD SHEATH. SHRINK DOWN ALL THREE TUBINGS STARTING AT THE CRUTCH AND WORKING TOWARDS THE CABLE END.

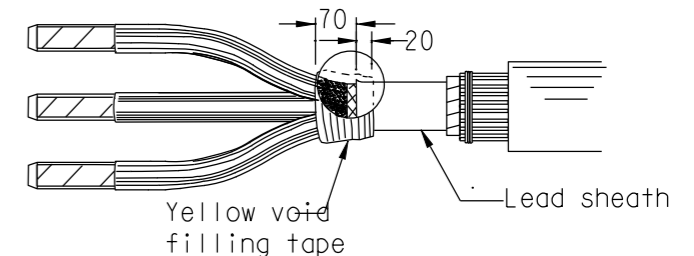


7. PILC - TAKE BOTH WEDGES AND, USING THE TOOL PROVIDED, PUSH THE SMALL WEDGE FIRST, THEN THE LARGER WEDGE, WELL INTO THE CRUTCH AREA. REMOVE THE NYLON TAPE.

CLEAN AND DEGREASE THE CORES.

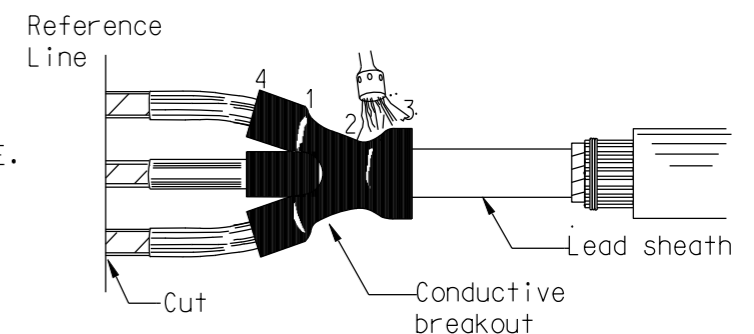


8. PILC - REMOVE THE PRINTED RELEASE PAPER FROM THE LONG YELLOW VOID FILLING TAPE AND ROLL UP THE TAPE. APPLY THE TAPE WITH A 50% OVERLAP, STRETCHING IT TO ABOUT HALF ITS ORIGINAL WIDTH, TO THE OUTSIDE OF THE CRUTCH AREA AS SHOWN. START 20mm ONTO THE LEAD SHEATH AND CONTINUE FOR 70mm ONTO THE CORES UNTIL A CONE SHAPE IS FORMED.



9. PILC - PASS THE CONDUCTIVE BREAKOUT OVER THE CORES PULLING IT WELL DOWN INTO THE CRUTCH. SHRINK INTO PLACE STARTING AT THE CENTRE AND WORKING TOWARDS THE LEAD SHEATH THEN SHRINK THE TURRETS ONTO THE CORES - THE NUMBERS ON THE DIAGRAM SHOW THE SEQUENCE.

CUT THE PILC CORES AT THE REFERENCE LINE. CLEAN AND TEMPORARILY COVER WITH PLASTIC WRAP.



NO	DESCRIPTION	DRN	DATE	CKD	APPD
1	SUPERSEDED	A.T.	DEC'12	B.C.	B.C.
AMENDMENTS					

PowerWater
NORTHERN TERRITORY

DES	JEH/ICV 11/96	POWER STANDARD DRAWING		
DRN	R. INNES	CABLE JOINTING & TERMINATIONS		
CKD	-	RAYCHEM JOINTING INSTRUCTIONS		
APPD	F. ROBSON	22kV 3C 240sq.mm SCREENED PILC		
SCALE	NO SCALE	TO 22kV 1C 240sq.mm Cu XLPE		
ISSUED	MAY'98	A3	DRAWING NUMBER	S02-2-2-43 SHEET 1 of 3
ALL DIM.	IN mm			
DRAFTING STANDARD TO A.S.1100		CAD PRODUCT - DO NOT AMEND MANUALLY		

