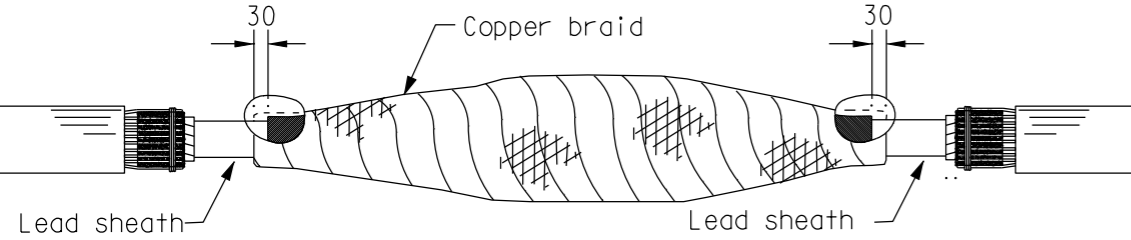


16. RE-LAY THE CORES AS CLOSE TOGETHER AS POSSIBLE. WRAP ONE HALF LAPPED LAYER OF COPPER BRAID AROUND ALL THREE CORES COVERING 30mm OF LEAD SHEATH AT EACH END.

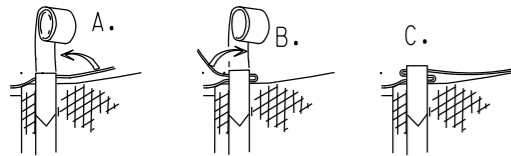
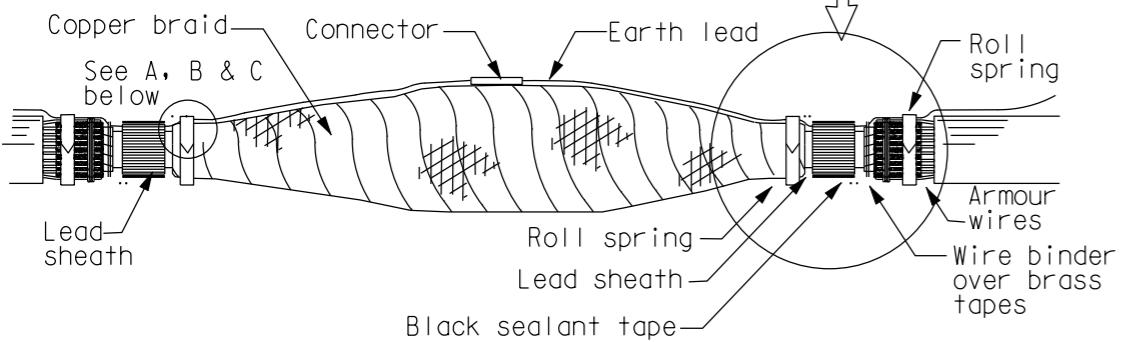
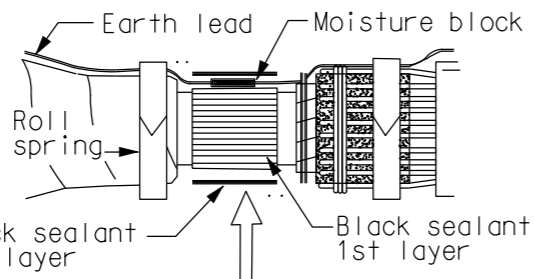


17. WRAP ONE LAYER OF BLACK SEALANT TAPE AROUND THE LEAD SHEATH AT ONE END CLOSE TO THE BRASS TAPES. DEGREASE AND CLEAN THE ARMOUR AND BRASS TAPES. POSITION THE EARTH LEAD OVER THE BRASS TAPES AND ARMOUR SO THAT THE MOISTURE BLOCK IS CENTRED OVER THE BLACK SEALANT TAPE. WRAP A ROLLSPRING OVER THE EARTH LEAD AND ARMOUR AND TWIST IT TIGHTLY. WIRE BIND AROUND THE EARTH LEAD AND BRASS TAPES.

PLACE THE REMAINING EARTH LEAD OVER THE COPPER BRAID. AT A POSITION CLOSE TO THE END OF THE BRAID, WRAP A ROLL SPRING TWICE OVER THE EARTH LEAD IN THE DIRECTION OF THE COPPER BRAID WRAP. FOLD THE EARTH LEAD BACK OVER THE ROLL SPRING, APPLY 2 FURTHER TURNS OF THE ROLL SPRING. AGAIN FOLD THE EARTH LEAD BACK OVER THE ROLL SPRING AND THEN COMPLETE THE ROLL SPRING. TIGHTEN THE ROLL SPRING BY TWISTING. REFER A, B & C BELOW

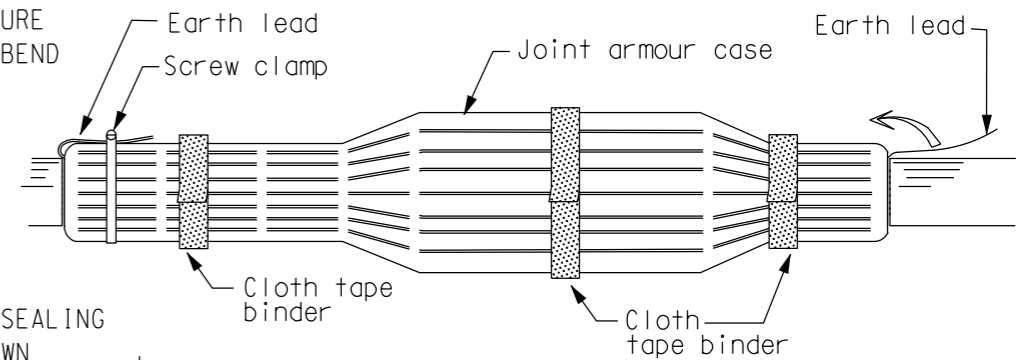
COVER THE SHARP EDGES OF THE ROLL SPRING WITH INSULATING TAPE. WRAP A SECOND LAYER OF BLACK SEALANT TAPE OVER THE FIRST COVERING THE EARTH LEAD.

FIX THE OTHER EARTH LEAD AT THE OTHER END BY THE SAME METHOD AND JOIN TOGETHER BY CRIMPING OR SOLDERING.

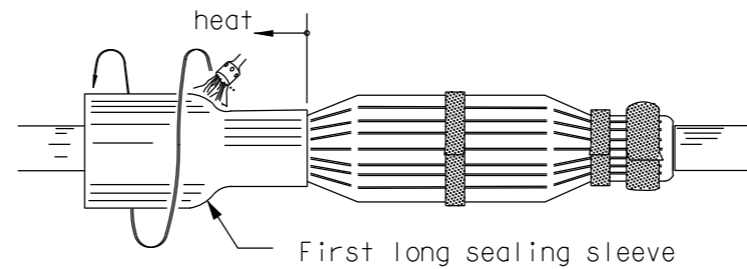


NOTE: RACHEM MAY SUPPLY ADDITIONAL LEADS TO MEET FAULT LEVEL

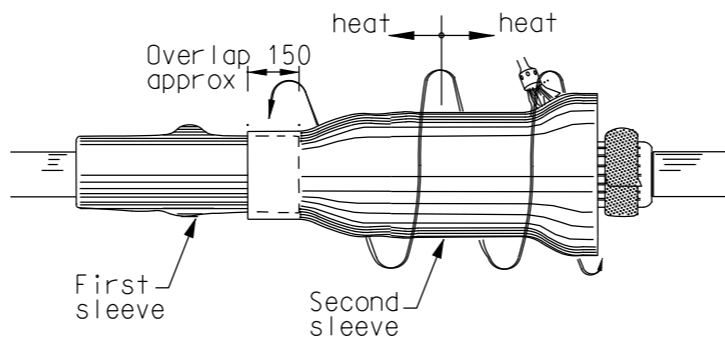
18. WRAP THE ARMOUR CASE AROUND THE JOINT AND SECURE WITH ABOUT 4 LAYERS OF CLOTH TAPE AS SHOWN. BEND THE REMAINING EARTH LEADS BACK OVER THE CASE. CLAMP THE EARTH LEAD AND ENDS OF THE ARMOUR CASE TO THE ARMOUR WIRES WITH SCREW CLAMPS. COVER THE SHARP EDGES OF THE CLAMPS BY FASTENING A PIECE OF OUTER SHEATH OVER THE SCREW WITH THE REMAINING CLOTH TAPE.



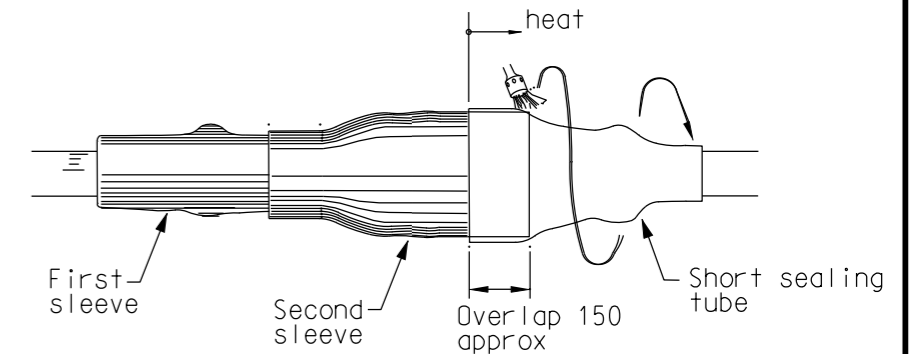
19. REMOVE THE RELEASE PAPER FROM THE FIRST LONG SEALING SLEEVE, POSITION IT AS SHOWN AND SHRINK IT DOWN STARTING NEAR THE CENTRE OF THE JOINT AND WORKING TOWARDS THE CABLE.



20. REMOVE THE RELEASE PAPER FROM THE SECOND LONG SEALING SLEEVE, POSITION IT AS SHOWN AND SHRINK IT DOWN STARTING AT THE CENTRE OF THE SLEEVE AND WORKING TOWARDS THE ENDS AS SHOWN.



21. REMOVE THE RELEASE PAPER FROM THE SHORT SEALING SLEEVE, POSITION IT OVER THE SHORT END AS SHOWN AND SHRINK IT DOWN STARTING NEAR THE CENTRE OF THE JOINT AND WORKING TOWARDS THE CABLE.



22. ALLOW THE JOINT TO COOL BEFORE APPLYING ANY MECHANICAL STRAIN.

23. APPLY TERMIMESH AS SHOWN IN DRAWING S2-2-2-22  
TERMIMESH SIZE: 2200 X W  
WHERE W=MAX CIRCUMFERENCE OF JOINT + 90mm

NOTE: AS THERE IS NO NYLON JACKET ON THIS CABLE, THE TERMIMESH IS BOX-PLEATED & CLAMPED TO THE OUTER SHEATH.

RAYCHEM KITS: 25sq.mm EPKJ-24 A/3SB-3SB-W  
120/240sq.mm EPKJ-24 C/3SB-3SB-W

PAWA CABLES: 22kV PILC Drg S2-1-1-1

NO	DESCRIPTION	DRN	DATE	CKD	APPD
1	SUPERSEDED	A.T.	DEC'12	B.C.	B.C.
AMENDMENTS					



DES	JEH, ICV 10/96	POWER STANDARD DRAWING		
DRN	R. INNES	CABLE JOINTING & TERMINATIONS		
CKD	-	RAYCHEM JOINTING INSTRUCTIONS		
APPD	F. ROBSON	22kV 3C 25, 120 & 240sq.mm Cu		
SCALE	NO SCALE	SCREENED PILC		
ISSUED	MAY'98	A3	DRAWING NUMBER	S02-2-2-42 SHEET 3 of 3
ALL DIM.	IN mm			
DRAFTING STANDARD TO A.S.1100		CAD PRODUCT - DO NOT AMEND MANUALLY		

