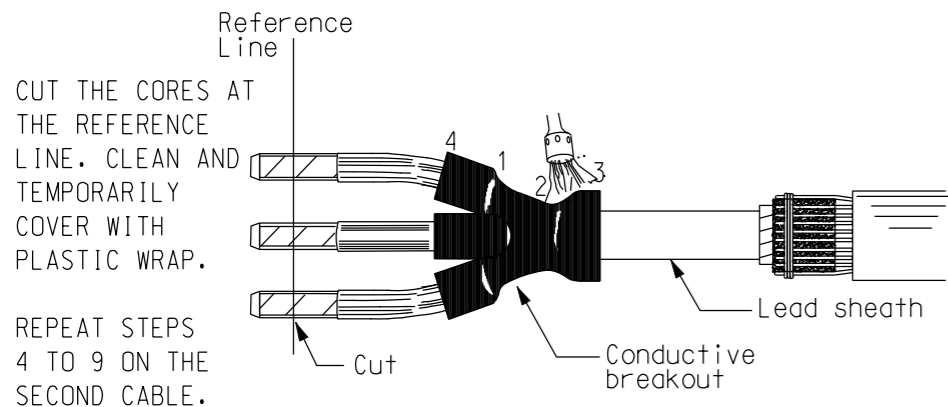
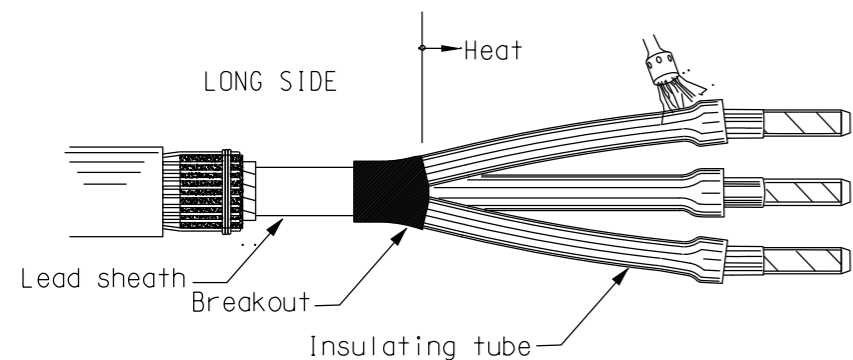


9. PASS THE CONDUCTIVE BREAKOUT OVER THE CORES PULLING IT WELL DOWN INTO THE CRUTCH. SHRINK INTO PLACE STARTING AT THE CENTRE AND WORKING TOWARDS THE LEAD SHEATH THEN SHRINK THE TURRETS ONTO THE CORES - THE NUMBERS ON THE DIAGRAM SHOW THE SEQUENCE.



10. ON THE LONG CORES ONLY - POSITION THE BLACK INSULATING TUBING OVER THE LONG CORES OVERLAPPING THE TURRETS OF THE BREAKOUT. SHRINK DOWN ALL 3 STARTING AT THE BREAKOUT AND WORKING TOWARDS THE CORE ENDS. CLEAN THE LONG CORES.

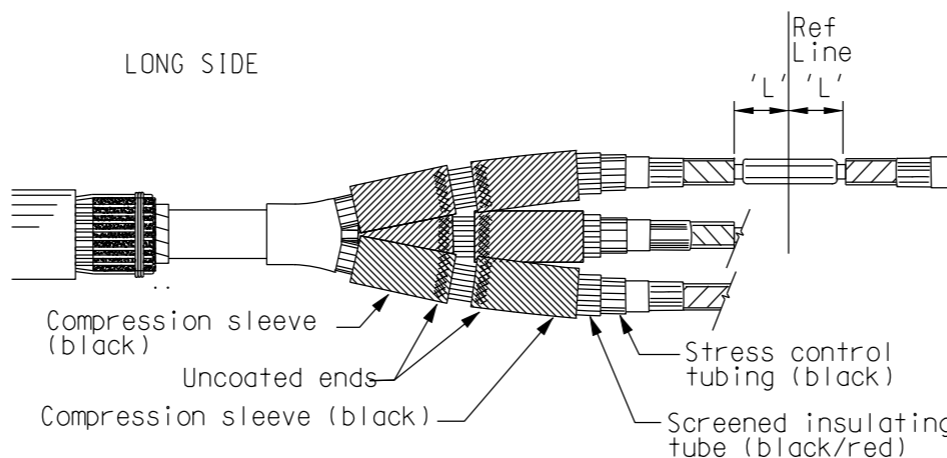


11. SLIDE A COMBINED TUBING SET OVER EACH LONG CORE.
NOTE: POSITION THE COMPRESSION SLEEVES SO THAT THE UNCOATED ENDS ARE NEXT TO EACH OTHER.

REMOVE INSULATION ON ALL CORES TO A DISTANCE OF $L + 5\text{mm}$ WHERE L = DEPTH OF CONNECTOR HOLE.

NOTE:	MAX CONNECTOR LENGTH	MAX DIA
120/240sq.mm	160mm	36mm
25sq.mm	110mm	20mm

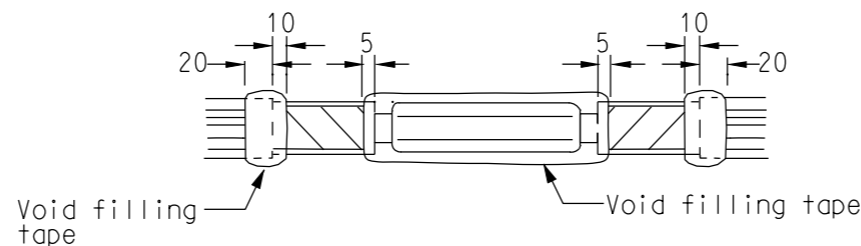
11. ..cont
WET WIRE BRUSH THE CONDUCTORS (UNDER A LIGHT FILM OF JOINTING COMPOUND). CRIMP CONNECTORS WITH THE APPROPRIATE DIE, REMOVE SHARP EDGES AND THOROUGHLY CLEAN OFF EXCESS GREASE FROM CONNECTOR AND CORE INSULATION - THEN DON'T TOUCH IT!.



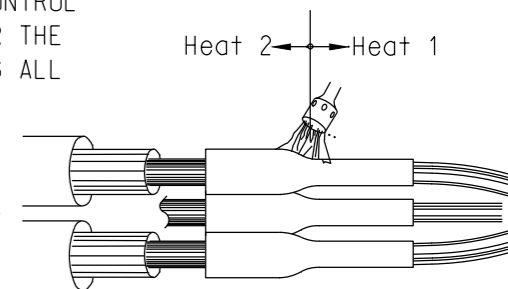
12. WRAP ONE LAYER OF YELLOW VOID FILLING STRIP AROUND THE END OF THE BLACK CONDUCTIVE TUBING OF EACH CORE STARTING 20mm ON THE CONDUCTIVE TUBING AND CONTINUING 10mm ONTO THE CLEAR TUBING. STRETCH TO HALF ITS WIDTH TO ACHIEVE A FINE THIN EDGE ON THE CLEAR TUBING.

REMOVE PRINTED RELEASE PAPER FROM THE YELLOW VOID FILLING TAPE AND ROLL IT UP. APPLY WITH A 50% OVERLAP STRETCHING TO ABOUT HALF ITS ORIGINAL WIDTH. FILL UP THE GAPS AND OVER THE CONNECTOR AREA CONTINUING ONTO THE CLEAR TUBING 5mm MAX.

NOTE: DO NOT USE TOO MUCH VOID FILLER - THE FINAL DIAMETER SHOULD BE ONLY SLIGHTLY GREATER THAN THE CORE OR CONNECTOR DIAMETER, WHICHEVER IS THE LARGER. SLIDE THE STRESS CONTROL TUBE OVER THE COMPLETED CONNECTOR AREA AS PROTECTION BEFORE TAPING THE OTHER CORES.



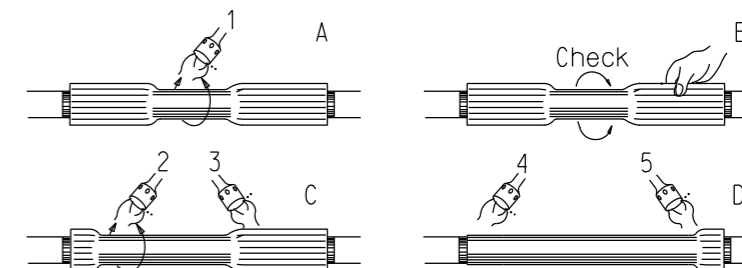
13. POSITION THE STRESS CONTROL TUBINGS CENTRALLY OVER THE JOINT. START SHRINKING ALL 3 DOWN IN THE CENTRE WORKING TOWARDS THE ENDS. WHEN COMPLETED THEY SHOULD BE WRINKLE FREE.



NOTE: TAKE CARE NOT TO ACCIDENTALLY SHRINK THE OTHER PARKED TUBINGS.

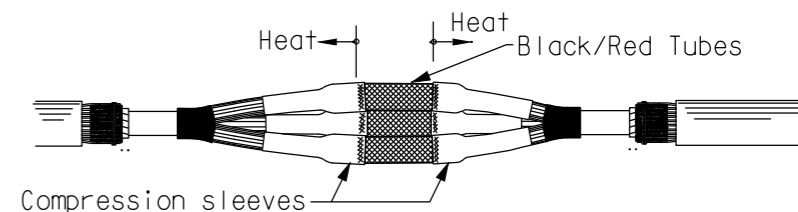
14. POSITION THE 3 BLACK/RED SCREENED INSULATING TUBINGS CENTRALLY OVER THE STRESS CONTROL TUBES.
-START SHRINKING IN THE CENTRE (1). CHECK FULLY SHRUNK BY TWISTING THE ENDS; THE TUBES SHOULD NOT MOVE.
-CONTINUE SHRINKING TOWARDS ONE END (2), STOPPING 50mm BEFORE THE END. THEN SIMILARLY SHRINK TOWARDS THE OTHER END (3).
-SHRINK DOWN THE FIRST END (4) THEN THE SECOND (5).

THE SLEEVES SHOULD BE FULLY SHRUNK WITHOUT LEAVING RIDGES.



15. POSITION THE COMPRESSION SLEEVES OVER THE SHORT CORES SO THAT THEY COVER THE TURRETS OF THE BREAKOUT AND WITH THE UNCOATED ENDS TOWARD THE CENTRE OF THE JOINT. SHRINK ALL THREE, STARTING AT THE CONNECTOR AREA WORKING TOWARDS THE BREAKOUT.

POSITION THE COMPRESSION SLEEVES OVER THE LONG CORES OVERLAPPING EQUALLY THE JOINT AND THE CORES AND WITH THE UNCOATED ENDS TOWARD THE CENTRE OF THE JOINT. SHRINK ALL THREE, STARTING AT THE CENTRE OF THE JOINT WORKING TOWARDS THE BREAKOUT.



NO	DESCRIPTION	DRN	DATE	CKD	APPD
1	SUPERSEDED	A.T.	DEC'12	B.C.	B.C.
AMENDMENTS					

PowerWater
NORTHERN TERRITORY

DES	JEH ICV 10'96	POWER STANDARD DRAWING		
DRN	R. INNES	CABLE JOINTING & TERMINATIONS		
CKD	-	RAYCHEM JOINTING INSTRUCTIONS		
APPD	F. ROBSON	22kV 3C 25, 120 & 240sq.mm Cu		
SCALE	NO SCALE	SCREENED PILC		
ISSUED	MAY'98	A3	DRAWING NUMBER	S02-2-2-41 SHEET 2 of 3
ALL DIM.	IN mm			
DRAFTING STANDARD TO A.S.1100		CAD PRODUCT - DO NOT AMEND MANUALLY		AMDT