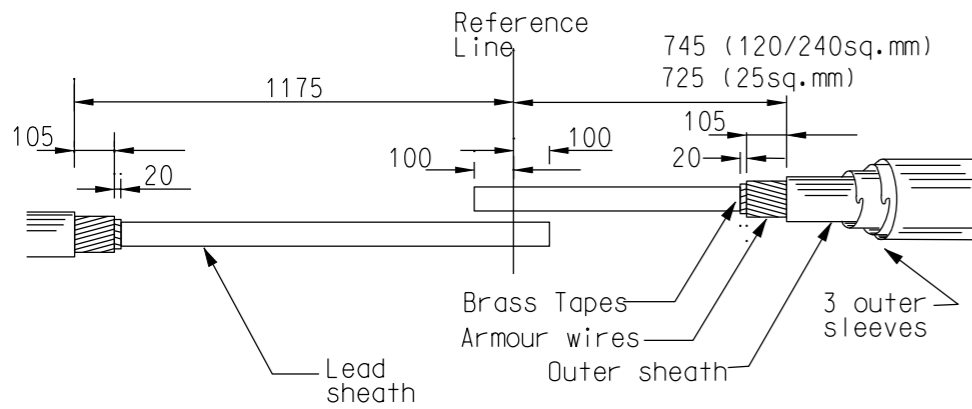
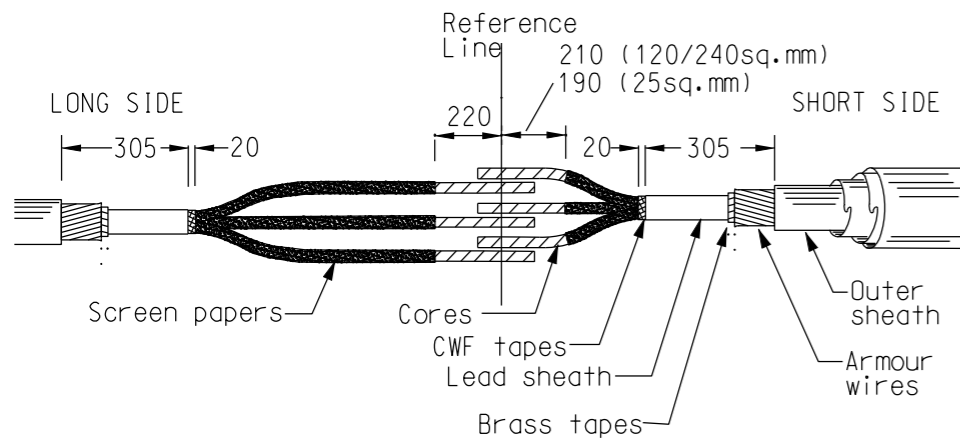


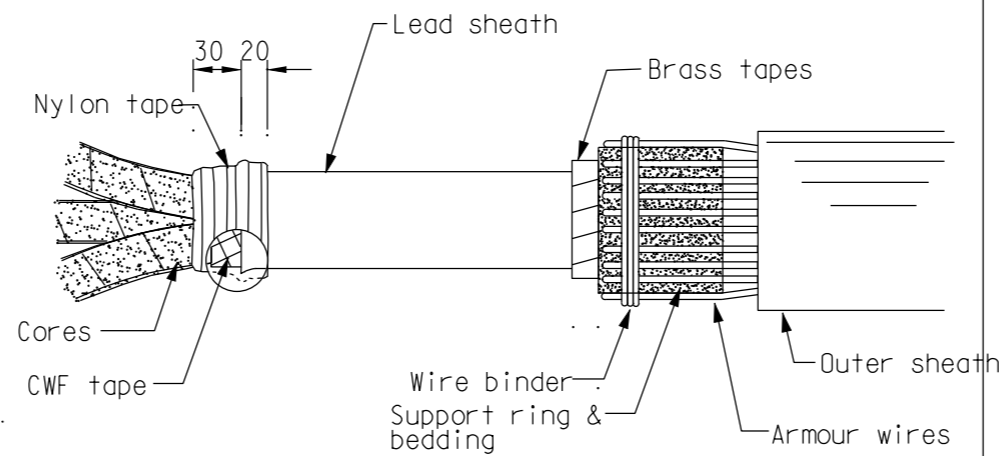
1. OVERLAP PILC CABLES ABOUT 200mm AND MARK REFERENCE LINE AT CENTRE OF OVERLAP. COVER THE CABLES WITH PLASTIC WRAP 1.8m EACH SIDE OF REF LINE. SLIDE THE 3 OUTER SLEEVES OVER ONE CABLE END. REMOVE OUTER SHEATH, ARMOUR AND BRASS TAPES TO THE DIMENSIONS SHOWN. CLEAN AND DEGREASE LEAD SHEATH AND ARMOUR. RE-MARK THE REF LINE ON THE LEAD SHEATH.



2. REMOVE LEAD SHEATHS TO THE DIMENSIONS SHOWN, FORMING A SLIGHT BELL. TAKE CARE NOT TO DAMAGE THE UNDERLYING CORE SCREEN PAPERS. UNWIND THE COPPER WOVEN FABRIC (CWF) TAPE BACK TO THE LEAD SHEATH AND REMOVE FILLERS FROM BETWEEN THE CORES. REWIND THE CWF TAPE AROUND THE CORES AT THE CRUTCH TO THE DIMENSION SHOWN AND TIE OFF. RE-MARK THE REF LINE ON THE CORES.

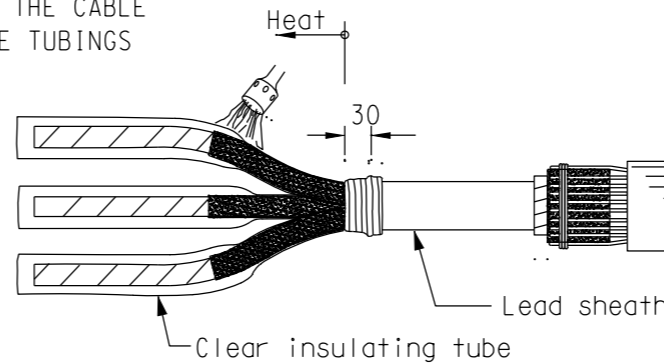


3. LIFT THE ARMOUR WIRES AND SLIDE THE SUPPORT RINGS UNDERNEATH AS SHOWN IN THE DETAIL. BUILD UP A BEDDING UNDER THE SUPPORT RING WITH A PIECE OF OUTER SHEATH. THOROUGHLY CLEAN THE ARMOUR WIRES AND SECURE THE ENDS WITH A WIRE BINDER. (BOTH CABLE ENDS.) PROTECT CWF TAPE BY APPLYING NYLON TAPE WITH TENSION STARTING 20mm ONTO THE LEAD SHEATH AND ENDING 30mm ON THE CORES. (BOTH CABLE ENDS.)

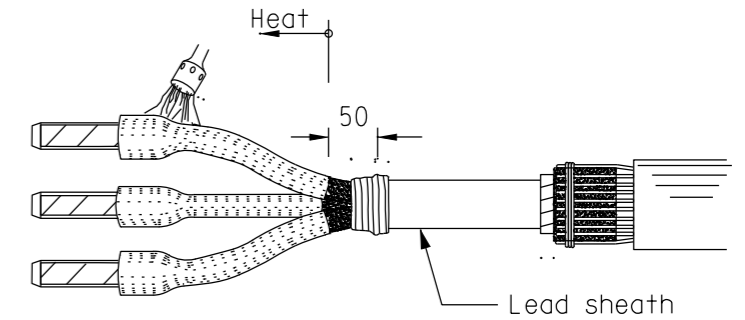


4. STARTING ON ONE CABLE, TIE A TEMPORARY TWINE BINDER AROUND THE SCREEN PAPERS AT THE DIMENSIONS SHOWN IN STEP 2. REMOVE THE SCREEN PAPERS BY UNWINDING AND TEARING CAREFULLY AGAINST THE BINDER. ALSO REMOVE THE 2 TOP LAYERS OF INSULATING PAPERS UP TO THE SCREEN CUT. REMOVE THE TWINE BINDER.

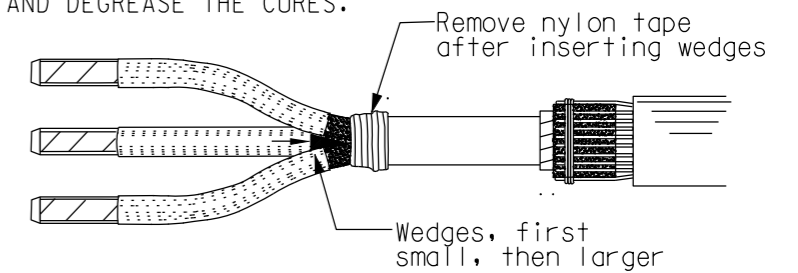
5. SEPARATE THE CORES CAREFULLY SO AS NOT TO DAMAGE THE SCREEN AND INSULATION PAPERS. SLIDE THE CLEAR BARRIER TUBINGS OVER THE CORES POSITIONING THEM 30mm FROM THE LEAD SHEATH. SHRINK DOWN ALL THREE TUBINGS STARTING AT THE CRUTCH AND WORKING TOWARDS THE CABLE ENDS. ENSURE THE TUBINGS ARE SHRUNK EVENLY AND ARE FREE FROM AIR OR GREASE POCKETS.



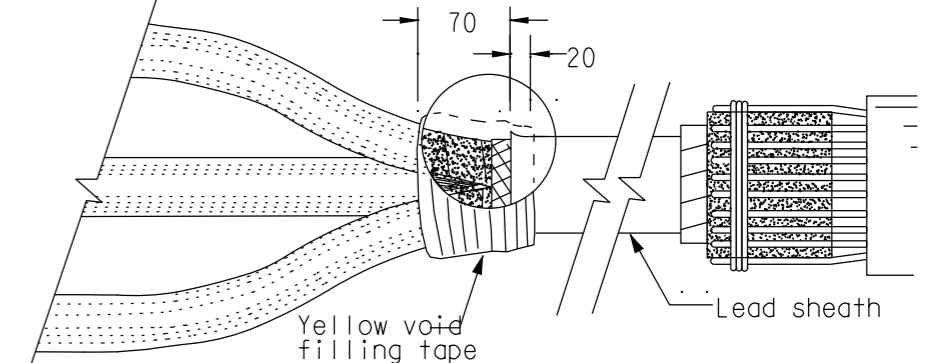
6. CLEAN THE CLEAR TUBINGS. SLIDE THE BLACK CONDUCTIVE TUBINGS OVER THE CORES POSITIONING THEM 50mm FROM THE LEAD SHEATH. SHRINK DOWN ALL THREE TUBINGS STARTING AT THE CRUTCH AND WORKING TOWARDS THE CABLE ENDS. NOTE: SHORT AND LONG TUBINGS RELATE TO THE SHORT AND LONG CORES.



7. TAKE BOTH WEDGES AND, USING THE TOOL PROVIDED, PUSH THE SMALL WEDGE FIRST, THEN THE LARGER WEDGE, WELL INTO THE CRUTCH AREA. REMOVE THE NYLON TAPE. CLEAN AND DEGREASE THE CORES.



8. REMOVE THE PRINTED RELEASE PAPER FROM THE LONG YELLOW VOID FILLING TAPE AND ROLL UP THE TAPE. APPLY THE TAPE WITH A 50% OVERLAP, STRETCHING IT TO ABOUT HALF ITS ORIGINAL WIDTH, TO THE OUTSIDE OF THE CRUTCH AREA AS SHOWN. START 20mm ONTO THE LEAD SHEATH AND CONTINUE FOR 70mm ONTO THE CORES UNTIL A CONE SHAPE IS FORMED.



NO	DESCRIPTION	DRN	DATE	CKD	APPD
1	SUPERSEDED	A.T.	DEC'12	B.C.	B.C.
AMENDMENTS					

PowerWater
NORTHERN TERRITORY

DES	JEH / ICV 10/96
DRN	R. INNES
CKD	-
APPD	F. ROBSON
SCALE	NO SCALE
ISSUED	JUL '98
ALL DIM.	IN mm
DRAFTING STANDARD TO A.S.1100	

POWER STANDARD DRAWING	
CABLE JOINTING & TERMINATIONS RAYCHEM JOINTING INSTRUCTIONS	
22kV 3C 25, 120 & 240sq.mm Cu SCREENED PILC	
A3	DRAWING NUMBER S02-2-2-40 SHEET 1 of 3
CAD PRODUCT - DO NOT AMEND MANUALLY	

