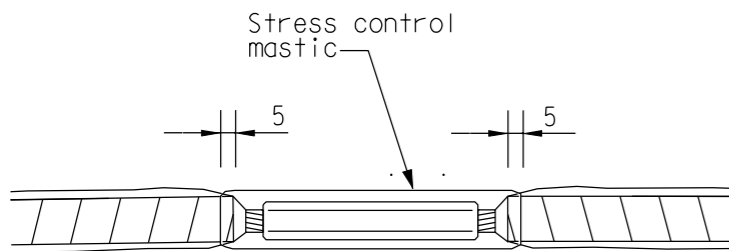
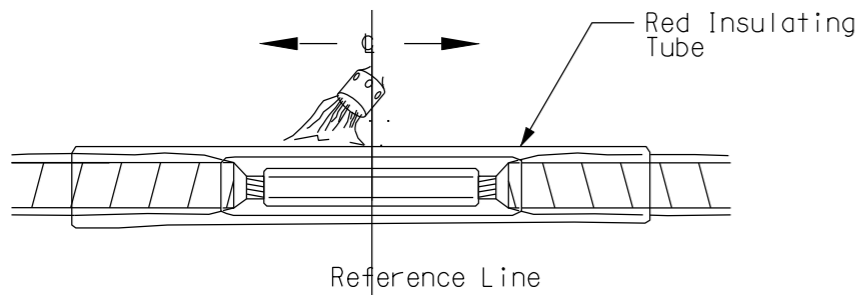


8. REMOVE THE RELEASE PAPER FROM ONE SIDE OF THE YELLOW STRESS CONTROL MASTIC AND ROLL IT UP. WRAP IT AROUND THE CONNECTOR WITH A 50% OVERLAP STRETCHING TO ABOUT HALF ITS WIDTH. FILL THE ENDS OF THE CONNECTOR ENDING 5mm ON TO THE CABLE INSULATION.

NOTE: THE FINAL DIAMETER SHOULD BE ONLY SLIGHTLY GREATER THAN THE CORE INSULATION OR THE CONNECTOR (WHICHEVER IS LARGER). IF THE CONNECTOR DIAMETER IS LARGER THAN THE INSULATION DIAMETER THEN ONLY ONE THIN LAYER OF MASTIC IS REQUIRED.

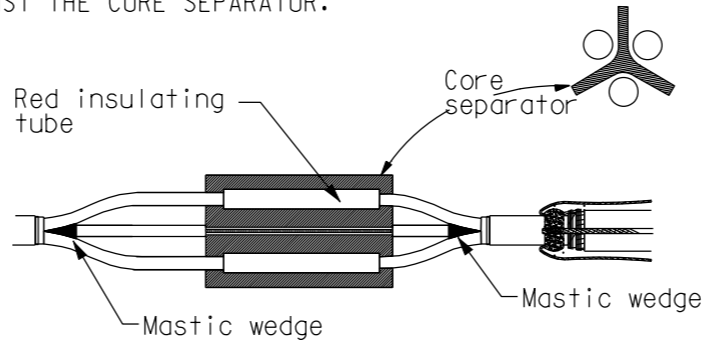


POSITION THE RED INSULATION TUBE CENTRALLY OVER THE COMPLETED CONNECTOR AREA BEFORE PROCEEDING TO REMAINING CORES. SHRINK DOWN THE 3 RED TUBINGS TOGETHER, STARTING AT THE CENTRE AND WORKING TOWARDS ONE END, THEN THE OTHER. ENSURE THAT THEY ARE FULLY SHRUNK AND FREE FROM WRINKLES.



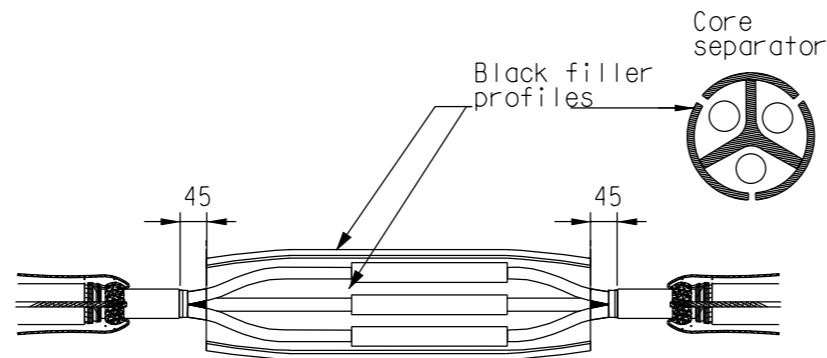
9. REMOVE COTTON TAPE FROM CRUTCH OF BOTH CABLES. INSERT THE YELLOW CRUTCH FILLER WEDGE AS SHOWN ON DRAWING. PUSH WEDGE CAREFULLY INTO THE CRUTCH UNTIL THE TIP IS JUST BELOW THE BELT PAPERS. THE WEDGE WILL DEFORM AND PARTLY EXUDE BETWEEN THE CORES.

REMOVE THE RELEASE PAPER FROM THE CORE SEPARATOR PROFILE. INSERT AND CENTRE THE PROFILE BETWEEN THE RED TUBINGS. SQUEEZE THE CORES TOGETHER UNTIL THE RED TUBES REST AGAINST THE CORE SEPARATOR.



10. REMOVE THE RELEASE PAPER FROM THE BLACK FILLER PROFILES. APPLY 3 PROFILES AT THE SPACES BETWEEN THE CORES WITH THE LARGE ANGLE AGAINST THE JOINT - POSITION THE PROFILES 45mm FROM THE LEAD SHEATHS, LAYING THEM ALONG THE JOINT AND PUSHING THEM DOWN INTO THE SPACES.

FOR CROSSED CORES, CUT THE 4TH PROFILE TO LENGTH AND FILL ANY SPACES BETWEEN AND AROUND THE CROSSED CORES.

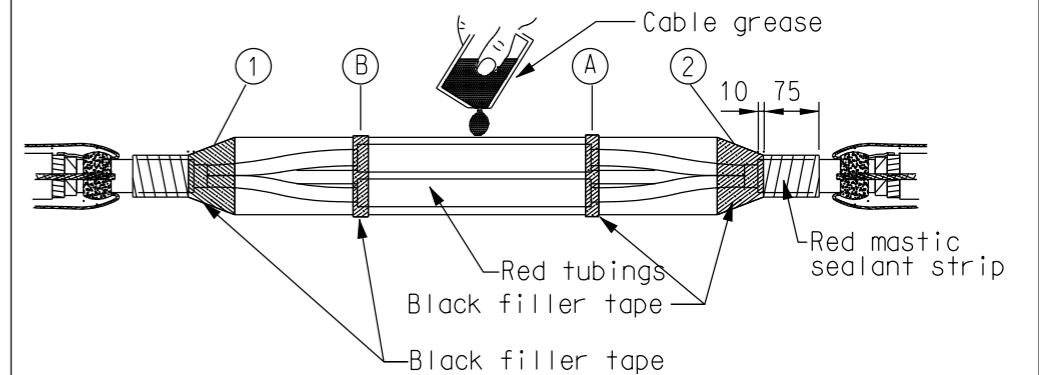


11. REMOVE RELEASE PAPER FROM THE BLACK FILLER TAPE AND APPLY ONE TURN (STRETCHING TO HALF ITS WIDTH) AROUND THE JOINT AT EACH END OF THE RED TUBING - REFER DIAGRAM POSITIONS 'A' AND 'B'.

AT POSITIONS 1 & 2, APPLY HALF LAPPED LAYERS OF BLACK FILLER TAPE STARTING 10mm ONTO THE LEAD SHEATH BUILDING UP A SMOOTH TRANSITION TO THE BLACK FILLER PROFILES.

CLEAN AND DEGREASE THE LEAD SHEATHS. REMOVE RELEASE PAPER FROM THE RED MASTIC SEALANT STRIP AND APPLY ONE LAYER WITH A SMALL OVERLAP OVER 75mm OF THE LEAD SHEATH STARTING AT THE BLACK FILLER TAPE.

LUBRICATE THE JOINT SURFACE (ESPECIALLY AT THE LARGE DIAMETER) WITH A THIN FILM OF THE CABLE GREASE SUPPLIED.



NO	DESCRIPTION	DRN	DATE	CKD	APPD
1	SUPERSEDED	A.T.	DEC'12	B.C.	B.C.
AMENDMENTS					

PowerWater
NORTHERN TERRITORY

DES	JEH/ICV 09/96	POWER STANDARD DRAWING		
DRN	R. INNES	CABLE JOINTING & TERMINATIONS		
CKD	-	RAYCHEM JOINTING INSTRUCTIONS		
APPD	F. ROBSON	11kV 3C. 50 & 185sq.mm Cu		
SCALE	NO SCALE	BELTED PILC		
ISSUED	MAY'98	A3	DRAWING NUMBER	S02-2-2-38 SHEET 2 of 3
ALL DIM.	IN mm			
DRAFTING STANDARD TO A.S.1100		CAD PRODUCT - DO NOT AMEND MANUALLY		

