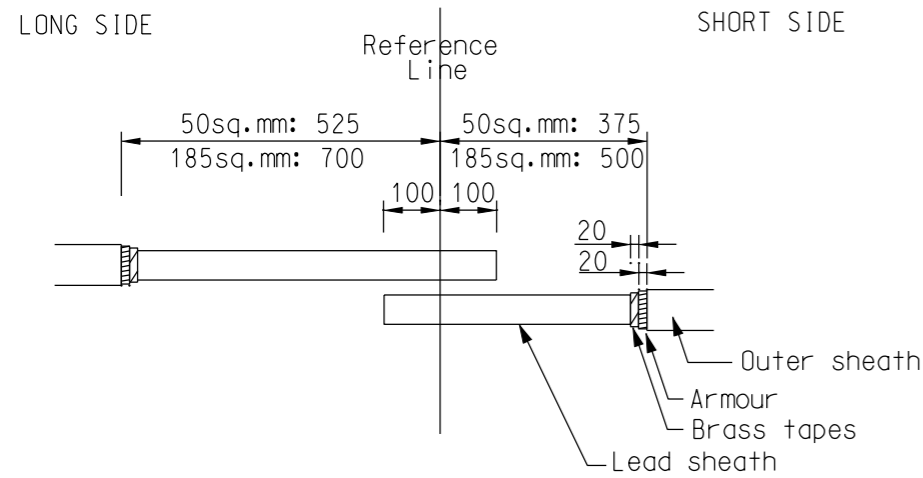
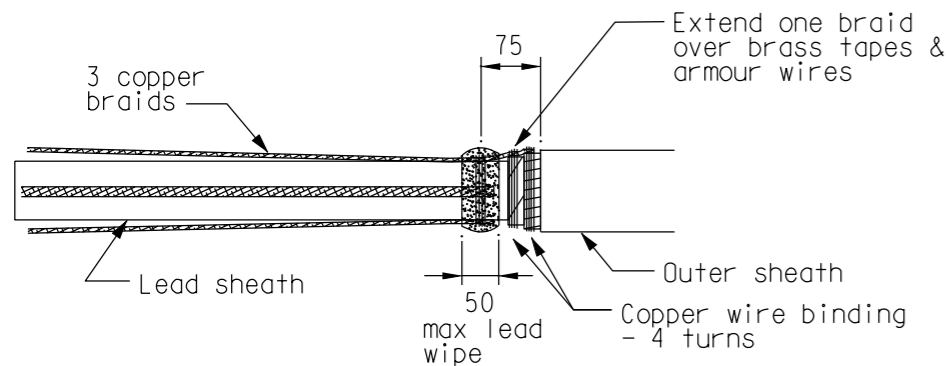


- OVERLAP PILC CABLES 200mm. REMOVE OUTER SHEATH, ARMOUR AND BRASS TAPES TO THE DIMENSIONS SHOWN. MARK CENTRE OF OVERLAP AS A REFERENCE LINE AND COVER CABLES WITH PLASTIC WRAP 1.8m EACH SIDE OF REF LINE.

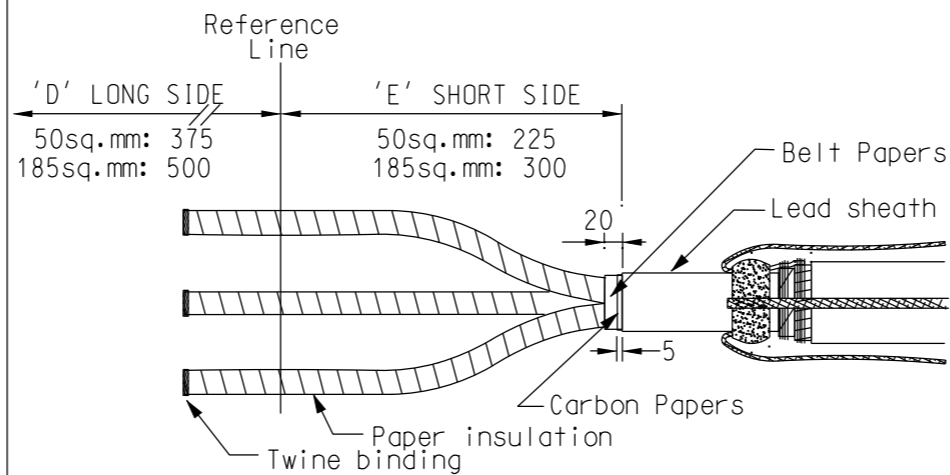


- STARTING ON ONE CABLE, CLEAN LEAD SHEATH, BRASS TAPES AND ARMOUR. CUT EARTH BRAIDS IN HALF AND POSITION AS SHOWN. BIND TO LEAD SHEATH, BRASS TAPES AND ARMOUR WITH COPPER WIRE. SOLDER TO LEAD SHEATH AND BRASS TAPES. PLUMB BRAIDS TO LEAD SHEATH. DO NOT OVERHEAT THE LEAD SHEATH. FOLD BRAIDS BACK ALONG CABLE AND TEMPORARILY TAPE IN POSITION.



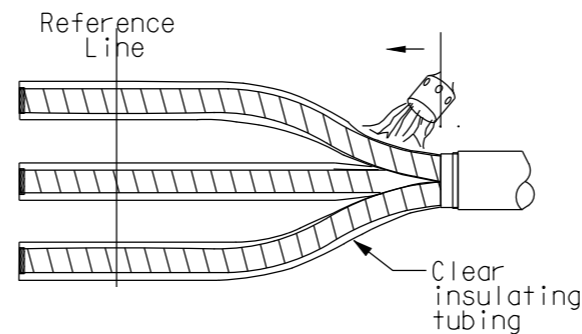
PAWA Cables: 11kV 50sq.mm CU PILCS2-1-1-4
11kV 185sq.mm CU PILCS2-1-1-4

- REMOVE LEAD SHEATH TO DIMENSION 'D' (LONG SIDE) OR 'E' (SHORT SIDE). DO NOT DAMAGE THE UNDERLYING BELT PAPERS. UNWIND AND TEAR OFF CARBON PAPER AGAINST A TWINE BINDER 5mm FROM LEAD SHEATH. UNWIND AND TEAR OFF BELT PAPERS AGAINST A TWINE BINDER 20mm FROM LEAD SHEATH. REMOVE FILLERS LEVEL WITH BELT PAPERS. BIND THE INSULATING PAPERS AT THE ENDS OF THE CORES WITH A FEW TURNS OF TWINE.



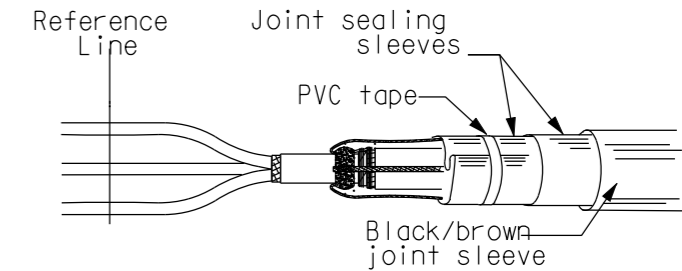
- SLIDE THE CLEAR INSULATING TUBINGS OVER THE CORES PUSHING THEM AS FAR INTO THE CRUTCH AS POSSIBLE. SHRINK DOWN EVENLY STARTING AT THE CRUTCH AND WORKING TOWARDS THE CORE ENDS. ENSURE THERE ARE NO POCKETS OF TRAPPED AIR OR GREASE. BEFORE BENDING OR SETTING THE CORES PROTECT THE CRUTCH WITH COTTON TAPE (WHICH IS REMOVED AT STEP 9).

CAREFULLY MARK THE REFERENCE LINE ON THE CORES. TEMPORARILY PROTECT THE PREPARED CORES FROM DIRT WITH PLASTIC WRAP.



REPEAT STEPS 2 - 4 ON THE SECOND CABLE

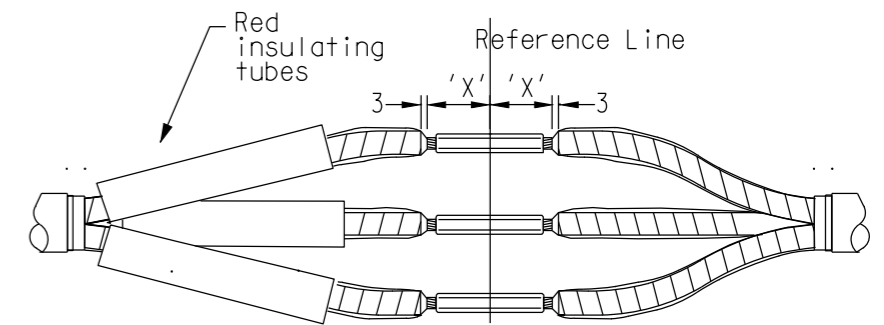
- PILC - SLIDE ONE OF THE JOINT SEALING SLEEVES OVER THE ALREADY PROTECTED CABLE. FOLD AROUND CABLE AND TAPE IN POSITION. SLIDE THE SECOND JOINT SEALING SLEEVE OVER THE FIRST AND THEN THE BLACK/BROWN JOINT SLEEVE OVER THE OTHERS (LEAVE IT IN ITS PROTECTIVE SLEEVE).



- POSITION THE CORES AND CUT THEM TO BUTT AT THE REFERENCE LINE (REFER STEP 1 FOR DIMENSIONS). CLEAN THE CORES AND SLIDE ONE RED INSULATING TUBE OVER EACH OF THE LONG CORES.
- REMOVE INSULATION FROM CONDUCTORS FOR A DISTANCE 'X' EQUAL TO HALF THE CONNECTOR LENGTH + 5mm. CUT A 3mm MAX BEVEL ON THE INSULATION ENDS.
NOTE: - MAX CONNECTOR LENGTH
50sq.mm: 70
185sq.mm: 130

WET WIRE BRUSH (ie UNDER A LIGHT FILM OF JOINTING COMPOUND) THE CONDUCTORS. CRIMP THE CONNECTORS WITH THE APPROPRIATE DIE, REMOVE BURRS AND THOROUGHLY CLEAN OFF EXCESS GREASE FROM CONNECTOR AND CABLE INSULATION.

THOROUGHLY CLEAN THE CABLE INSULATION (REFER INSTRUCTION ON DWG S2-2-2-20). DON'T HANDLE THE INSULATION FROM NOW ON!



Raychem kits: 50sq.mm EFSJ-11-A
185sq.mm EFSJ-11-C

NO	DESCRIPTION	DRN	DATE	CKD	APPD
1	SUPERSEDED	A.T.	DEC'12	B.C.	B.C.
AMENDMENTS					

PowerWater
NORTHERN TERRITORY

DES	JEH/ICV 09/96	POWER STANDARD DRAWING		
DRN	R. INNES	CABLE JOINTING & TERMINATIONS		
CKD	-	RAYCHEM JOINTING INSTRUCTIONS		
APPD	F. ROBSON	11kV 3C. 50 & 185sq.mm Cu		
SCALE	NO SCALE	BELTED PILC.		
ISSUED	MAY'98	A3	DRAWING NUMBER	S02-2-2-37 SHEET 1 of 3
ALL DIM. IN	mm			
DRAFTING STANDARD TO A.S.1100		CAD PRODUCT - DO NOT AMEND MANUALLY		

