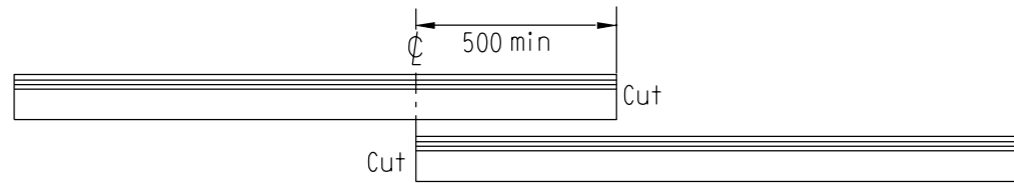
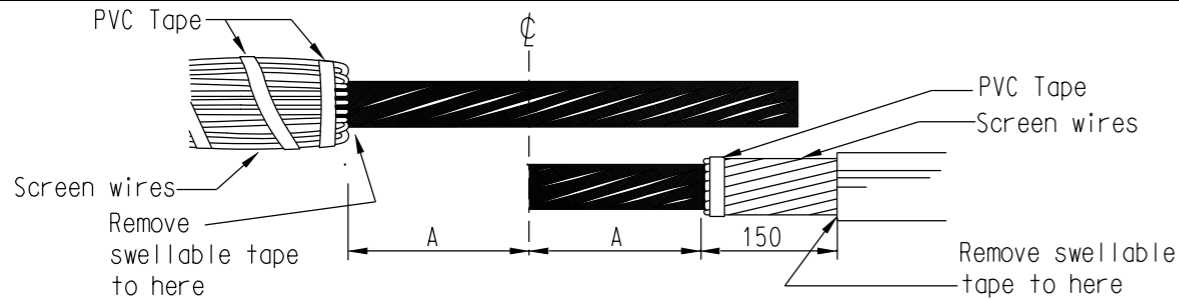


STEP 1



OVERLAP CABLES BY 500mm MINIMUM, MARK CENTRE LINE AND CUT AS PER DIAGRAM. CLEAN CABLE SURFACES AND COVER WITH PLASTIC WRAP ABOUT 1.5m EACH SIDE OF THE CENTRE LINE.

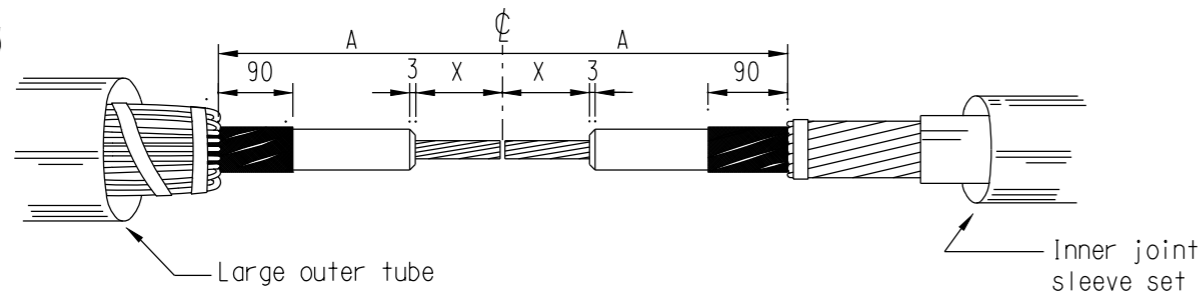
STEP 2



CABLE	35 sq.mm 11kV	400 sq.mm 11kV	95 sq.mm 11kV 35 sq.mm 22kV	240 sq.mm 11kV 120 sq.mm 22kV	240 sq.mm 22kV
CONNECTOR	110/22	250/42	11kV 140/29	11kV 250/42	
MAX LENGTH/DIA			22kV 140/22	22kV 180/36	
DIM A mm	240	290	290	290	
TERMIMESH SIZE	1000 x 250	1000 x 300	1000 x 280	1000 x 310	

REMOVE OUTER SHEATH, NYLON AND INNER SHEATH TO A DISTANCE 'A' FROM THE CENTRE LINE OF THE LH CABLE, AND 'A' + 150mm FROM THE CENTRE LINE OF THE RH CABLE. BEND BACK THE LONG SCREEN WIRES OF THE LH CABLE AND SECURE WITH A SPIRAL WRAP OF PVC TAPE. DON'T TAPE THE BEND DOWN - IT WON'T STRAIGHTEN EASILY LATER. REMOVE WATER SWELLABLE TAPE. ON THE RH CABLE MARK THE SCREEN WIRES WITH A TEXTA AT A DISTANCE 'A' FROM THE CENTRE LINE AND CUT THE WIRES WITH SIDE CUTTERS. REMOVE WATER SWELLABLE TAPE. PVC TAPE OVER THE ENDS OF THE WIRES. PLACE THE LARGE OUTER HEAT SHRINK TUBE OVER THE LH CABLE. TEMPORARILY PLASTIC WRAP THE SEMI-CON AND SCREEN WIRES ON THE RH CABLE AND CAREFULLY PARK THE INNER JOINT SLEEVE SET. COVER THE PARKED TUBES WITH PLASTIC WRAP UNTIL NEEDED.

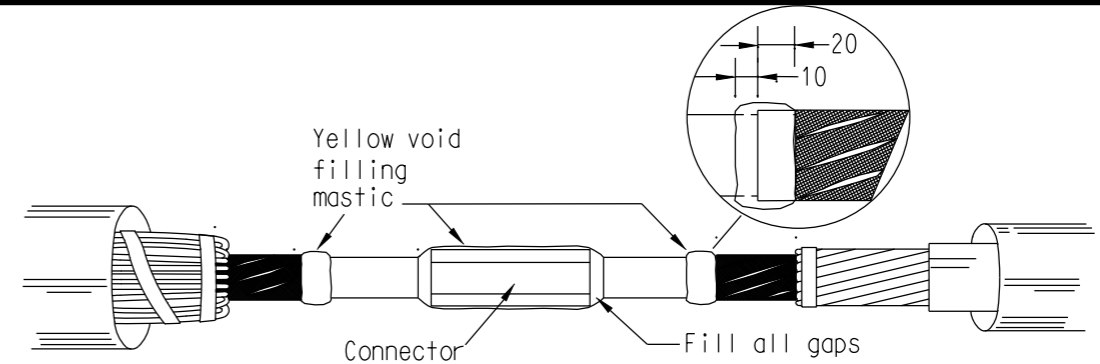
STEP 3



CUT CABLES AT THE CENTRE LINE. CAREFULLY REMOVE SEMI-CONDUCTIVE SCREEN (REFER INSTRUCTION ON DRAWING S2-2-2-21) FROM BOTH CABLES TO THE DIMENSIONS SHOWN. REMOVE INSULATION FROM CONDUCTORS FOR A DISTANCE 'X' EQUAL TO HALF THE CONNECTOR LENGTH + 5mm. CUT A 3mm (MAX) BEVEL ON THE INSULATION ENDS.

FOR STEPS 6-11 REFER DRG S2-2-2-26

STEP 4



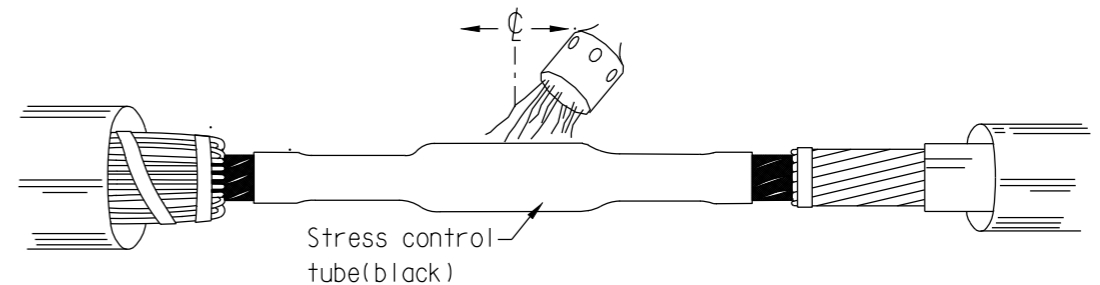
WET WIRE BRUSH (ie UNDER A LIGHT FILM OF JOINTING COMPOUND) THE CONDUCTORS. JOIN CONDUCTORS WITH THE APPROPRIATE CONNECTOR AND DIE, REMOVE ANY BURRS, AND THOROUGHLY CLEAN OFF EXCESS GREASE FROM CONNECTOR AND CABLE INSULATION. THOROUGHLY CLEAN THE CABLE INSULATION (REFER INSTRUCTION ON DRAWING S2-2-2-20). DON'T HANDLE THE INSULATION FROM NOW ON!

REMOVE ONE RELEASE PAPER FROM THE LONG YELLOW VOID FILLING STRIP & ROLL IT UP. STRETCHING IT TO HALF ITS ORIGINAL WIDTH, FILL THE GAPS BETWEEN THE CONNECTOR AND CABLE INSULATION, CONTINUING OVER THE CONNECTOR AND OVERLAPPING THE CABLE INSULATION AT EACH END BY 5mm. DON'T TOUCH THE MASTIC AFTER IT'S APPLIED! DO NOT USE TOO MUCH MASTIC. THE FINAL DIAMETER SHOULD BE ONLY SLIGHTLY GREATER THAN THE CORE CONNECTOR DIAMETER, WHICHEVER IS THE LARGER. A SMEAR OF SILICONE GREASE ON YOUR FINGERS WILL PREVENT THEM FROM STICKING TO THE MASTIC.

REMOVE THE RELEASE PAPERS FROM SHORT YELLOW VOID FILLING STRIP WITH POINTED ENDS. STRETCHING IT TO HALF OF ITS ORIGINAL WIDTH, WRAP THE VOID FILLER AROUND THE SEMI-CON SCREEN STARTING 20mm FROM THE SCREEN END CONTINUING ONTO THE INSULATION FOR 10mm.

CHECK THAT ALL SURFACES ARE CLEAN (LOOK UNDERNEATH!) AND THAT NO DIRT OR MOISTURE CAN CONTAMINATE THE INSIDE OF THE TUBES.

STEP 5



PLACE THE BLACK STRESS CONTROL TUBE CENTRALLY OVER THE JOINT. STARTING AT THE CENTRE SHRINK THE TUBE TOWARDS ONE END AND THEN TOWARDS THE OTHER END UNTIL FULLY SHRUNK. APPLY HEAT EVENLY THROUGHOUT THE PROCESS.

Don't stop for smoko now!

JOINT KIT STOCK CODES - REFER DRAWING S2-1-2-3
COMPRESSION LINKS - REFER DRAWING S2-2-2-17

NO	DESCRIPTION	DRN	DATE	CKD	APPD
2	SUPERSEDED	A.T.	DEC'12	B.C.	B.C.
1	DRAWING FRAME, TABLE & TEXT AMENDED.	RG1	MAY'98	-	FRR
AMENDMENTS					



DES		POWER STANDARD DRAWING		
DRN	J.A.L.	CABLE JOINTING & TERMINATIONS RAYCHEM JOINTING INSTRUCTIONS 11/22kV XLPE CABLE		
CKD	A.T.			
APPD	P.J.D.			
SCALE	NO SCALE			
ISSUED	DEC'95	A3	DRAWING NUMBER	S02-2-2-25
ALL DIM.	IN mm			
DRAFTING STANDARD TO A.S.1100		CAD PRODUCT - DO NOT AMEND MANUALLY		