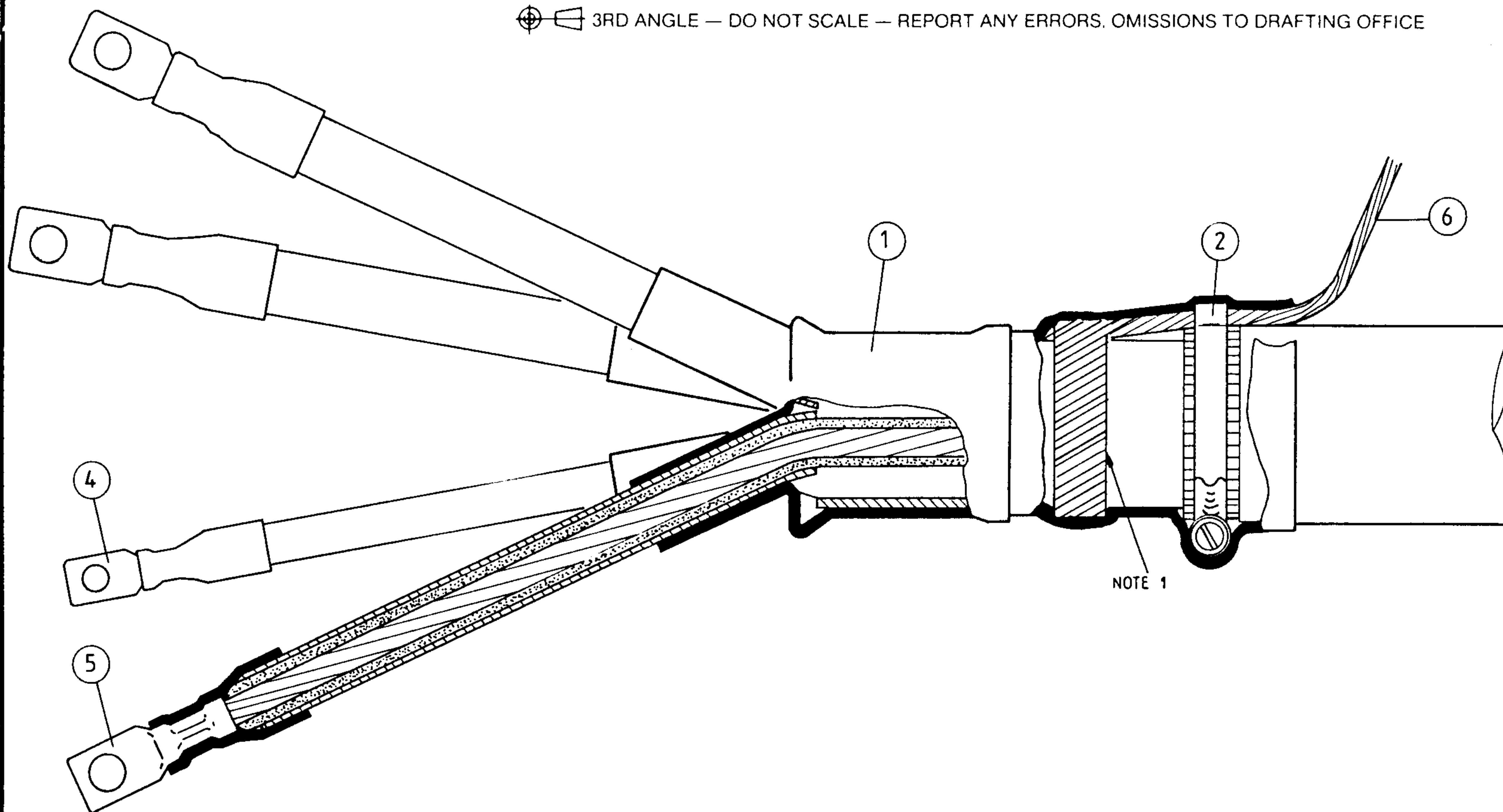


3RD ANGLE — DO NOT SCALE — REPORT ANY ERRORS, OMISSIONS TO DRAFTING OFFICE


NOTE

1. EARTHING BRAID TO BE SWEATED ON ALLROUND.



6	as req	STRAP-COPPER-EARTHING-BRAIDED	25 x 3mm	25 x 3mm	25 x 3mm	25 x 3mm
5	3	LUG-COMPRESSION-COPPER	37/1-78	37/2-52	19/1-53	19/2-14
4	1	LUG-COMPRESSION-COPPER	19/2-14	37/1-78	19/1-35	19/1-53
2	1	CLAMP-HOSE-STAINLESS STEEL	22-38mmDIA	35-44mmDIA	22-38mmDIA	22-38mmDIA
1	1	CABLE TERMINATION KIT-HEAT SHRINK-LV	120mm ²	240mm ²	50mm ²	70mm ²
No.	QTY	DESCRIPTION				

MATERIAL SCHEDULE

		POWER AND WATER AUTHORITY		DES <i>R. HAIGH</i>		N T STANDARD DRAWING	
				DRN <i>P.W.G.</i>		TITLE CABLE JOINTING & TERMINATIONS TERMINATION-HEATSHRINK-INDOOR LV PAPER LEAD 3 1/2 CORE ASSEMBLY DETAIL	
				CKD <i>Act's Manager</i>			
				APPD <i>W.H.</i>			
				ISSUED <i>4.2.86</i>		DRAWING NUMBER S2-2-2-9	
				DRAFTING STANDARD TO A.S. 1100			
2	GENERAL REVISION. TITLE & Org NUMBER CHANGED. ITEM 3 REMOVED.	11/88	<i>Q.L.Z.</i>	ALL DIM. IN mm.		A3	SCALE _____ SHEET _____
NO	AMENDMENT	DATE	INIL	POWER DIRECTORATE:			2 AMDT