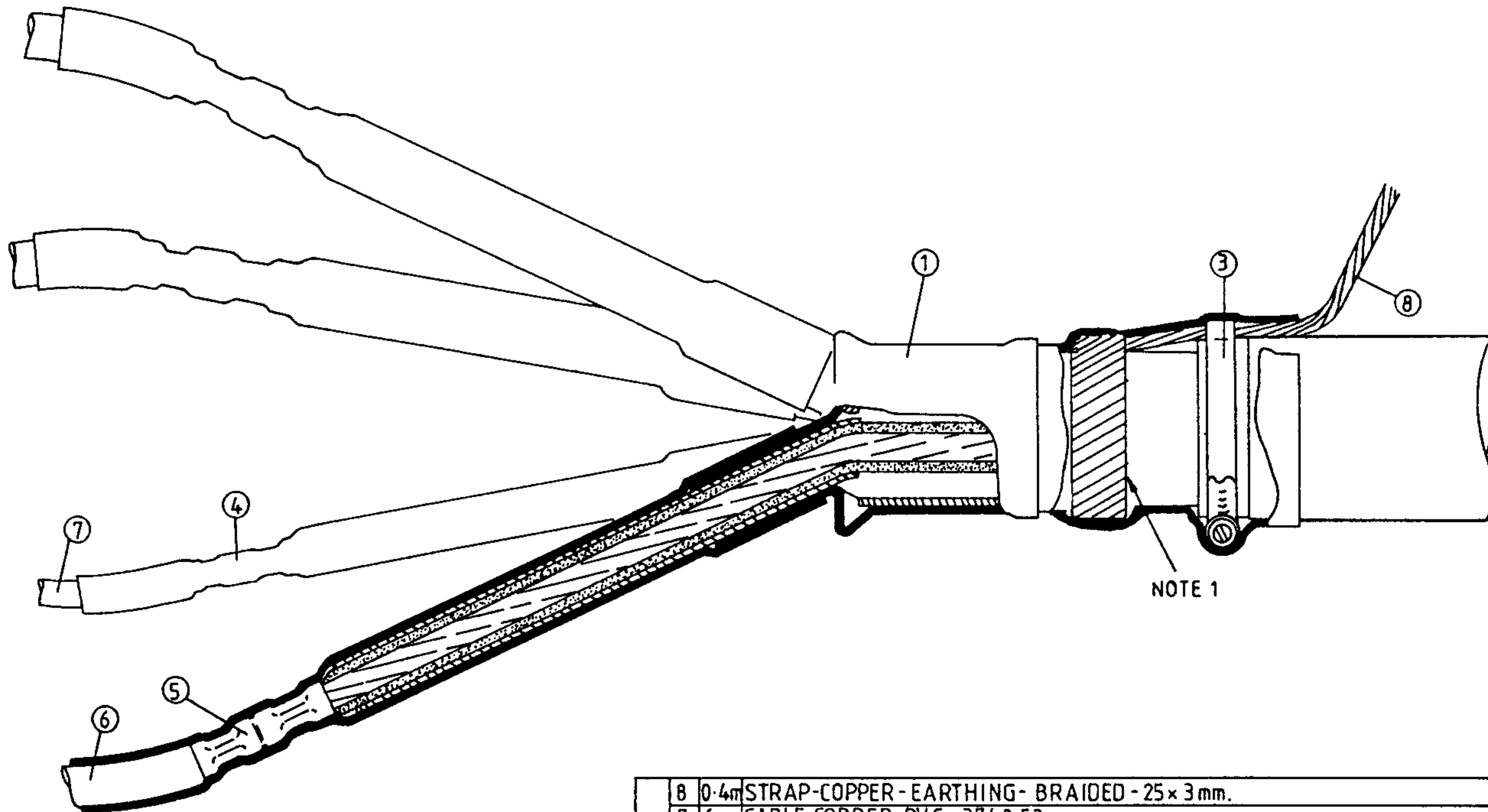


3RD ANGLE — DO NOT SCALE — REPORT ANY ERRORS, OMISSIONS TO DRAFTING OFFICE



NOTE

1. EARTHING BRAID TO BE SWEATED ON ALLROUND.



240 mm ²	8	0.4m	STRAP-COPPER-EARTHING-BRAIDED-25x3mm.
	7	6m	CABLE-COPPER-P.V.C.-37/2.52
	6	2m	CABLE-COPPER-P.V.C.-37/1.78
	5	3	LINK-COMPRESSION-COPPER-37/2.52
	4	1	LINK-COMPRESSION-COPPER-37/1.78
	3	1	CLAMP-HOSE-STAINLESS STEEL-51-70mm DIA. RANGE.
120 mm ²	1	1	CABLE-TERMINATION KIT-HEAT SHRINK-L.V.
	8	0.4m	STRAP-COPPER-EARTHING-BRAIDED-25x3mm.
	7	6m	CABLE-COPPER-P.V.C.-37/1.78
	6	2m	CABLE-COPPER-P.V.C.-19/2.14
	5	3	LINK-COMPRESSION-COPPER-37/1.78
	4	1	LINK-COMPRESSION-COPPER-19/2.14
3	1	CLAMP-HOSE-STAINLESS STEEL-35-57mm DIA. RANGE.	
1	1	CABLE TERMINATION KIT-HEAT SHRINK-L.V. OUTDOOR.	
No	QTY.	DESCRIPTION	

70 mm ²	8	0.4m	STRAP-COPPER-EARTHING-BRAIDED-25x3mm.
	7	6m	CABLE-COPPER-P.V.C.-19/2.14
	6	2m	CABLE-COPPER-P.V.C.-19/1.70
	5	3	LINK-COMPRESSION-COPPER-19/2.14
	4	1	LINK-COMPRESSION-COPPER-19/1.70
	3	1	CLAMP-HOSE-STAINLESS STEEL-35-44mm DIA. RANGE.
50 mm ²	1	1	CABLE-TERMINATION KIT-HEAT SHRINK-L.V.
	8	0.4m	STRAP-COPPER-EARTHING-BRAIDED-25x3mm.
	7	6m	CABLE-COPPER-P.V.C.-19/1.70
	6	2m	CABLE-COPPER-P.V.C.-19/1.35
	5	3	LINK-COMPRESSION-COPPER-19/1.70
	4	1	LINK-COMPRESSION-COPPER-19/2.14
3	1	CLAMP-HOSE-STAINLESS STEEL-35-44mm DIA. RANGE.	
1	1	CABLE TERMINATION KIT-HEAT SHRINK-L.V. OUTDOOR.	
No	QTY.	DESCRIPTION	

		POWER AND WATER AUTHORITY		DES R. HAIGH		NT STANDARD DRAWING	
				DRN T.E. SEDEN.		TITLE CABLE JOINTING & TERMINATIONS	
				CKD <i>Sub: Hagan</i>		TERMINATION - HEATSHRINK - OUTDOOR	
				APPD <i>well</i>		L.V. PAPERLEAD - 3.5 CORE	
				ISSUED 4.2.86		ASSEMBLY DETAIL.	
				DRAFTING STANDARD TO A.S. 1100		DRAWING NUMBER	
				ALL DIM. IN mm		A3 S2-2-2-8	
				SCALE N.T.S.		SHEET —	
							
						AMD.T.	
2	GENERAL REVISION. TITLE & Drg NUMBER CHANGED. ITEM 2 REMOVED.			11/88	<i>all</i>		
NO	AMENDMENT			DATE	INIL		