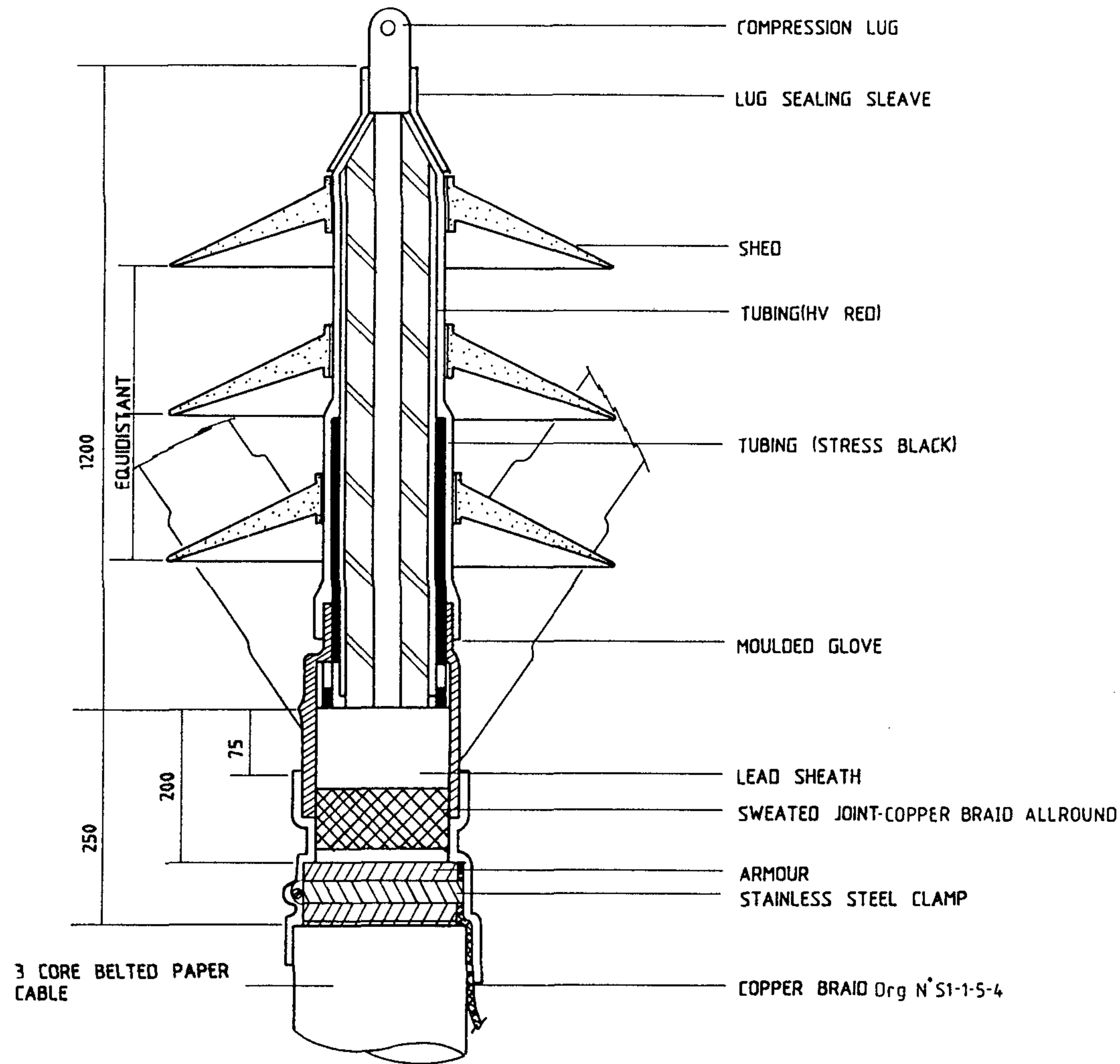


3RD ANGLE — DO NOT SCALE — REPORT ANY ERRORS, OMISSIONS TO DRAFTING OFFICE



MATERIAL SCHEDULE			
	DESCRIPTION	DRG.No.	STOCK C.
185mm KIT	HEATSHRINK 11KV TERMINATION KIT	S2-1-2-13	3749
	CLAMP - HOSE - STAINLESS STEEL 51-70mm		5751
	EARTH STRAP TINNED COPPER BRAID 25x3x450mm	S1-1-5-4	11916
50mm KIT	HEATSHRINK 11KV TERMINATION KIT	S2-1-2-13	3715
	CLAMP - HOSE STAINLESS STEEL 35-57mm		3736
	EARTH STRAP TINNED COPPER BRAID 25x3x450mm	S1-1-5-4	11916

NOTE: 1. STRIP BACK TAPE, BEDDING, ARMOUR AND SERVICING, TO DIMENSIONS SHOWN AND APPLY EARTH STRAP, HOSE CLAMP AND HEATSHRINK CABLE SLEEVE, BEFORE PROCEEDING ACCORDING TO INSTRUCTION SHEET SUPPLIED WITH TERMINATION KIT.

2. MATERIAL :- HEATSHRINK POLYOLEFIN

					DES <i>R.HAIGH</i>	N T STANDARD DRAWING	
					DRN <i>P.W.9</i>	TITLE CABLE JOINTING & TERMINATIONS TERMINATION-HEATSHRINK-OUTDOOR 11KV-BELTED ASSEMBLY DETAILS	
				CKD <i>Sch. P. Singh</i>	APPD <i>W.P.</i>	ISSUED 4.2.86	
				DRAFTING STANDARD TO A.S. 1100		A3	DRAWING NUMBER S2-2-2-2
3 GENERAL REVISION. TITLE & Drg NUMBER CHANGED. STOCK CODES & Ref. Drg. NUMBERS ADDED.		6/82	<i>QLJ</i>	POWER DIRECTORATE		ALL DIM. IN mm.	SCALE _____ SHEET _____
No.	AMENDMENTS	DATE	INAL				AMDT.