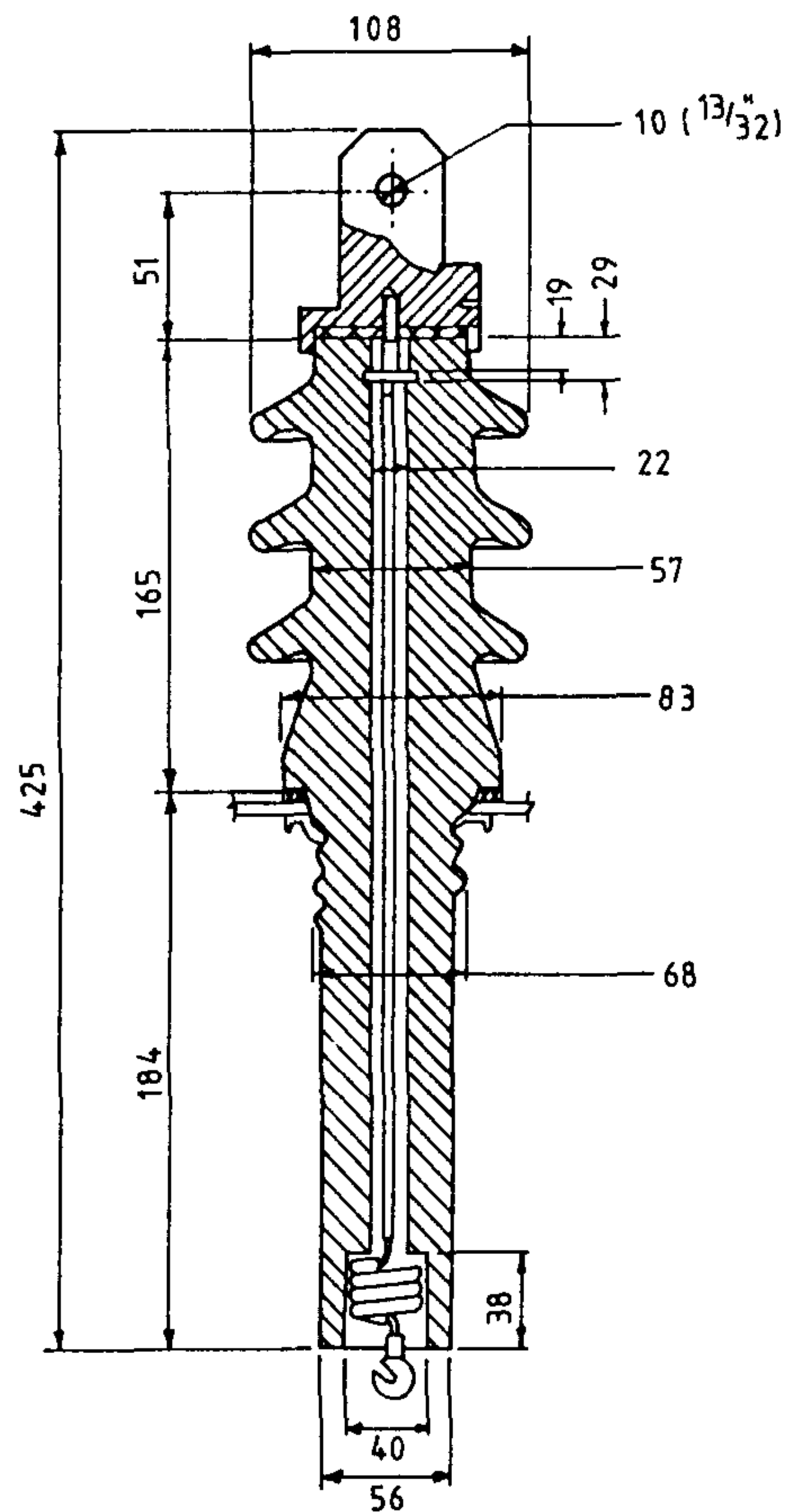
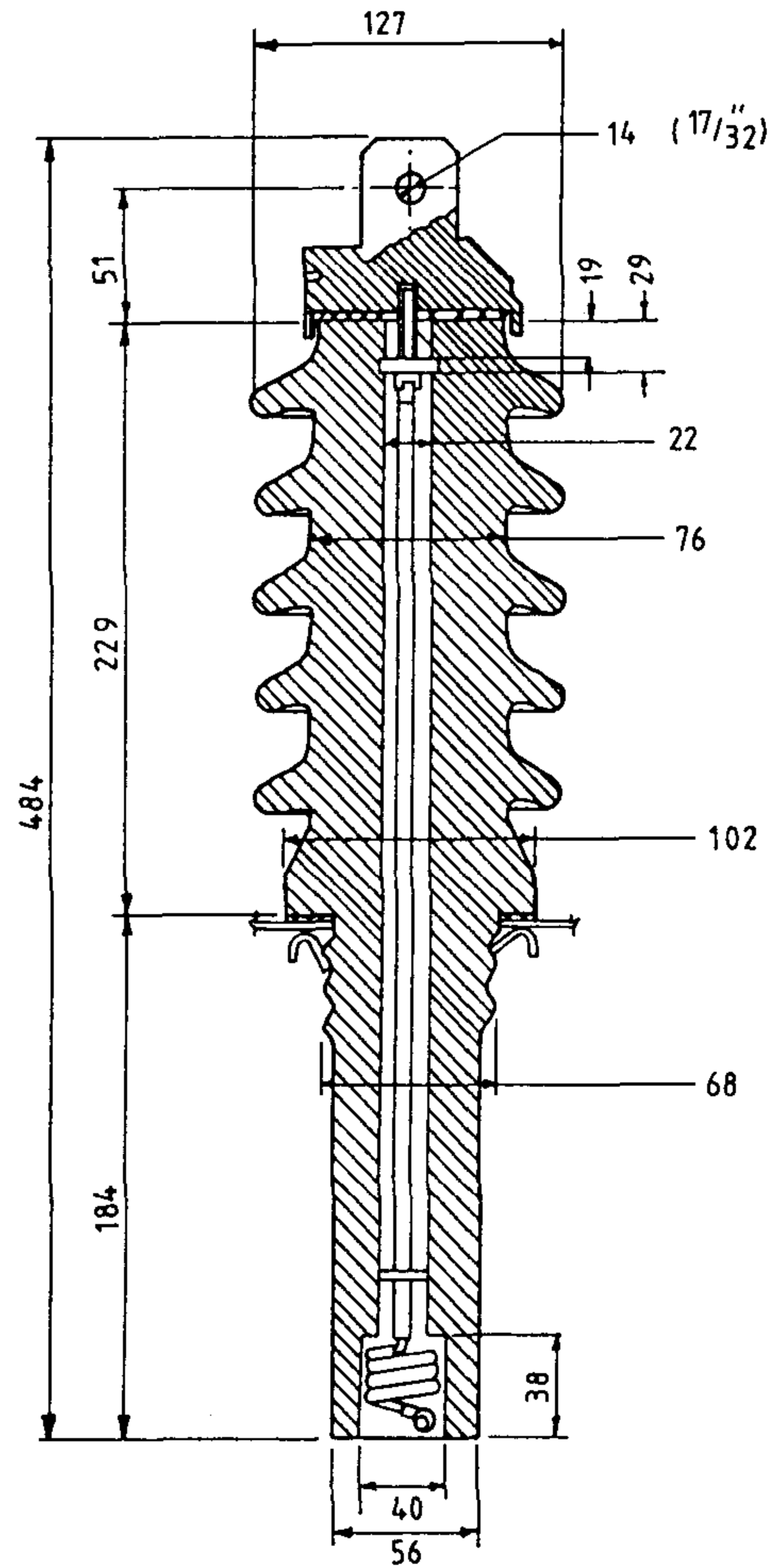


3RD ANGLE — DO NOT SCALE — REPORT ANY ERRORS, OMISSIONS TO DRAFTING OFFICE



ITEM 1
11kV



ITEM 2
22kV

2	114975	22 kV	TB 77S
1	114967	11 kV	TB 75S
ITEM	STOCK CODE	VOLTAGE	NILSEN CAT. N°

MATERIAL:
PORCELAIN GLAZED MUNSSELL GREY

N°	DESCRIPTION	DATE	INT'L
4	TITLE & Drg NUMBER CHANGED	5/88	Qls
3	ITEM & STOCK CODES ADDED	01.87	Best
1	REDRAWN & REVISED	1-85	TR.

AMENDMENTS

POWER AND WATER AUTHORITY



POWER DIRECTORATE

DES R. HAIGH
DRN S. SANDERS
CKD *S. Sanders*
APPD *W. H. H.*
ISSUED 4.2.86

DRAFTING STANDARD TO A.S. 1100
ALL DIM. IN mm

N T STANDARD DRAWING
TITLE TRANSFORMERS BUSHING HV

A3 DRAWING NUMBER S2-1-6-3

SCALE NTS

SHEET —



AMD.T.