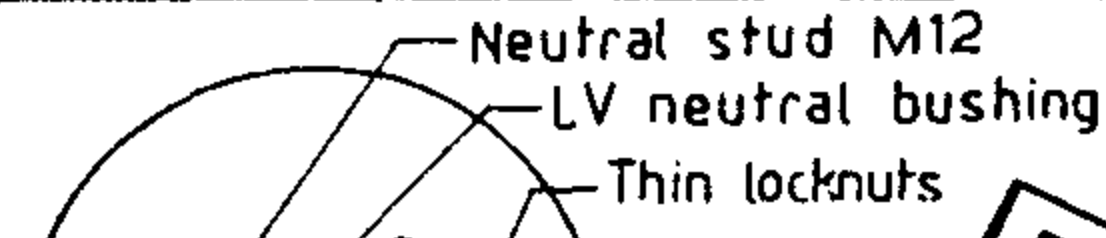
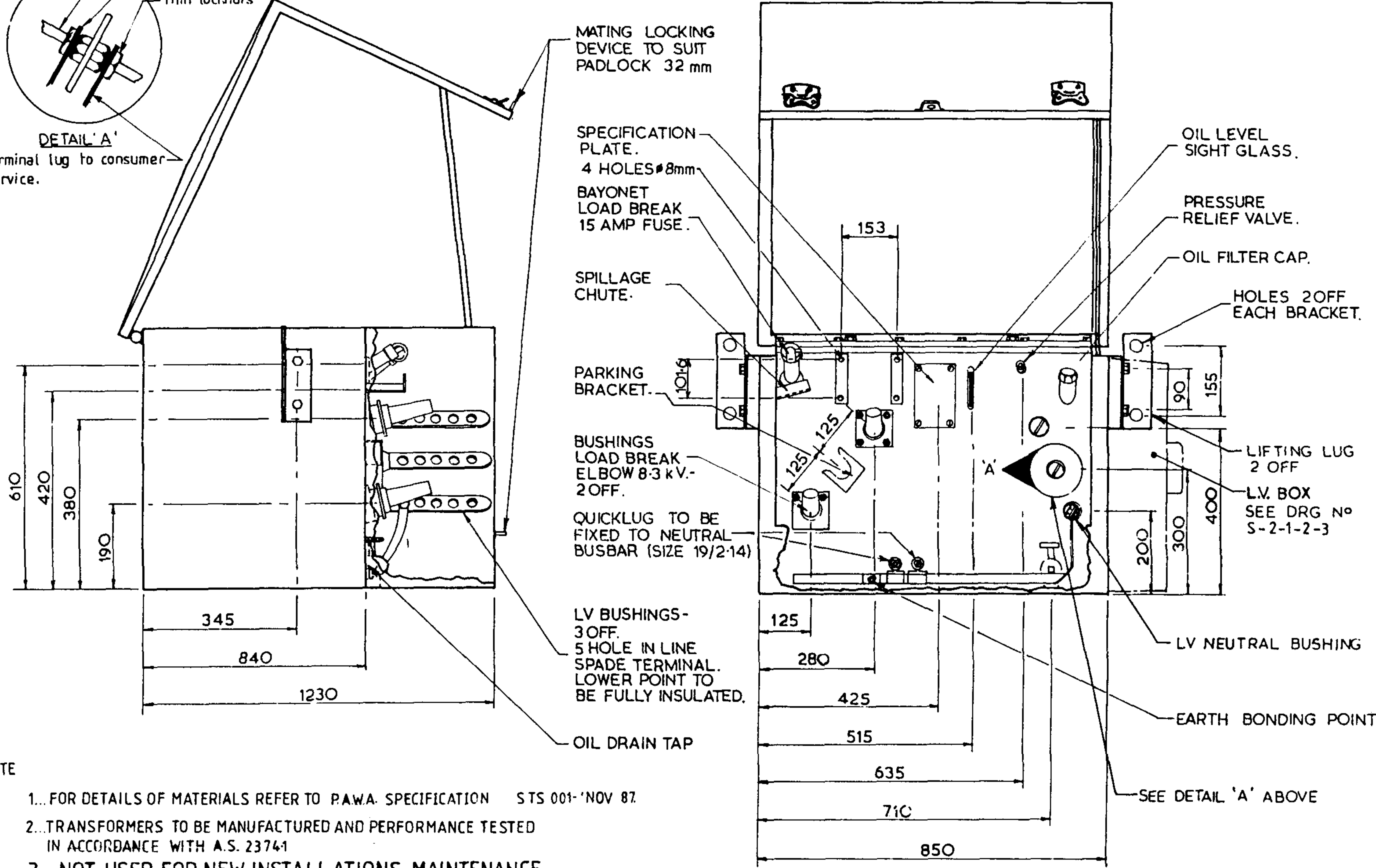


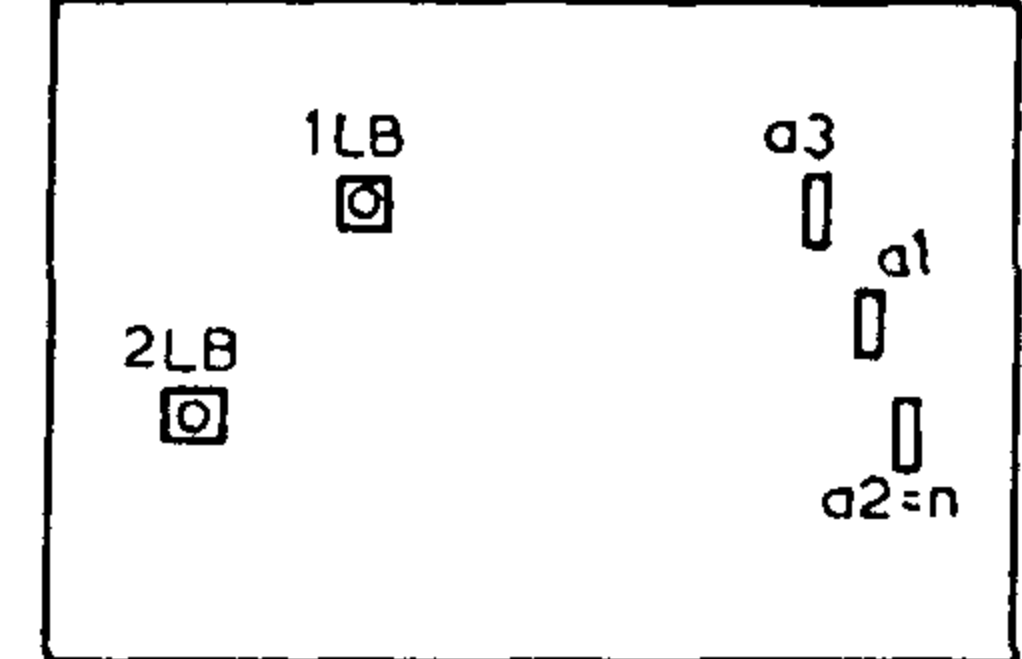
3RD ANGLE — DO NOT SCALE — REPORT ANY ERRORS, OMISSIONS TO DRAFTING OFFICE



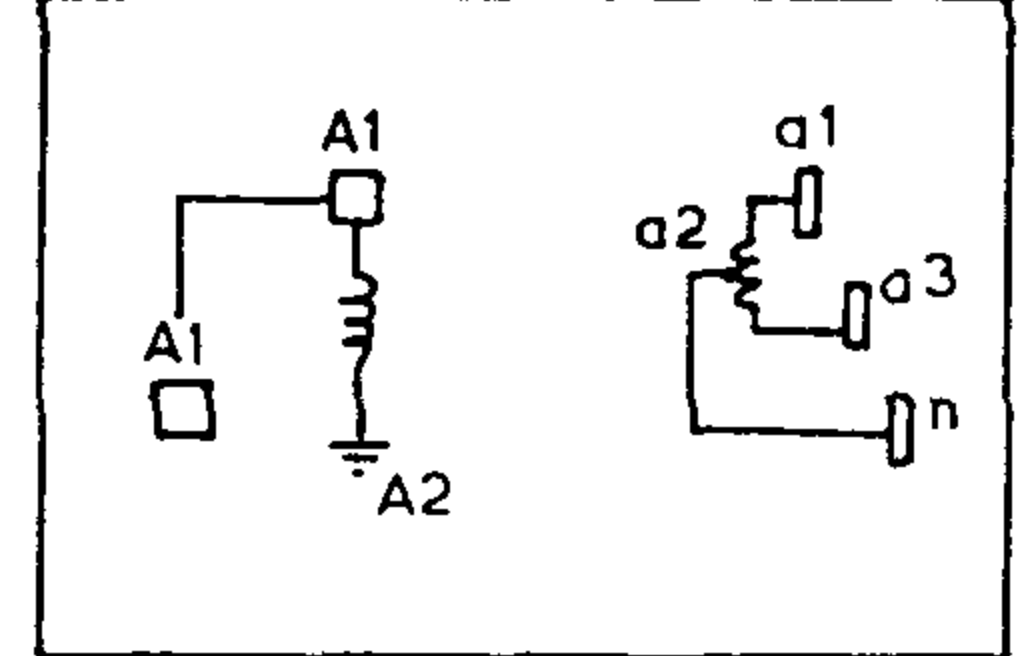
DETAIL 'A'
Terminal lug to consumer service.



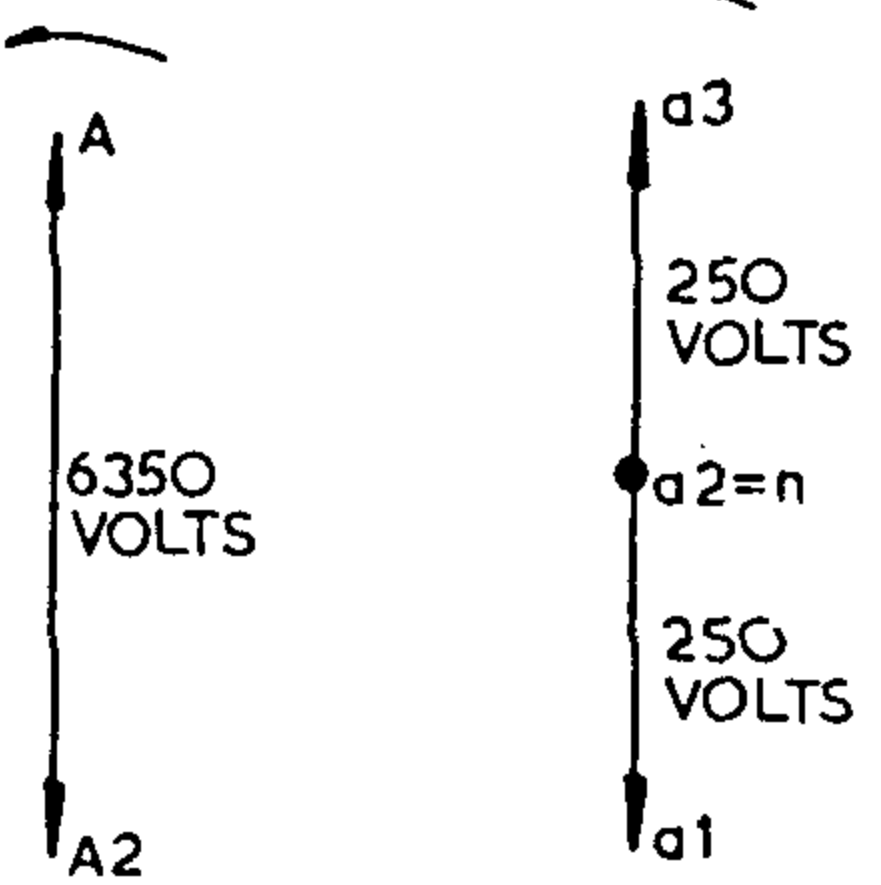
TERMINAL MARKING



WINDING CONNECTION



VECTOR DIAGRAMS



- NOTE
- 1... FOR DETAILS OF MATERIALS REFER TO P.A.W.A. SPECIFICATION STS 001-NOV 87.
 - 2... TRANSFORMERS TO BE MANUFACTURED AND PERFORMANCE TESTED IN ACCORDANCE WITH A.S. 23741
 - 3... NOT USED FOR NEW INSTALLATIONS MAINTENANCE PURPOSES ONLY

	DES D. BIRKETT.	NT STANDARD DRAWING	
	DRN W. CHIN.	TITLE TRANSFORMERS	
	CKD J. Hassane	SINGLE PHASE	
	APPD [Signature]	50kVA-11kV	
ISSUED 23-4-80	CONSTRUCTION DETAILS		
DRAFTING STANDARD TO A.S. 1100	A3	DRAWING NUMBER S2-1-6-2	
ALL DIM. IN mm	SCALE NOT TO SCALE	SHEET	

Nº	AMENDMENT DESCRIPTION	DATE	INIT.	APPD Nº	AMENDMENT DESCRIPTION	DATE	INIT.	APPD
2	TITLE & Drg NUMBER CHANGED	5/88	QIT					
1	GENERAL REVISION	1/85	TR.					