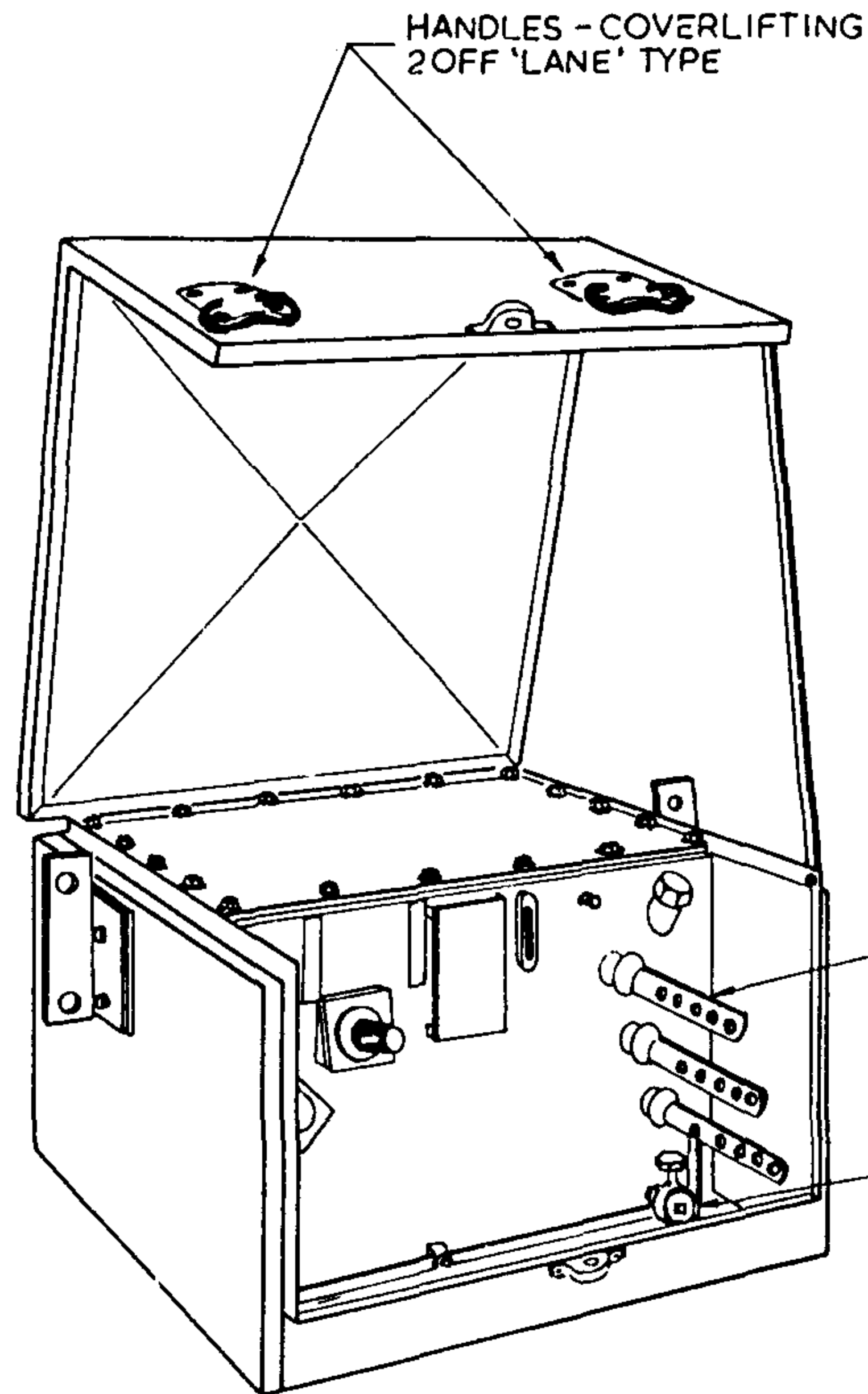


3RD ANGLE — DO NOT SCALE — REPORT ANY ERRORS, OMISSIONS TO DRAFTING OFFICE



EXTERIOR PERSPECTIVE VIEW

SPECIFICATION PLATE

BAYONET LOAD BREAK 15 AMP FUSE

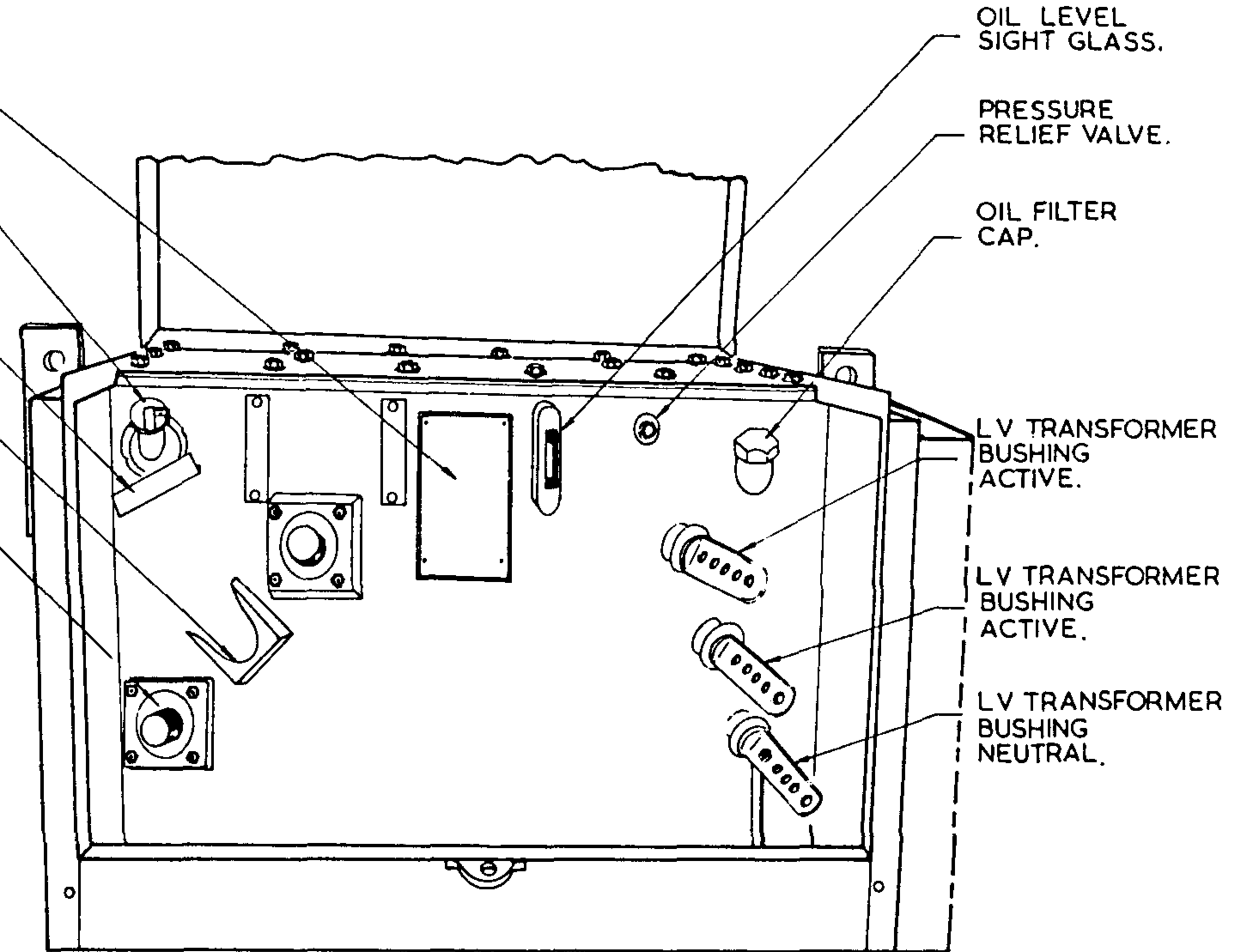
SPILLAGE CHUTE

PARKING BRACKET

BUSHINGS LOAD BREAK ELBOW 8.3 k.V. 2 OFF.

LV BUSHINGS 3 OFF 5 HOLE IN LINE SPADE TERMINAL. LOWER POINT TO BE FULLY INSULATED.

OIL DRAIN TAP.



INTERIOR PERSPECTIVE VIEW

OIL LEVEL SIGHT GLASS.

PRESSURE RELIEF VALVE.

OIL FILTER CAP.

LV TRANSFORMER BUSHING ACTIVE.

LV TRANSFORMER BUSHING ACTIVE.

LV TRANSFORMER BUSHING NEUTRAL.

LV BOX SEE DRG NO S2-1-6-2

NOTE:

1. FOR DETAILS OF MATERIALS REFER TO P.A.W.A. SPECIFICATION S T S 001-NOV-82
- 2... FOR ADDITIONAL INFORMATION REFER TO DRG. NO S2-1-6-2.
- 3... NOT USED FOR NEW INSTALLATIONS MAINTENANCE PURPOSES ONLY.

Nº	AMENDMENT DESCRIPTION	DATE	INIT	APPD Nº	AMENDMENT DESCRIPTION	DATE	INIT	APPD
2	TITLE & Drg NUMBER CHANGED	5/88	QJH					
1	GENERAL REVISION	1/85	TR	RJA				

<p>POWER AND WATER AUTHORITY</p> <p>POWER DIRECTORATE</p>	DES D. BIRKETT.	N T STANDARD DRAWING		
	DRN W. CHIN.	TITLE	TRANSFORMERS SINGLE PHASE 50KVA-11KV GENERAL ARRANGEMENT	
	CKD J. Hassard	DRAWING NUMBER	S2-1-6-1	
	APPO J. Hassard	A3		
ISSUED 6.3.80	DRAFTING STANDARD TO A.S. 1100	SCALE	SHEET	
	ALL DIM. IN mm		AMDT.	